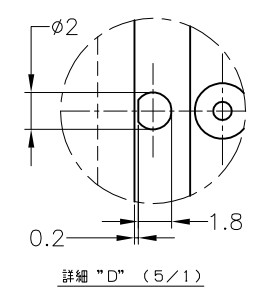
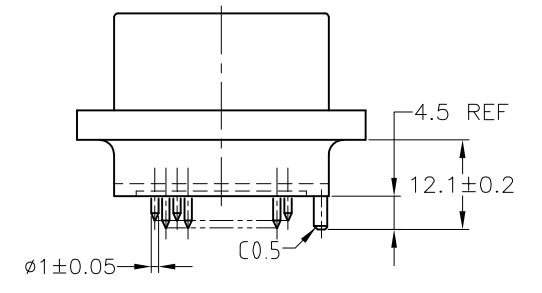
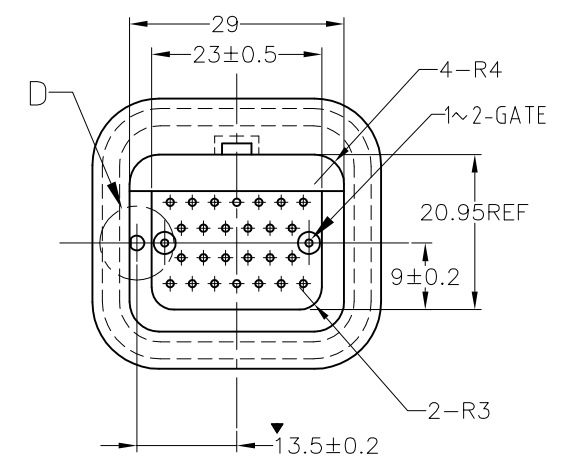
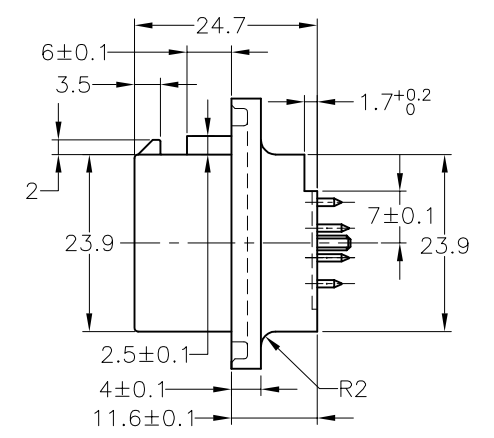
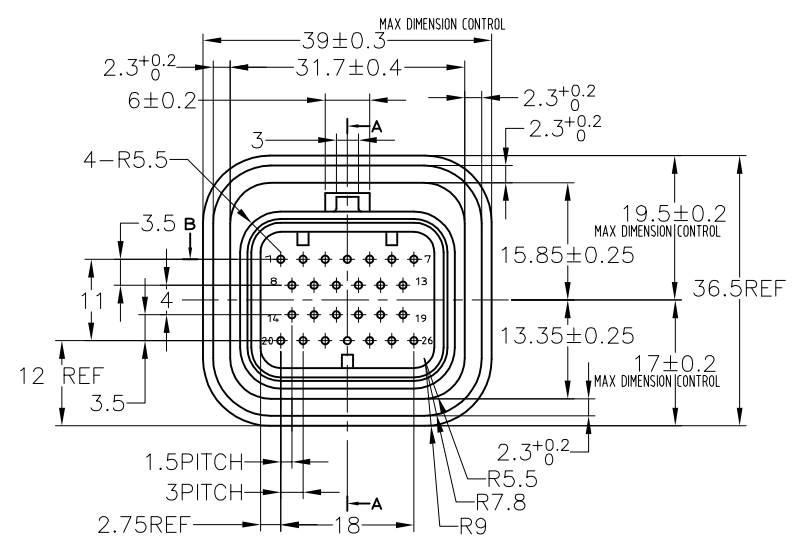
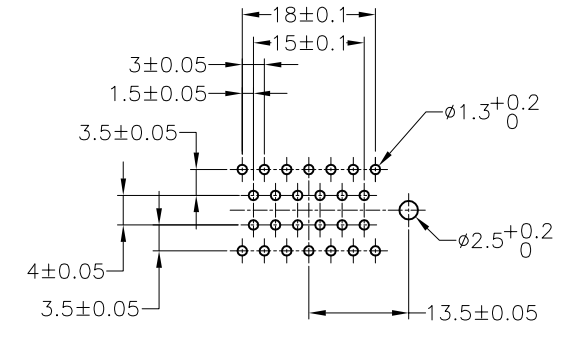
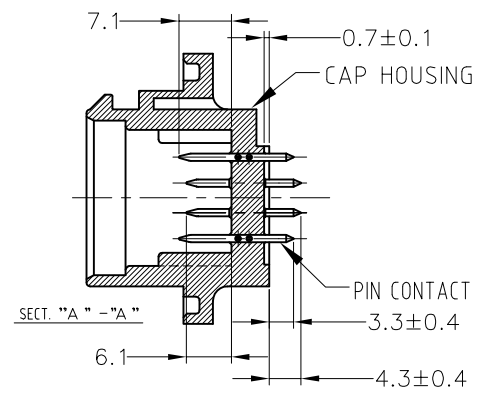
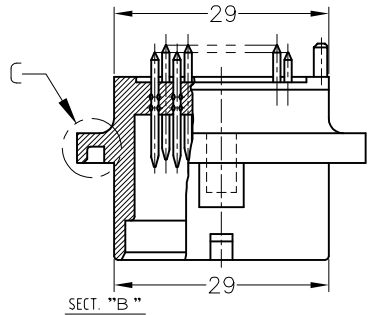
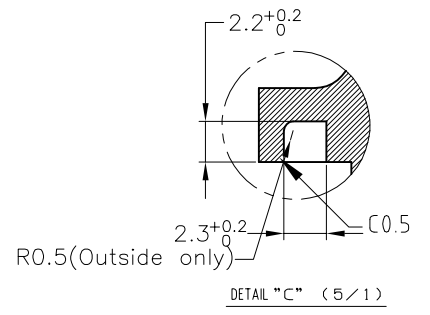


LOC		DIST		REVISIONS			
J		-		REV	DESCRIPTION	DATE	BY
				A2	REVISED	ECR-15-008111	01JUN2015 TS KB

(RECOMMENDED P.C.BORD DIMENSION, TOLERANCE±0.1)
 プリント基板推奨ホールパターン、公差±0.1



NOTES, 1.GENERAL TOLERANCE : ± 0.3
 DRAFT ANGLE : ± 1 MAX*
 ALL UNSPECIFIED RADII : R0.5
 ALL UNSPECIFIED THICKNESS : 15
 2.MATERIAL
 CAP HOUSING : THERMOPLASTIC POLYESTER
 PIN CONTACT : BRSS
 3.CRITICAL DIMENSIONS:▼

REV	DESCRIPTION	DATE	BY	CHK	APPROV
1	INITIAL RELEASE	01JUN2015	TS	KB	
2	REVISED				

REV	DESCRIPTION	DATE	BY	CHK	APPROV
1	INITIAL RELEASE	01JUN2015	TS	KB	
2	REVISED				

REV	DESCRIPTION	DATE	BY	CHK	APPROV
1	INITIAL RELEASE	01JUN2015	TS	KB	
2	REVISED				

REV	DESCRIPTION	DATE	BY	CHK	APPROV
1	INITIAL RELEASE	01JUN2015	TS	KB	
2	REVISED				

THIS DRAWING IS A CONTROLLED DOCUMENT.

DWG: A YAMAGUCHI 24SEP02
 CHK: K. BETSUI 24SEP02
 NAME: K. BETSUI
 PRODUCT SPEC: 108-78140
 APPLICATION SPEC: 1437288-6

TE Connectivity
 WATER SEALED CONNECTOR
 CAP HOUSING 26POS ASSEMBLY

SIZE: A1 CAGE CODE: 1437288-6 DRAWING NO: 108-78140
 WEIGHT: -
 SCALE: 2:1 SHEET: 1 OF 1 REV: A2