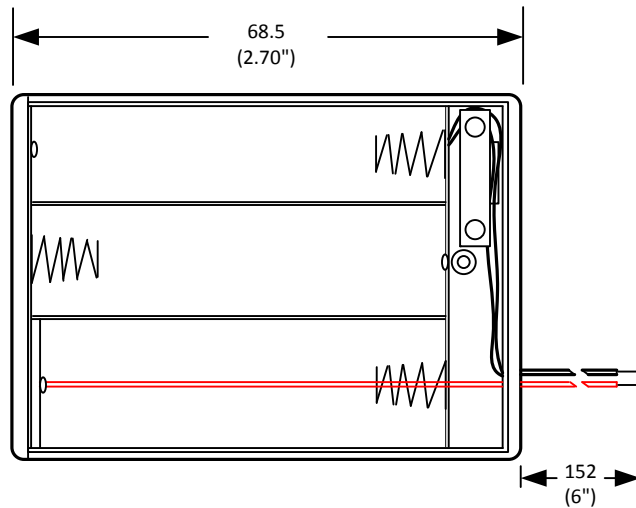
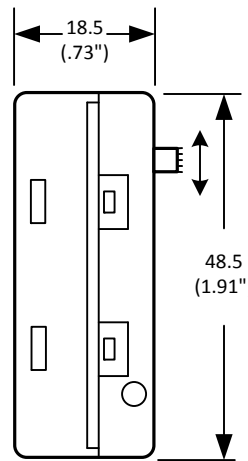


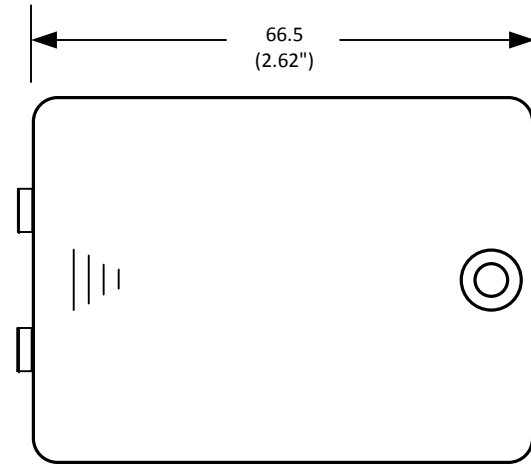
| DATE | SYM | REVISION RECORD | AUTH | DR. | CK. |
|----------|-----|---|------|------|-----|
| 4/22/06 | A | ADDED "ROHS COMPLIANT" | T.B. | B.S. | |
| 08/17/12 | B | ADDED FLAMMABILITY RATING AND TEMP. RANGE | T.B. | B.S. | |
| 05/17/13 | C | UPDATED TO ROHS 2 COMPLIANT | T.B. | B.S. | |
| | | | | | |
| | | | | | |



HOLDER



END VIEW



COVER

SPECIFICATIONS:

ITEM NO. : SBH-331AS

WIRE : UL 1007, #26 AWG
 BLACK & RED : 150 MM ± 5MM
 STRIP & TIN : 5 MM ± 1MM


MATERIAL: A.B.S. RESIN, UL94-HB
 BLACK COLOR

SPRING : .6 MM 65C SPRING WIRE
 TEMPERATURE RANGE: -40°F TO +170°F

DESCR. : FOR THREE "AA" CELLS WITH
 SLIDING SWITCH, COVER & SCREW
 SERIES CONNECTION, 4.5 VOLTS

ROHS 2 COMPLIANT

Note: Dimensions in mm. (inches)

| | | | |
|--|--|-----------------------------|--|
| TOLERANCES (EXCEPT AS NOTED) |  Memory Protection Devices, Inc. 200 Broad Hollow Road, Farmingdale, New York 11735 | | |
| DECIMAL + .5 (.020) - .5 (.020) | SCALE | DRAWN BY S.C. | |
| FRACTIONAL + .8 (.030) - .8 (.030) | APPROVED BY | | |
| ANGULAR + 3° - 3° | DATE 05/17/2013 | DRAWING NUMBER SBH-331AS | |
| TITLE 3 CELL AA HOLDER WITH COVER & SWITCH | | | |