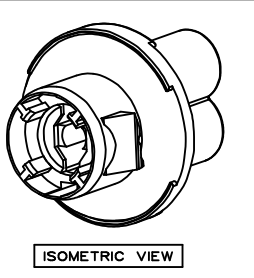
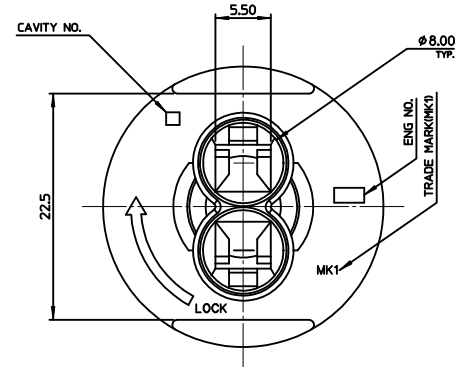
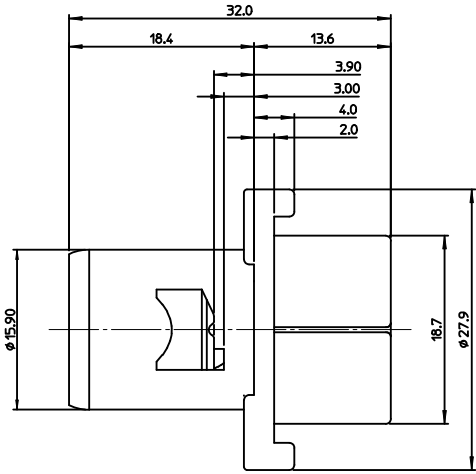
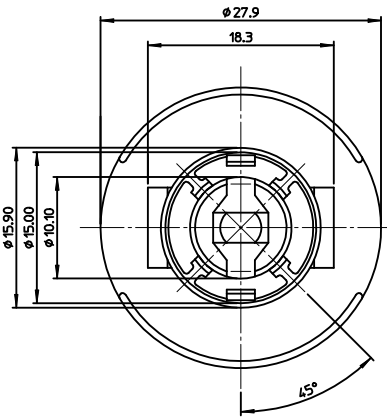


VIEW "V"

SOCKET PLUG HOLE

VIEW "W"



ISOMETRIC VIEW

- NOTES
1. MATERIAL: POLYAMIDE(PA66), MINERAL FILLED, UL94HB, COLOR,GRAY
  2. PRODUCT SPECIFICATION: PS-49505-001
  3. APPLICABLE TERMINAL: 35477-9002
  4. APPLICABLE WEDGE BULB CAP: W16W(W2.1X9.5d)
  5. FOCAL LENGTH: 26.5mm

<TABLE 1>

MATERIAL NO.	ORDER NO.	REMARK
495051205	49505-1205	GRAY

SCALE	DESIGN UNITS	THIRD ANGLE PROJECTION
4:1	METRIC	

UNSEALED W16W BULB  
SOCKET 2P  
(SOCKET LENGTH=32.0MM)

MOLEX INCORPORATED	DOCUMENT NO.	SHEET NO.
	SD-49505-003	1 OF 1

REVISED	DESCRIPTION	QUALITY SYMBOLS		GENERAL TOLERANCES (UNLESS SPECIFIED)		DIMENSION STYLE	
		mm	INCH	mm	INCH	MM ONLY	DATE
1	2010/08/11	0	0	± 0.20	± 0.008	MM ONLY	2009/07/17
2	2010/08/13	0	0	± 0.20	± 0.008	MM ONLY	2009/07/17
3	2010/08/13	0	0	± 0.20	± 0.008	MM ONLY	2009/07/17
4	2010/08/13	0	0	± 0.20	± 0.008	MM ONLY	2009/07/17

DRAFT WHERE APPLICABLE MUST REMAIN WITHIN DIMENSIONS

SEE TABLE 1

THIS DRAWING CONTAINS INFORMATION THAT IS PROPRIETARY TO MOLEX INCORPORATED AND SHOULD NOT BE USED WITHOUT WRITTEN PERMISSION