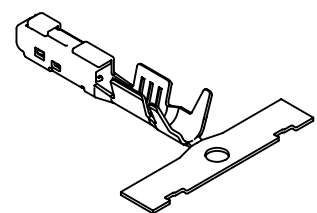
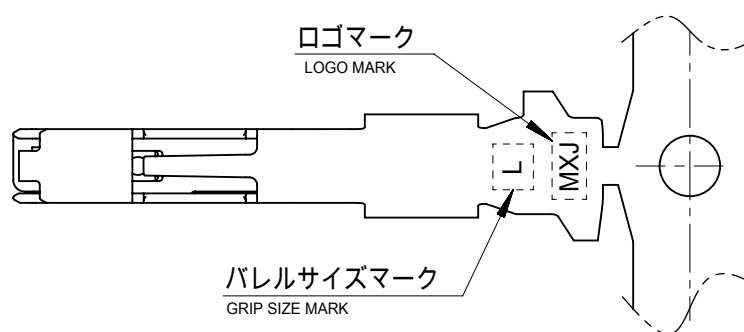
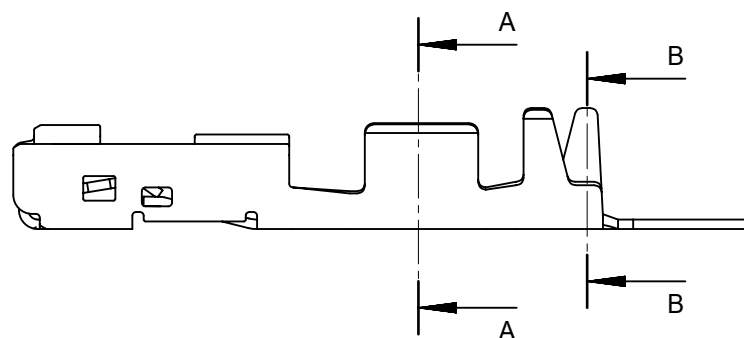
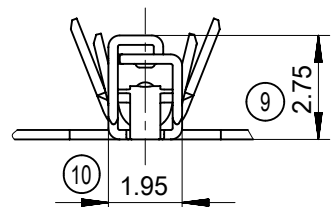
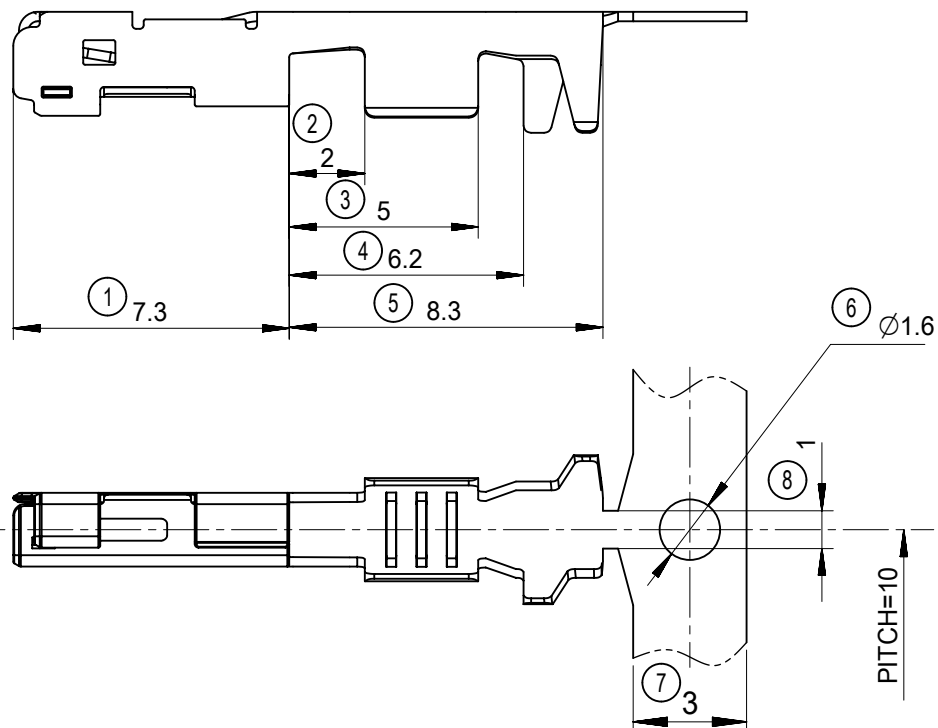


# CONFIDENTIAL

※管理者以外のコピー及び配布を禁ずる



(2:1)

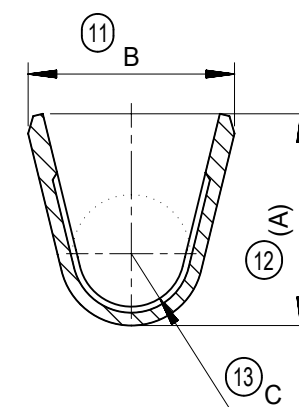


### 注記

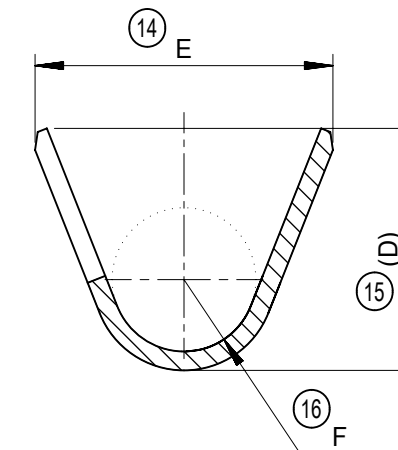
- 一般公差  
 $< 10 : \pm 0.3$   
 $10 \leq < 30 : \pm 0.4$   
 $30 \leq : \pm 0.5$   
 ANGULAR :  $\pm 5^\circ$
- 材質：銅合金
- めっき仕様：すずめっき
- 圧着規格  
 弊社圧着仕様書に準拠すること。  
 圧着仕様書：AS-560205-001
- ELV及びRoHS適合品

### NOTES:

- GENERAL TOLERANCES  
 $< 10 : \pm 0.3$   
 $10 \leq < 30 : \pm 0.4$   
 $30 \leq : \pm 0.5$   
 ANGULAR :  $\pm 5^\circ$
- MATERIAL : COPPER ALLOY
- PLATING : Tin PLATING
- CRIMP STANDARD  
 IT IS BASED ON MOLEX CRIMP STANDARD.  
 CRIMP SPECIFICATION : AS-560205-001
- ELV & RoHS COMPLIANT

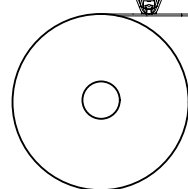
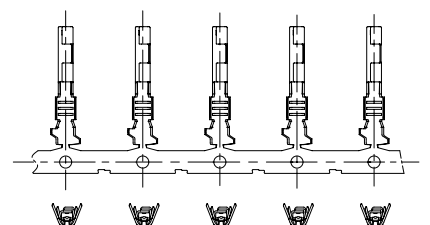


SECTION A-A  
SCALE 10:1



SECTION B-B  
SCALE 10:1

製品取り出し方向  
DIRECTION OF PRODUCT TAKING OUT



製品番号 PART NO.	バレル サイズ GRIP SIZE	適応電線 APPLICABLE WIRE		寸法 / DIMENSION					
				A	B	C	D	E	F
560205-0102	S	CIVUS , AVSS , AVSSH AESSX , IVSSH , FLYW-B	0.5 (f)	(2.2)	2.4	R0.5	(2.45)	2.94	R0.7
560205-0103	M	CIVUS AVSS	0.75 , 1.25 0.85 , 1.25	(2.8)	2.73	R0.7	(2.73)	3.46	R0.9
560205-0101	L	AVSSH , AESSX , IVSSH FLRYW-B	0.75f , 1.25f 0.75	(2.8)	2.73	R0.7	(3.2)	3.94	R0.95

SYMBOLS DIMENSION UNITS SCALE	THIS DRAWING CONTAINS INFORMATION THAT IS PROPRIETARY TO MOLEX ELECTRONIC TECHNOLOGIES, LLC AND SHOULD NOT BE USED WITHOUT WRITTEN PERMISSION	CURRENT REV DESC:				
		mm	5:1		EC NO: 603294 DRWN: GABE 2018/07/03 CHK'D: TIIDA01 2018/08/23 APPR: TOSADA 2018/08/23	
GENERAL TOLERANCES (UNLESS SPECIFIED)		INITIAL REVISION:		CTX-J 100 RECEPTACLE TERMINAL SEALED		
ANGULAR TOL		DRWN: TIIDA01 2014/06/04 APPR: MAYAMAMOTO 2015/11/09			PRODUCT CUSTOMER DRAWING	
4 PLACES		DRAWING		DOCUMENT NUMBER		
3 PLACES		SERIES		DOC TYPE		
2 PLACES		MATERIAL NUMBER		DOC PART		
1 PLACE		CUSTOMER		REVISION		
0 PLACES		SHEET NUMBER				
DRAFT WHERE APPLICABLE MUST REMAIN WITHIN DIMENSIONS	THIRD ANGLE PROJECTION	DRAWING	SERIES	MATERIAL NUMBER	CUSTOMER	SHEET NUMBER
		A3-SIZE	560205	SEE TABLE	GENERAL MARKET	1 OF 1