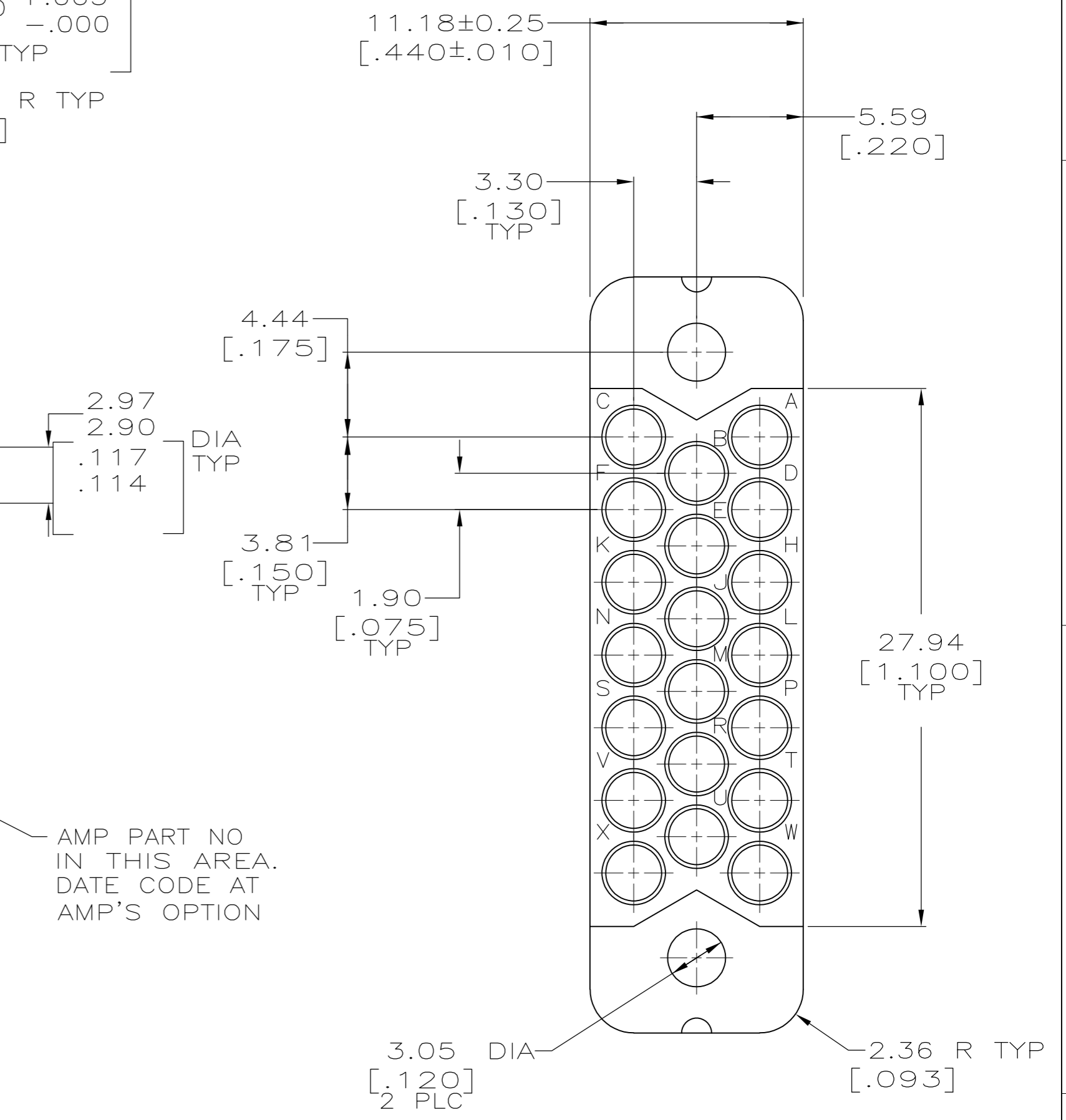
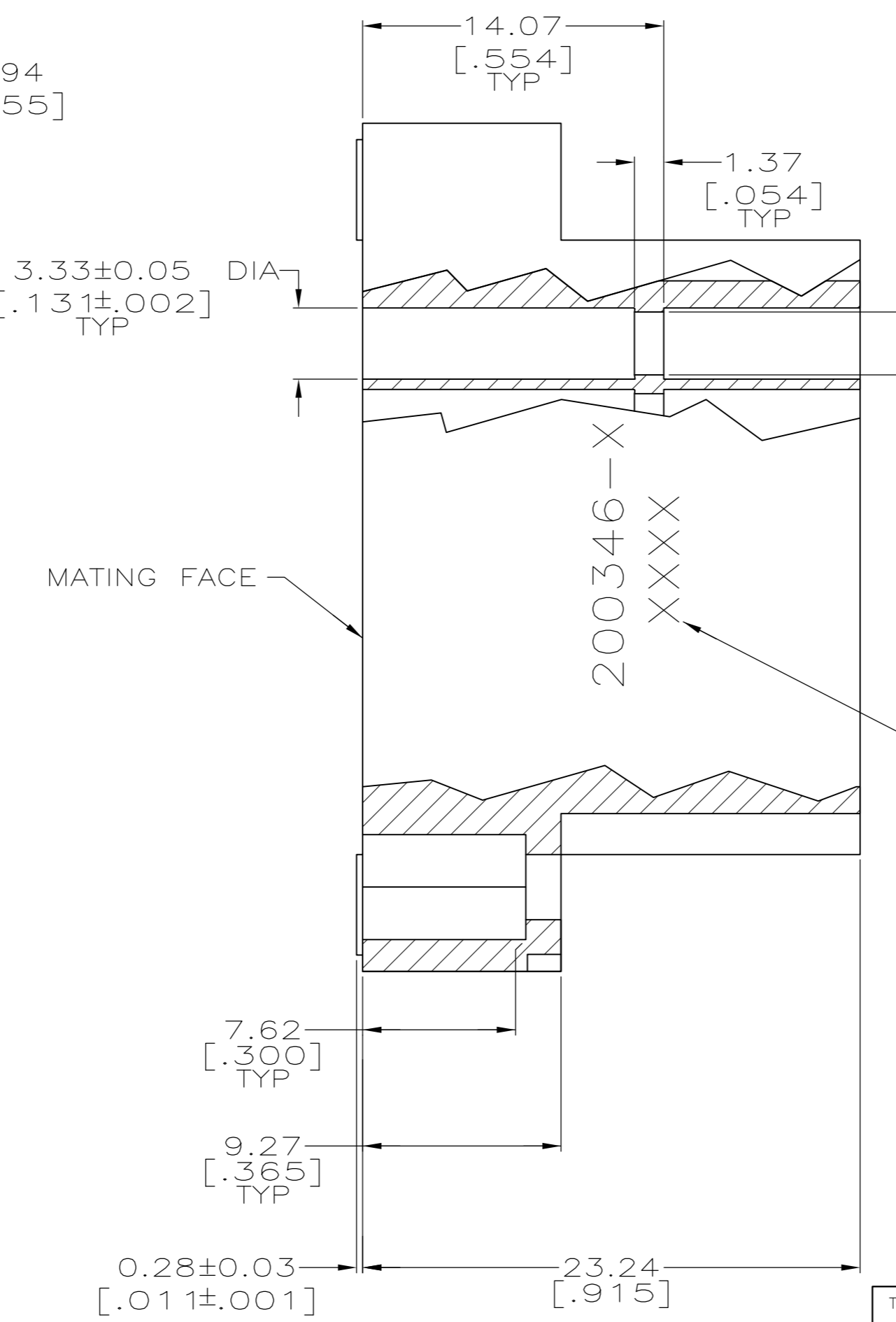
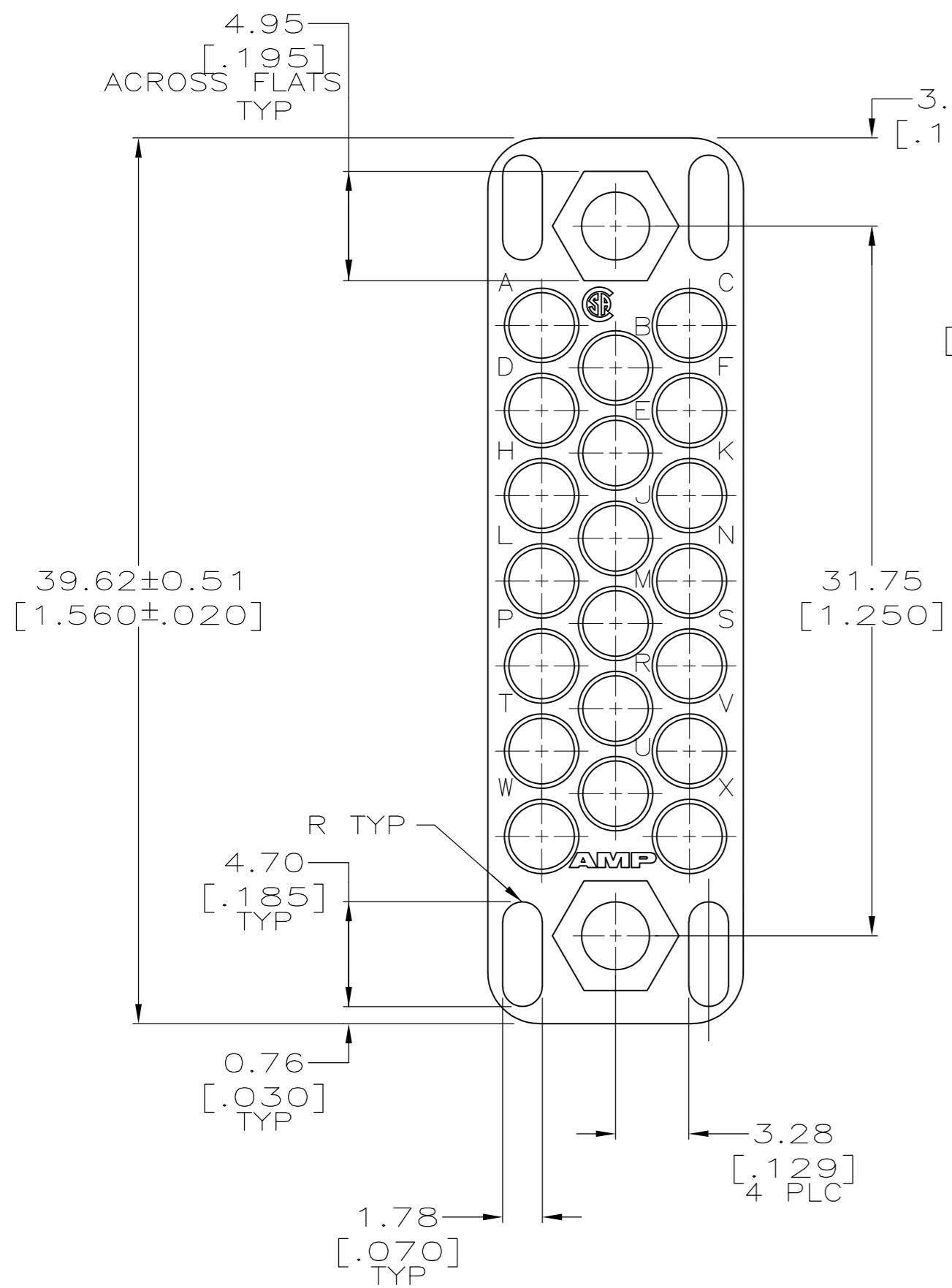
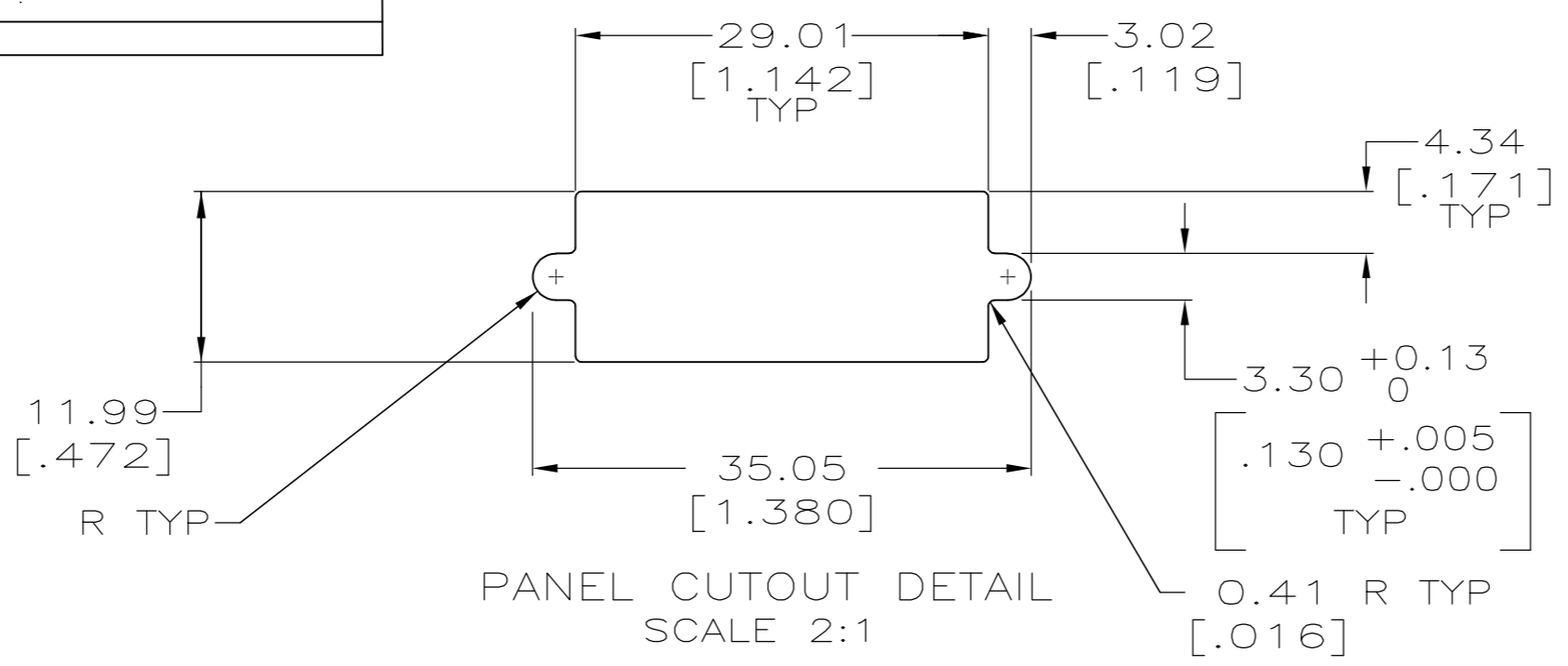


THIS DRAWING IS UNPUBLISHED. RELEASED FOR PUBLICATION
 © COPYRIGHT - By - ALL RIGHTS RESERVED.

REVISIONS					
P	LTR	DESCRIPTION	DATE	DWN	APVD
W1		REVISED PER ECO-16-004000	27SEP2016	NK	MZ



- 1 PHENOLIC PER MIL-M-14, TYPE CFG, BLACK.
- 2 DIALYL PHTHALATE PER MIL-M-14, TYPE SDG-F, BLUE.
- 3. WHEN MATING WITH BLOCK 201356, ACCOMODATES TYPE II, TYPE III+ OR TYPE VI #16 PIN OR SOCKET CONTACTS.

OBSOLETE	2	200346-4
	1	200346-2
MATERIAL		PART NUMBER

THIS DRAWING IS A CONTROLLED DOCUMENT.		DWN C.REIFSNYDER 06 DEC 95	TE Connectivity	
DIMENSIONS: mm [INCHES]		CHK R.STONE 27 FEB 96		
TOLERANCES UNLESS OTHERWISE SPECIFIED:		APVD G.A.STEINHAUER 13 MAR 96	NAME	
0 PLC ± -	1 PLC ± -	PRODUCT SPEC	BLOCK, FEMALE, 20 PLACE MINIATURE RECTANGULAR, M SERIES	
2 PLC ± 0.13 [.005]	3 PLC ± -	APPLICATION SPEC	SIZE A2	CAGE CODE 00779
4 PLC ± -	ANGLES ± -	WEIGHT	DRAWING NO C=200346	RESTRICTED TO -
MATERIAL SEE TABLE	FINISH -	CUSTOMER DRAWING	SCALE 4:1	SHEET 1 OF 1
			REV W1	