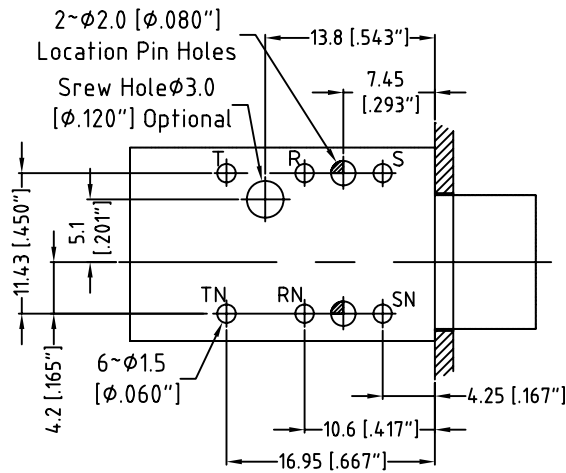
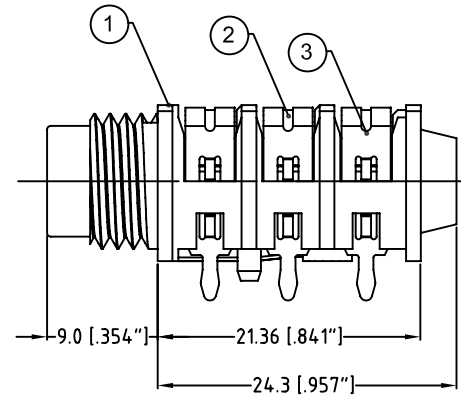
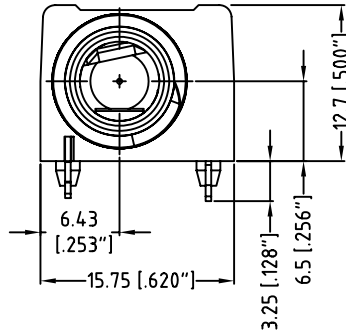
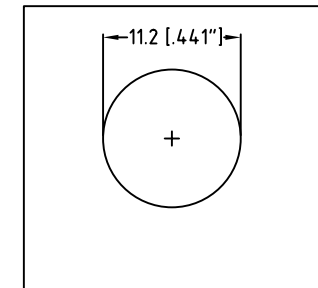


3D VIEW



PCB LAYOUT

PART NO.	ACJM-HHOP	ACJS-HHOP
SCHEMATIC		



PANEL CUTOUT

NO.	PART NAME	Q'TY	MATERIAL (THICK)	REMARK
3	FLAT TERMINAL	3	H62Y t=0.4mm	Ag-PLATED,
2	SPRING TERMINAL	3	QSn6.5-0.1T t=0.4mm	RoHS COMPLIANT
1	HOUSING	1	PA66 G10	BLACK

UNLESS OTHERWISE SPECIFIED TOLERANCE TO BE		THIS DOCUMENT IS THE PROPERTY OF AMPHENOL AUSTRALIA PTY. LTD.. NO PART THEREOF MAY BE REPRODUCED AND USED WITHOUT THE PRIOR WRITTEN CONSENT OF THE OWNER				0	FIRST ISSUE	M.N.H	01-04-09	----
LINEAR	ANGULAR	CAD FILE: 55010584000110	DRN: M.H	DATE: 01-04-09	REV.	CHANGE DETAILS	BY	DATE	CHG/No	
X ± 0.5	X* ± 1°	MATERIAL: REFER TO COMPONENT		CKD: M.H	DATE: 01-04-09	TITLE: 1/4" PHONE OFFSET JACK CUSTOMER DRAWING		Amphenol Amphenol Australia Pty.Ltd, 2 Freeways Blvd, Keysborough, Vic.3173		
X/X ± 0.1	X*X ± 30°	FINISH: REFER TO COMPONENT		APP'D: P.M	DATE: 01-04-09	DRAWING NO.		SHEET		
X/X ± 0.05	X*X ± 15°	DO NOT SCALE		SCALE: 1:1	PART No: REFER TO SCHEMATIC		SIZE: A4	55010584-000-1 1 OF 1		
DIMENSIONS IN MILLIMETRES		THRD ANGLE PROJECTION								