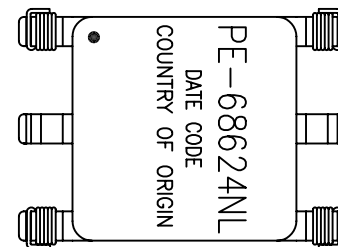


NOTES:

1. ROHS COMPLIANT
2. HEADER: THERMOPLASTIC WITH FLAMMABILITY RATING UL 94V-0 OR BETTER.
3. STORAGE TEMPERATURE: -20°C TO +125°C
4. COMPLIANCE TO J-STD:
  - A. J-STD-002: SOLDERABILITY AT 245°C REFLOW PROFILE
  - B. J-STD-020: LEVEL 1, NO MOISTURE SENSITIVE
  - C. J-STD-075: R7, 245°C MAXIMUM THROUGH REFLOW SOLDER
5. TO ORDER TAPE & REEL PACKAGING ADD A "T" SUFFIX TO THE PART NUMBER(i.e PE-68624NL BECOMES PE-68624NLT).

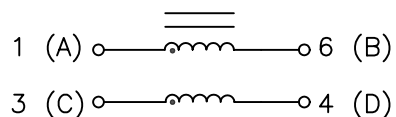


FINAL OUTLINE

© Copyright, 2014. Pulse Electronics Corp. All rights reserved. Pulse confidential & proprietary. (06/09/14)

PRODUCT DESCRIPTION	TLA DRAWING	PS DRAWING	SHEET	PART NO.	DATASHEET REV.
CHOKE,SGL,2-W,SMT,SH-3,LF	PE-68624NL-14	-	1 OF 3	PE-68624NL	A

ELECTRICAL CHARACTERISTICS AT +25°C UNLESS OTHER SPECIFIED

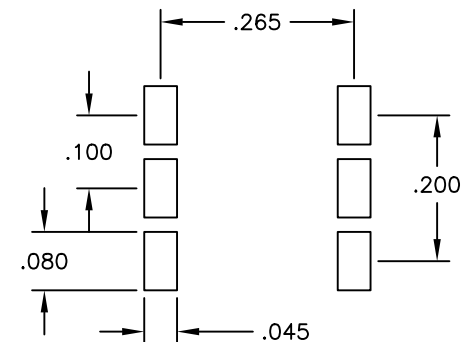
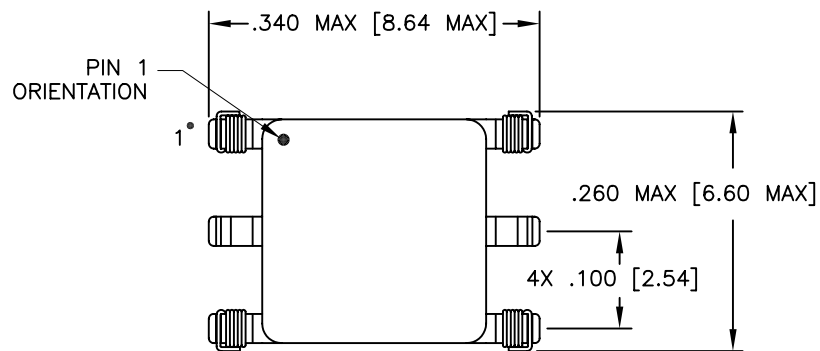


SCHEMATIC

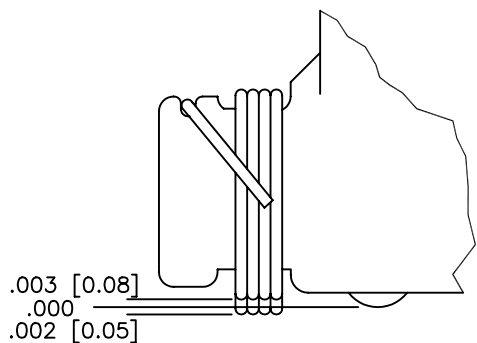
PARAMETER	SPECIFICATIONS
OPERATING TEMPERATURE	0°C - 70°C
POLARITY	PER SCHEMATIC
TURNS RATIO: @10KHz, 0.1VRMS	(1-6) : (3-4) = 1.0 ± 2%
OPEN CIRCUIT INDUCTANCE (OCL): @100KHz, 0.1VRMS	(1-6) = 47.0 uH MIN AT 25°C
LEAKAGE INDUCTANCE (LL) @100KHz, 0.02VRMS	(1-6) WITH (3-4) SHORTED = .20 uH MAX
CWW @100KHz, .02VRMS	(1-6) TO (3-4) = 20 pF MAX
DCR	(1-6) = (3-4) = 0.40 OHM MAX
HIPOT	500 VRMS, 60 S

© Copyright, 2014. Pulse Electronics Corp. All rights reserved. Pulse confidential & proprietary. (06/09/14)

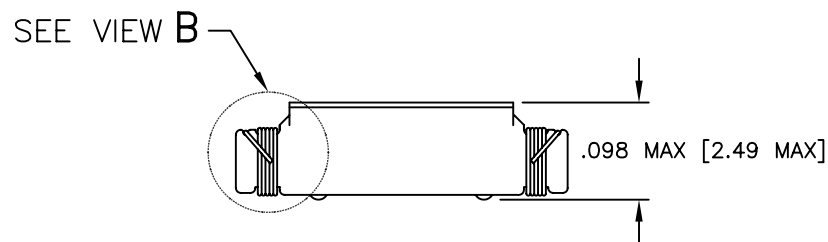
PRODUCT DESCRIPTION	TLA DRAWING	PS DRAWING	SHEET	PART NO.	DATASHEET REV.
CHOKE,SGL,2-W,SMT,SH-3,LF	PE-68624NL-14	-	2 OF 3	PE-68624NL	A



RECOMMENDED PAD LAY OUT



VIEW B



DIMENSIONS ARE IN INCHES [MILLIMETERS] WITH THE FOLLOWING TOLERANCES: [MILLIMETERS] ARE FOR REFERENCE ONLY.  
.XX= ±.02 [±0.5]  
.XXX= ±.010 [±0.25]

© Copyright, 2014. Pulse Electronics Corp. All rights reserved. Pulse confidential & proprietary. (06/09/14)

PRODUCT DESCRIPTION	TLA DRAWING	PS DRAWING	SHEET	PART NO.	DATASHEET REV.
CHOKE,SGL,2-W,SMT,SH-3,LF	PE-68624NL-14	-	3 OF 3	PE-68624NL	A