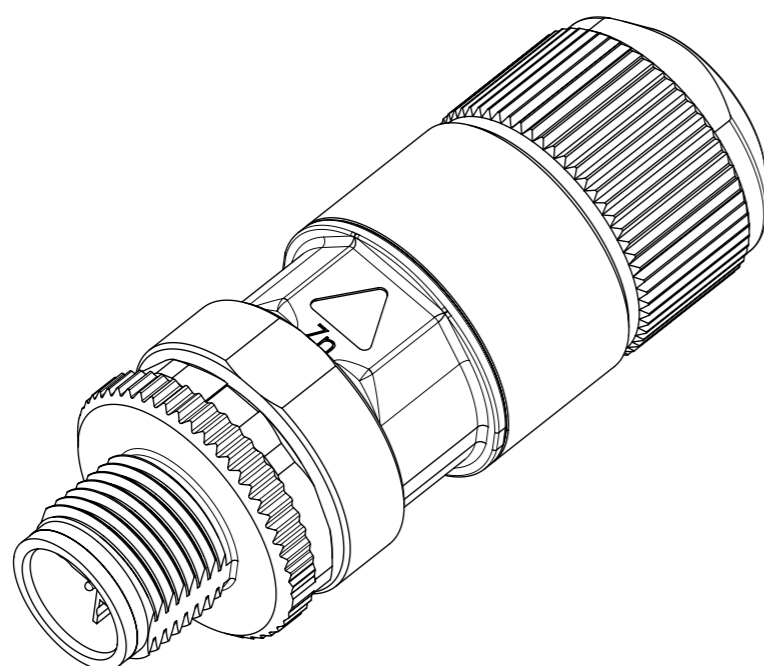


SCALE 5:1

Anschluss / CONNECTION	
Farbcode / COLOUR CODE	PIN Nr. /NO.
W - O	1
O	2
W - G	3
G	4
W - BR	5
BR	6
W - BL	7
BL	8

ENG.-NO: E2AS06-52


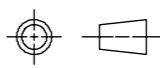


<b>QUALITY SYMBOLS</b> ▽ = 0 ▽ = 0 ▽ = 0 ▼ = 0 ▽ = 0 ☒ = 0 ■ = 0 ▽ = 0	THIS DRAWING CONTAINS INFORMATION THAT IS PROPRIETARY TO MOLEX INCORPORATED AND SHOULD NOT BE USED WITHOUT WRITTEN PERMISSION											
	<b>EC DESCRIPTION</b> EC NO: 109099 DRWN: FDAFERNER CHK'D: APPR: RSILLER	2016/10/06	2016/10/07	GENERAL TOLERANCES (UNLESS SPECIFIED)		DIMENSION UNITS	SCALE					
				ANGULAR TOL ± 1.0 °		MM	2:1					
		4 PLACES	±			DRWN BY	DATE	FA M12 CAT6A 8P XC MA STR SHLD IDC				
		3 PLACES	±			KGRUEDL	2015/11/25					
		2 PLACES	±	0.05			CHK'D BY					DATE
	1 PLACE	±	0.3			APPR BY	DATE	PRODUCT CUSTOMER DRAWING				
	0 PLACES	±	0.5			CBRUNS	2016/04/07	SERIES	MATERIAL NUMBER	CUSTOMER		
	DRAFT WHERE APPLICABLE MUST REMAIN WITHIN DIMENSIONS					DRAWING SIZE	THIRD ANGLE PROJECTION	120341	1203410806			
	A1		REV			A3		DOCUMENT NUMBER		DOC TYPE	DOC PART	SHEET NUMBER
							1203410806		PSD	000	1 OF 2	

Technische Daten / TECHNICAL DATA			Elektrische Eigenschaften		ELECTRICAL CHARACTERISTICS
Steckverbinder-Norm	IEC 61076-2-109	CONNECTOR STANDARD	Isolationswiderstand	≥ 100 MΩ	INSULATION RESISTANCE
Mechanische Eigenschaften		MECHANICAL CHARACTERISTICS	Durchgangswiderstand	≤ 10 mΩ	CONTACT RESISTANCE
Steckkraft	≤ 30 N	INSERTION FORCE	Spannungsfestigkeit		VOLTAGE PROOF
Lebensdauer	≥ 100	LIFE	Kontakt-Kontakt	≥ 500 V, DC	CONTACT-CONTACT
Werkstoffe		MATERIALS	Kontakt-Schild	≥ 500 V, DC	CONTACT-SHIELD
Steckergehäuse	Zinkdruckguß vernickelt / ZINC DIECAST NICKEL-PLATED Messing vernickelt / BRASS NICKEL-PLATED	CONNECTOR HOUSING	Strombelastbarkeit bei 40°C	0,5 A	CURRENT CARRYING CAPACITY AT 40°C
Adernvorsortierung	PA UL94 V0 weiß / WHITE	WIRE PAIR PRESORTING	**Bemessungsspannung	50 V / AC, 60 V / DC	**RATED VOLTAGE
Kontaktgehäuse	PA UL 94 V0	CONTACT HOUSING	PoE+ gemäß IEEE 802.3at	Geeignet für Power over Ethernet+ ADEQUATE FOR POWER OVER ETHERNET+	PoE+ ACCORDING TO IEEE 802.3AT
Klemmkäfig	PA UL 94 V0	CLAMP CAGE	Übertragungstechnische Eigenschaften		TRANSMISSION PERFORMANCE
IDC-Kontakte	Messing / BRASS, MIN. 3...6 µm Sn PLATED	IDC-CONTACTS	10 Gigabit Ethernet gemäß IEEE 802.3an	Geeignet für 10 Gigabit Ethernet ADEQUATE FOR 10 GIGABIT ETHERNET	10 GIGABIT ETHERNET ACCORDING TO IEEE 802.3AN
Schildkontakt	Neusilber / GERMAN SILVER	SHIELD CONTACT	Kategorie 6A	ISO / IEC 11801; DIN EN 50173-1	CATEGORY 6A
Oberfläche Kontakte	min. 0.8 µm Au über / on 1.2 µm Ni	CONTACT FINISH	KLASSE EA	ISO / IEC 11801; DIN EN 50173-1	CLASS EA
Dichtungen	NBR	SEALINGS	Kategorie 6A	ANSI / TIA / EIA - 568 - C.2	CATEGORY 6A
Adernanschluss		WIRE CONNECTION	Normen		Standards
Cu-Leiterdurchmesser	Massiv / SOLID 0,51 - 0,64 mm AWG 24 - AWG 22 / 1 Litze / STRANDED 0,46 - 0,76 mm AWG 27 - AWG 22 / 7 *Litze / STRANDED 0,61 - 0,78 mm AWG 26 - AWG 22 / 19	CU-CONDUCTOR DIAMETER	Anwendungsneutrale Kommunikationskabelanlagen	ANSI / TIA / EIA - 568 - C.2; ISO / IEC 11801; DIN EN 50173-1	GENERIC CABLE SYSTEMS
Aderndurchmesser	0,9 - 1,6 mm	INSULATION DIAMETER	IP-Schutzarten	IEC 60529	DEGREES OF PROTECTION PROVIDED BY ENCLOSURES (IP CODE)
Kabeldurchmesser	5,5 - 9,0 mm	CABLE DIAMETER	Zulassung		APPROVAL
Dichtungen	NBR	SEALINGS	UL-gelistet	-	UL LISTED
Umweltanforderungen		ENVIRONMENTAL REQUIREMENTS			
Mechanisch		MECHANICAL			
Schocken	490 ms <sup>-2</sup>	SHOCK			
Schwingen sinusförmig (9Hz - 500Hz)	50 ms <sup>-2</sup>	VIBRATION SINUSOIDAL (9Hz - 500 Hz)			
Schutz vor Eindringen		PROTECTION AGAINST INGRESS			
Eindringen von Teilchen / Wasser / Untertauchen	IP 67	PARTICULATE INGRESS WATER / IMMERSION			
Verschmutzungsgrad	3	POLLUTION DEGREE			
Klimatisch und chemisch		CLIMATICAL AND CHEMICAL			
Umgebungstemperatur	-40°C bis / TO +85°C	AMBIENT TEMPERATURE			

\*\* Die Bemessungsspannung basiert auf dem Verschmutzungsgrad 2  
THE RATED VOLTAGE IS BASED ON POLLUTION DEGREE 2

Für alle aufgeführten Standards gelten die aktuellen und publizierten Ausgabestände zum Zeitpunkt der Erstellung des Datenblattes.  
THE VERSIONS OF THE AFOREMENTIONED STANDARDS CURRENT AT THE TIME THE DATA-SHEET WAS CREATED ARE VALID.

QUALITY SYMBOLS	THIS DRAWING CONTAINS INFORMATION THAT IS PROPRIETARY TO MOLEX INCORPORATED AND SHOULD NOT BE USED WITHOUT WRITTEN PERMISSION												
▽ = 0	EC DESCRIPTION EC NO: 109099 DRWN: FDAFERNER CHK'D: REV APPR: RSILLER	2016/10/06 2016/10/07	GENERAL TOLERANCES (UNLESS SPECIFIED)		DIMENSION UNITS	SCALE							
▽ = 0			ANGULAR TOL ± 1.0 °		MM	2:1							
▽ = 0			4 PLACES ±	3 PLACES ±	DRWN BY	DATE					FA M12 CAT6A 8P XC MA STR SHLD IDC		
▼ = 0					2 PLACES ± 0.05	1 PLACE ± 0.3	0 PLACES ± 0.5	CHK'D BY	DATE	PRODUCT CUSTOMER DRAWING			
▽ = 0					DRAFT WHERE APPLICABLE MUST REMAIN WITHIN DIMENSIONS		APPR BY	DATE	SERIES MATERIAL NUMBER CUSTOMER				
☒ = 0							CBRUNS	2016/04/07	120341	1203410806			
■ = 0							DRAWING SIZE	THIRD ANGLE PROJECTION	DOCUMENT NUMBER DOC TYPE DOC PART SHEET NUMBER				
▽ = 0							A3		1203410806 PSD 000 2 OF 2				