

10 9 8 7 6 5 4 3 2 1

F

E

D

C

B

A

F

E

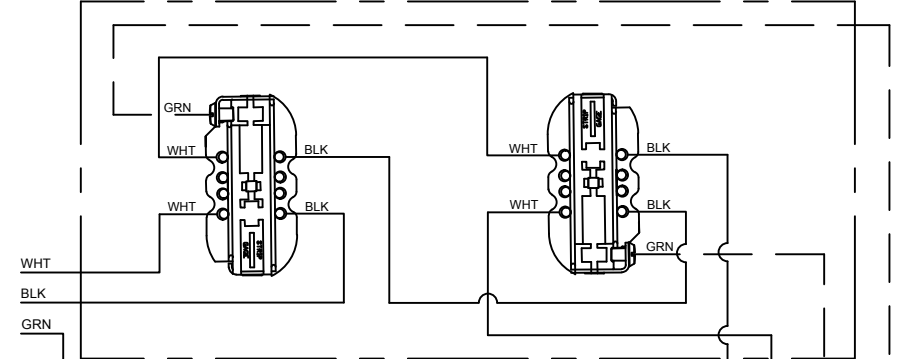
D

C

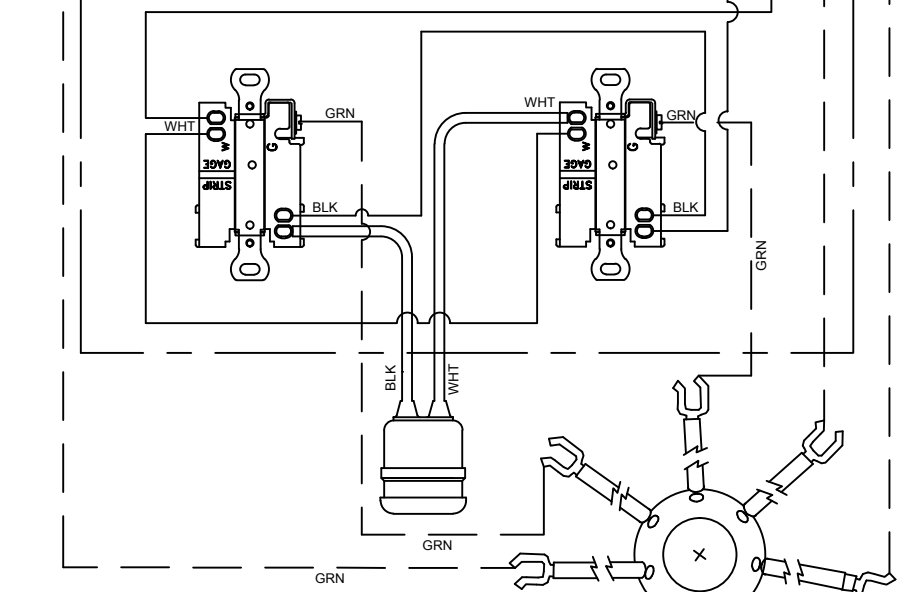
B

A

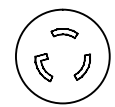
SIDE (1) 5-20 DUPLEXES



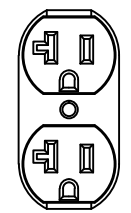
SIDE (2) L5-20 RECEPTACLES



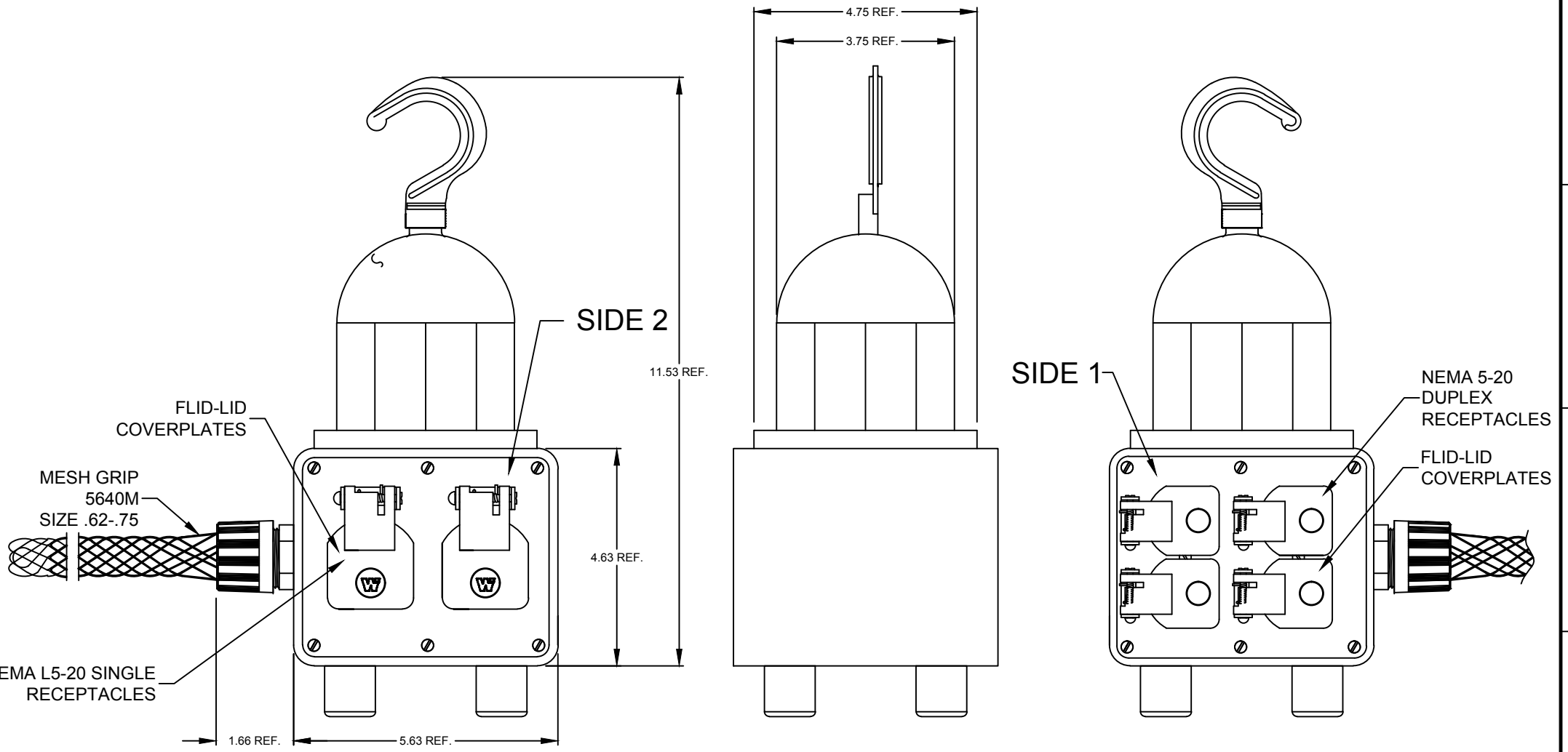
GROUND RING ASSEMBLY



L5-20 RECEPTACLES



5-20 RECEPTACLES



CUSTOMER APPROVAL EC NO: IPG2018-0501 DRWN: BPATTERS 2018/05/02 CHKD: MJANTELE APPR: HKNEELAN 2018/05/18	REV DESCRIPTION	QUALITY SYMBOLS ▽=0 ▽C=0	GENERAL TOLERANCES (UNLESS SPECIFIED)		DIMENSION STYLE INCH ONLY		SCALE NTS	DESIGN UNITS INCH	THIRD ANGLE PROJECTION	
		4 PLACES ±--- ±--- 3 PLACES ±--- ±--- 2 PLACES ±--- ±--- 1 PLACE ±--- ±---	mm INCH	DRAWN BY DATE BPATTERS 2018/05/02	TITLE ILLUMINATED OUTLET BOX 3290 W/(2)5-20DPLX, (2)L5-20, 5640M GRIP					
		ANGULAR ±.5°		CHECKED BY DATE MJANTELE ---	MOLEX INCORPORATED					
		DRAFT WHERE APPLICABLE MUST REMAIN WITHIN DIMENSIONS		APPROVED BY DATE HKNEELAN 2018/05/18	MATERIAL NO. 1301350407	DOCUMENT NO. SD-130135-407	SHEET NO. 1 OF 1			
		SIZE B		THIS DRAWING CONTAINS INFORMATION THAT IS PROPRIETARY TO MOLEX INCORPORATED AND SHOULD NOT BE USED WITHOUT WRITTEN PERMISSION						

10 9 8 7 6 5 4 3 2 1