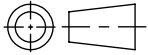
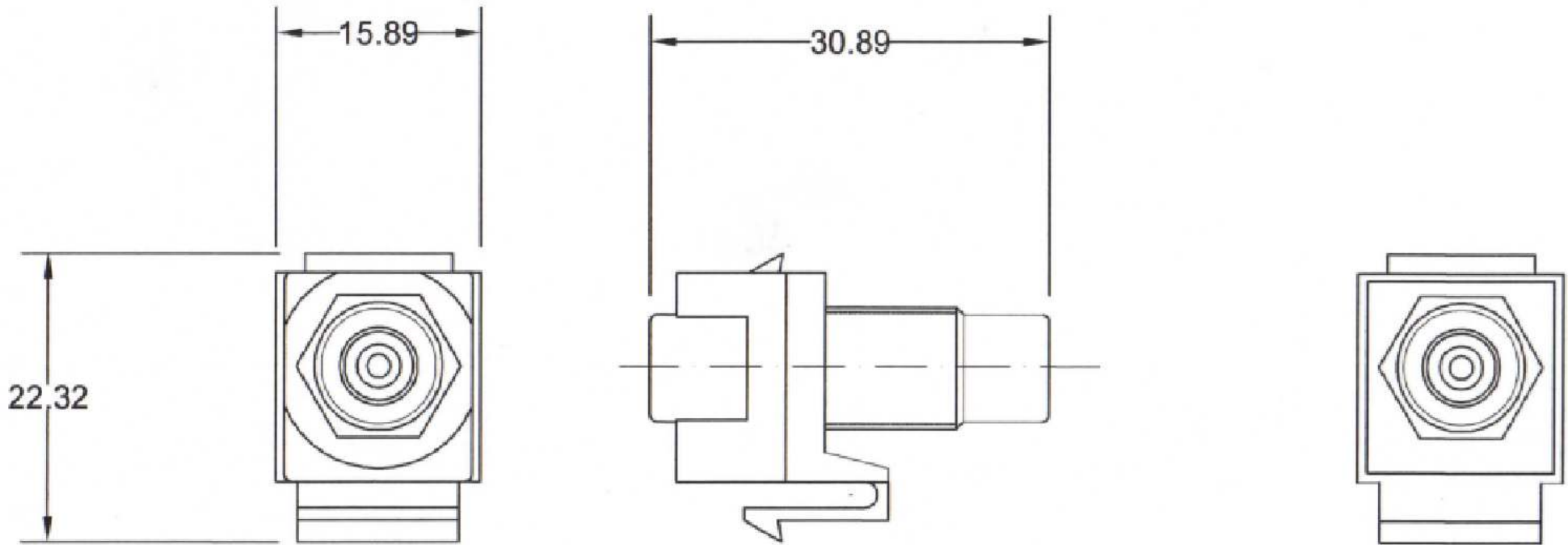


SW2014



Revision level			Revision Record	Changed	Date	Approved	Date
Drawing	State	Part					
A.0	In Work		SEE ECN# 013161	SNH	6/19/2015	KAC	6/19/2015



Material
ABS UL94V-0, BRASS
AND NICKEL FINISH

Units: **millimeters**
Dimension without
tolerances details to:
.xxx = ±.013
.xx = ±.13
.x = ±.3
None = ±.8
∠ = ±0.5°
Dimension Formatted mm/[in]

The copyright of this
drawing is reserved by
HellermannTyton. It is
issued on condition that it is
not reproduced, copied, or
disclosed to a third party,
either wholly or in part,
without the consent of
HellermannTyton.

Drawn	SNH	6/19/2015
Approved	KAC	6/19/2015

HellermannTyton
North America
Email: corp@htamericas.com
Web: www.hellermann.tyton.com

Article/Type-No	RCAINSERT	Scale	1:1
Title	RCA COUPLER MODULE WITH BLACK STRIPE	Project Number	PRP 15-0391
Drawing-No	15-0391-001-CSU	Format	AH
		Sheet	1/1