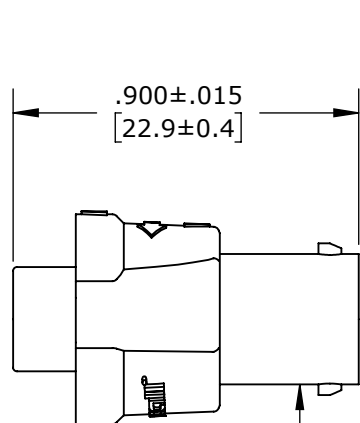
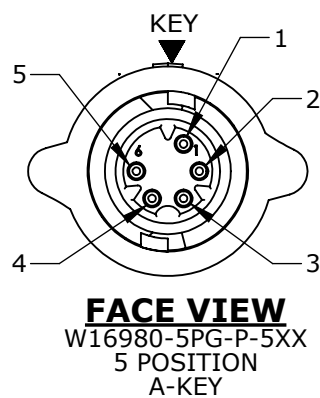


APPROVED BY: DATE: MFG. ENG. QA

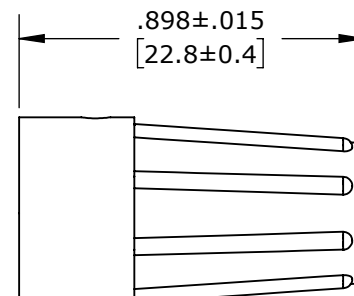
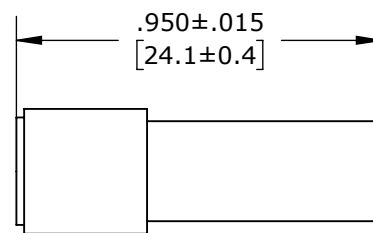
ASS'Y P/N	CONTACT QTY.	CABLE O.D. RANGE
W16980-5PG-P-518	5	0.18 - 0.20 [4.6 - 5.1]
W16980-5PG-P-521	5	0.21 - 0.22 [5.3 - 5.6]
W16980-5PG-P-522	5	0.22 - 0.23 [5.6 - 5.8]
W16980-6PG-P-518	6	0.18 - 0.20 [4.6 - 5.1]
W16980-6PG-P-521	6	0.21 - 0.22 [5.3 - 5.6]
W16980-6PG-P-522	6	0.22 - 0.23 [5.6 - 5.8]
W16980-7PG-P-518	7	0.18 - 0.20 [4.6 - 5.1]
W16980-7PG-P-521	7	0.21 - 0.22 [5.3 - 5.6]
W16980-7PG-P-522	7	0.22 - 0.23 [5.6 - 5.8]
W16980-XPG-P-5XX		

**NOTES:**

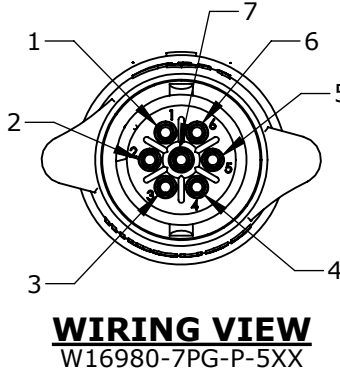
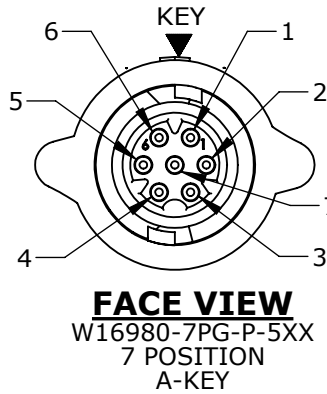
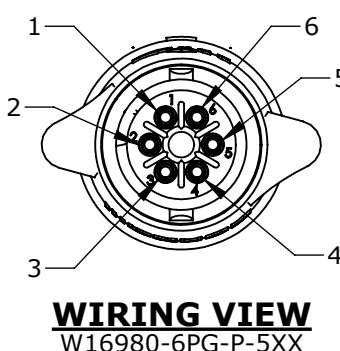
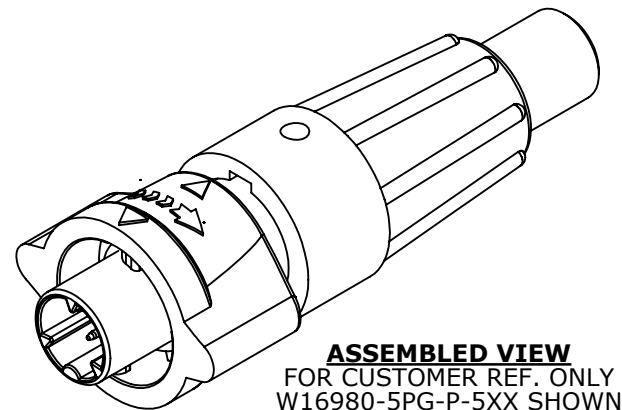
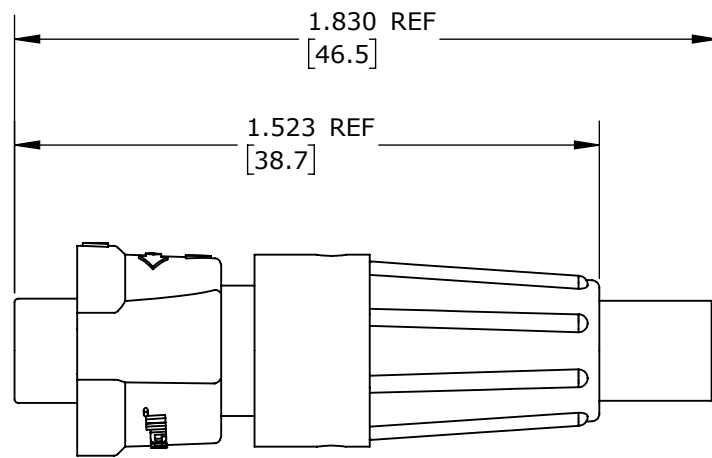
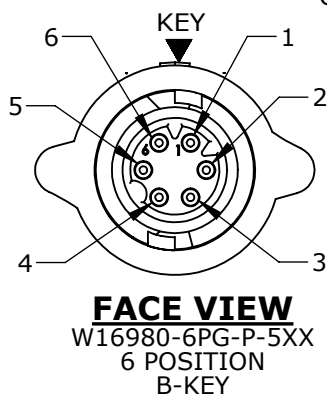
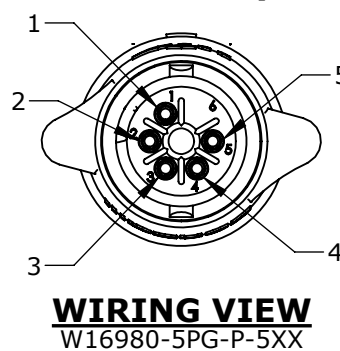
1. ALL PARTS ARE BULK PACKED.
2. REFER TO DRAWING HPMCSTD FOR CONTACT PATTERNS.
3. ALL DIMENSIONS ARE REFERENCE ONLY IN INCHES [mm], WITHIN ±0.015 UNLESS OTHERWISE NOTED.



(5-7) # 26 PIN CONTACTS  
CRIMP TAIL  
MAT'L: GOLD PLATED, COPPER ALLOY



# OF CONTACTS  
GROMMET SIZE = CABLE O.D. RANGE:  
518 = 0.18 - 0.20 [4.6 - 5.1]  
521 = 0.21 - 0.22 [5.3 - 5.6]  
522 = 0.22 - 0.23 [5.6 - 5.8]



**CUSTOMER APPROVAL**

THIS DOCUMENT CONTAINS CONFIDENTIAL INFORMATION PROPRIETARY TO CONXALL CORPORATION. ANY REPRODUCTION, DISCLOSURE, OR USE OF THIS DOCUMENT /INFORMATION IS EXPRESSLY PROHIBITED UNLESS AUTHORIZED IN WRITING BY CONXALL CORPORATION.

APPROVED BY: \_\_\_\_\_  
DATE: \_\_\_\_\_

**RoHS COMPLIANT**

0A	JGK	9/09/19	DRAWING CREATED FOR PDR #18004.	
REV.	INIT.	DATE	DESCRIPTION	
	JGK	9/09/19	ALL INFORMATION ILLUSTRATED IS THE PROPERTY OF "CONXALL CORPORATION". UNAUTHORIZED DUPLICATION OR DISTRIBUTION OF THIS DOCUMENT IS PROHIBITED. ORG. DRAWN BY: JGK DATE: 9/09/19 CHECKED BY: _____ APPROVED BY: _____ ALL UNITS ARE IN FEET, INCHES, FRACTION OF INCHES AND DECIMALS. UNLESS OTHERWISE SPECIFIED TOLERANCES: 3 PLACE DECIMALS ±.005 ANGLES ±1° FRACTIONS ±1/16 FILE: W16980-XPG-P-5XX DIRECTORY: SLW SCALE: NTS SIZE: B SHEET: 1 OF 1 TITLE: CABLE-END ASSEMBLY 5-7 #26 PIN CONTACTS, CRIMP INSTA-CLICK, MICRO-CON-X STANDARD PRODUCT CUSTOMER: _____ PART NUMBER: W16980-XPG-P-5XX CONXALL 601 E. WILDWOOD VILLA PARK, IL 60181 REV: 0A	

CUSTOMER PRINT

PART NUMBER: W16980-XPG-P-5XX

**PRELIMINARY**

DIMENSIONS IS BRACKETS [ ] ARE METRIC