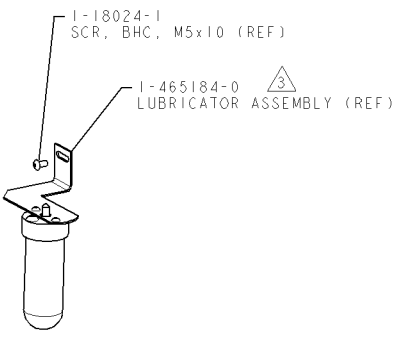


PART NUMBER	REV	TERMINATOR	FEED TYPE	DESCRIPTION
1530142-1	A	LEADMAKER	MECH POST FEED	CUTS CARRIER
1530142-2	A	BENCH	MECH PRE FEED	CUTS CARRIER
1530142-6	B	LEADMAKER	MECH POST FEED	CONTINUOUS CARRIER
7-1530142-1	A	LEADMAKER	MECH POST FEED	-1 AND SPARE PARTS
7-1530142-2	A	BENCH	MECH PRE FEED	-2 AND SPARE PARTS
7-1530142-6	B	LEADMAKER	MECH POST FEED	-6 AND SPARE PARTS
7-1530142-7	A	-	-	SPARE PARTS KIT

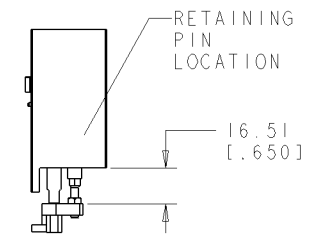
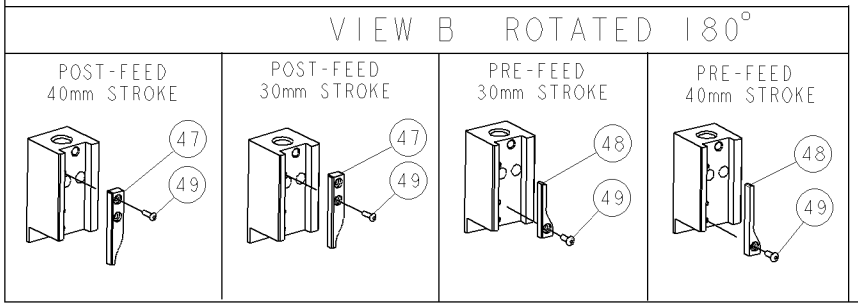
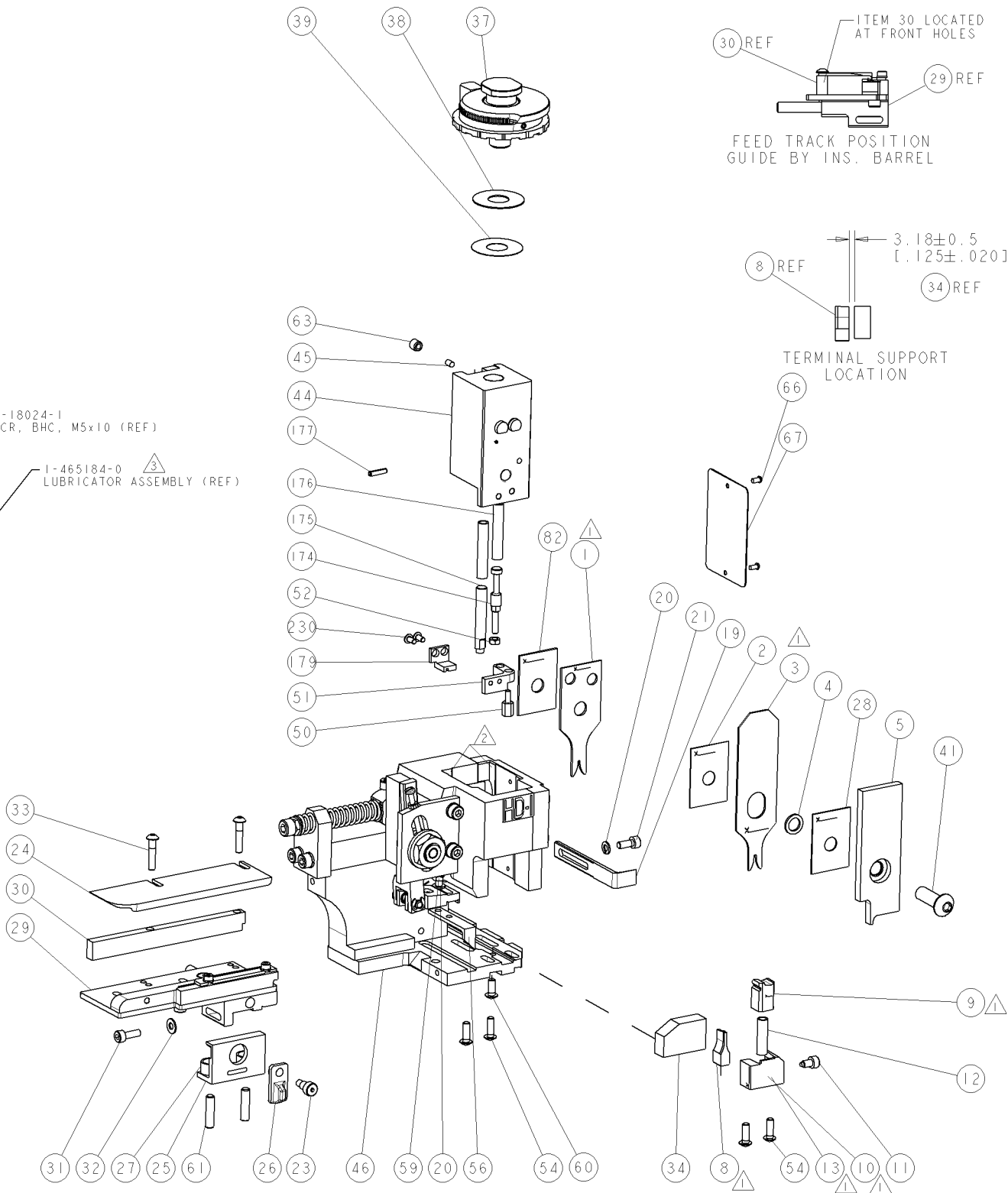
SET UP GAGE
458637-3

REVISIONS				
REV	DATE	BY	CHK	APPV
A	17JUL2009	MEH	TE	
B	24OCT2011	RS	SX	

CRIMP DATA			TE TERMINAL		TE CRIMP SPECS																																				
TERMINAL NAME: 2.0 MM PITCH CRIMP CONTACT																																									
CRIMP	SIZE	TYPE	RANGE																																						
WIRE	1.30 [.051 IN]	F	0.08-0.23mm ² or 28-24 AWG																																						
INSUL	1.65 [.065 IN]	F	Ø0.90-1.50 [.035-.059 IN]																																						
WIRE STRIP LENGTH 2.00-3.00 [.078-.118 IN]		APPL INSTRUCTIONS 408-8322 & 408-8490																																							
TERMINAL 114-57013 REV A APPL SPEC -				FEED 7.00 [.276 IN]																																					
TERMINALS APPLIED																																									
<table border="1"> <tr> <td>1470106-1</td> <td>-</td> <td>-</td> <td>-</td> <td>-</td> <td>-</td> <td>-</td> </tr> <tr> <td>-</td> <td>-</td> <td>-</td> <td>-</td> <td>-</td> <td>-</td> <td>-</td> </tr> <tr> <td>-</td> <td>-</td> <td>-</td> <td>-</td> <td>-</td> <td>-</td> <td>-</td> </tr> <tr> <td>-</td> <td>-</td> <td>-</td> <td>-</td> <td>-</td> <td>-</td> <td>-</td> </tr> <tr> <td>-</td> <td>-</td> <td>-</td> <td>-</td> <td>-</td> <td>-</td> <td>-</td> </tr> </table>							1470106-1	-	-	-	-	-	-	-	-	-	-	-	-	-	-	-	-	-	-	-	-	-	-	-	-	-	-	-	-	-	-	-	-	-	-
1470106-1	-	-	-	-	-	-																																			
-	-	-	-	-	-	-																																			
-	-	-	-	-	-	-																																			
-	-	-	-	-	-	-																																			
-	-	-	-	-	-	-																																			
WIRE SIZE	CRIMP HEIGHT	REF SETTING																																							
0.23mm ² or 22AWG	0.80 ± 0.05 [.032 ± .002 IN]	A-9																																							
0.21mm ² or 24AWG	0.70 ± 0.05 [.028 ± .002 IN]	B-7																																							
0.13mm ² or 26AWG	0.65 ± 0.05 [.026 ± .002 IN]	C-0																																							
0.08mm ² or 28AWG	0.60 ± 0.05 [.024 ± .002 IN]	C-5																																							



- 1 RECOMMENDED SPARE PARTS.
- 2 GREASE RAM, CAM, CAM FOLLOWER AND FEED ROD LIGHTLY.
- 3 CERTAIN TERMINALS REQUIRE LUBRICATION. REFER TO THE APPLICATOR INSTRUCTION SHEET FOR MORE INFORMATION.
- 4. LUBRICATE DAILY PER THE APPLICATOR INSTRUCTION SHEET SUPPLIED WITH THE APPLICATOR.



* WARNING
ON INSTALLATION, SET WIRE DISC TO LARGEST WIRE SIZE SETTING. USE OF SETTINGS BELOW MIN. REQUIRED CRIMP HEIGHT SETTING WILL CAUSE DAMAGE TO CRIMP TOOLING.

REV	DATE	BY	CHK	APPV	ITEM NO	DESCRIPTION	QTY	
-	2	2	2	2	2	1655785-9	SCR, BTN SKT HD CAP (M3 X 6)	230
-	1	1	1	1	1	1633764-2	HOLD DOWN, TERMINAL	179
-	1	1	1	1	1	993111-8	PIN, SLOTTED SPRING 3.0 X 12.0	177
-	2	2	2	2	2	3-22280-7	SPRING, COMPRESSION	176
-	1	1	1	1	1	1752353-1	GUIDE PIN, HOLDDOWN	175
-	1	1	1	1	1	1901680-1	GUIDE PIN, HOLDDOWN	174
-	1	1	1	1	1	1-455888-1	SPACER, CRIMPER	82
-	1	1	1	1	1	1338705-3	DOCUMENTATION PACKAGE	71
-	1	1	1	1	1	461264-5	PLATE, IDENTIFICATION	67
-	2	2	2	2	2	21017-2	SCREW, DRIVE	66
-	1	1	1	1	1	3-18031-0	SCR, SET, CUP POINT M6 X 6.0	63
-	2	2	2	2	2	2-18032-5	SCR, SET, FLT POINT M5 X 20.0	61
-	1	1	1	1	1	18024-7	SCR, BTN SKT HD CAP (M4 X 10.0)	60
-	1	1	1	1	1	5-18022-2	SCR, HEX HD CAP M4 X 8.0	59
-	1	1	1	1	1	1338685-1	PAWL, DRIVE	56
-	4	4	4	4	4	18024-8	SCR, BTN SKT HD CAP (M4 X 12.0)	54
-	1	1	1	1	1	1-18030-0	NUT, HEX, REG M3.5	52
-	1	1	1	1	1	1901681-8	HOLDDOWN, TERMINAL	51
-	1	1	1	1	1	1-1752354-6	STANDOFF, HOLD-DOWN	50
-	1	1	1	1	1	18024-3	SCR, BTN SKT HD CAP (M3 X 10.0)	49
-	1	1	1	1	1	1338675-1	CAM, UNIVERSAL PRE FEED	48
-	1	1	1	1	1	1338676-1	CAM, UNIVERSAL POST-FEED	47
-	1	1	1	1	1	1320999-3	APPLICATOR SUBASSEMBLY, HDI	46
-	1	1	1	1	1	690191-1	PLUG, NYLON	45
-	1	1	1	1	1	1633724-1	RAM, (SIDE FEED)	44
-	1	1	1	1	1	2-18024-6	SCR, BTN SKT HD CAP (M8 X 25.0)	41
-	1	1	1	1	1	690125-1	SHIM SUB-ASSY	39
-	1	1	1	1	1	1-469367-2	SHIM	38
-	1	1	1	1	1	879103-3	FINE ADJUST HEAD ASSEMBLY	37
-	1	1	1	1	1	1752356-1	SUPPORT, TERMINAL	34
-	2	2	2	2	2	1-18024-0	SCR, BTN SKT HD CAP (M4 X 20.0)	33
-	1	1	1	1	1	18027-2	WASHER, FLAT, REG M4	32
-	1	1	1	1	1	1-18023-2	SCR, SKT HD CAP M4 X 12.0	31
-	1	1	1	1	1	1320908-9	SPACER, STRIP GUIDE	30
-	1	1	1	1	1	1633073-1	STRIP GUIDE ASSEMBLY	29
-	1	1	1	1	1	455888-6	SPACER, CRIMPER	28
-	2	2	2	2	2	1-22284-0	SPRING, COMPRESSION	27
-	1	1	1	1	1	356835-1	LEVER, DRAG RELEASE	26
-	1	1	1	1	1	240792-1	DRAG, TERMINAL	25
-	1	1	1	1	1	1320928-1	PLATE, STRIP GUIDE	24
-	1	1	1	1	1	980371-4	SCR, SKT HD SHLDR 5.0 DIA X 6.0	23
-	1	1	1	1	1	1-18023-1	SCR, SKT HD CAP M4 X 10.0	21
-	2	2	2	2	2	18025-2	WASHER, SPRG LOCK, REG M4	20
-	1	1	1	1	1	690472-9	STRIPPER	19
-	1	1	1	1	1	1338684-2	SHEAR HOLDER, FRONT	13
-	1	1	1	1	1	3-22280-3	SPRING, COMPRESSION	12
-	1	1	1	1	1	356885-5	STOP, SHEAR	11
-	1	1	1	1	1	1-1320921-0	SHEAR HOLDER, FRONT, CUT	10
-	1	1	1	1	1	462006-6	FLOATING SHEAR, FRONT	9
-	1	2	2	1	1	1-1633711-2	ANVIL, COMBINATION	8
-	-	-	-	-	-	-	-	7
-	-	-	-	-	-	-	-	6
-	1	1	1	1	1	1-455889-4	DEPRESSOR, SHEAR	5
-	1	1	1	1	1	3-238011-7	BLOCK, CRIMPER SPACER	4
-	1	2	2	1	1	1633804-3	CRIMPER, INSULATION F	3
-	1	1	1	1	1	455888-3	SPACER, CRIMPER	2
-	1	2	2	1	1	1-1633738-3	CRIMPER, WIRE	1

REV	DATE	BY	CHK	APPV	ITEM NO	DESCRIPTION	QTY	
-77	-76	-72	-71	-6	-2	-1	PART NO	
							DESCRIPTION	ITEM NO