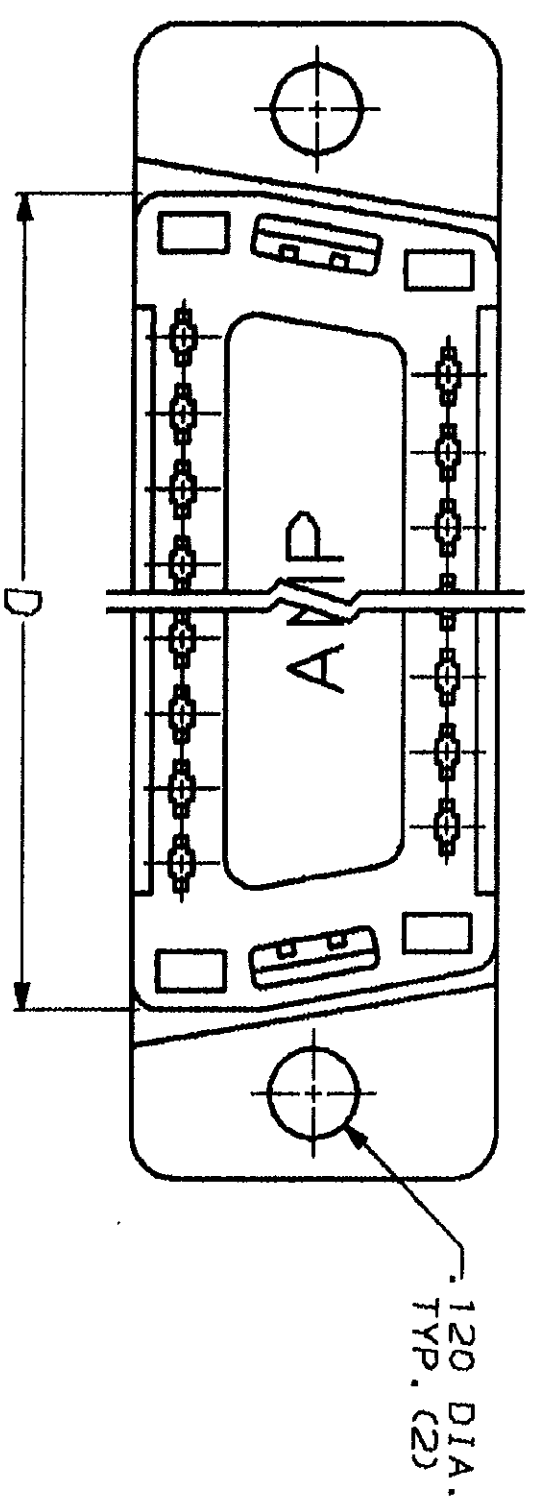
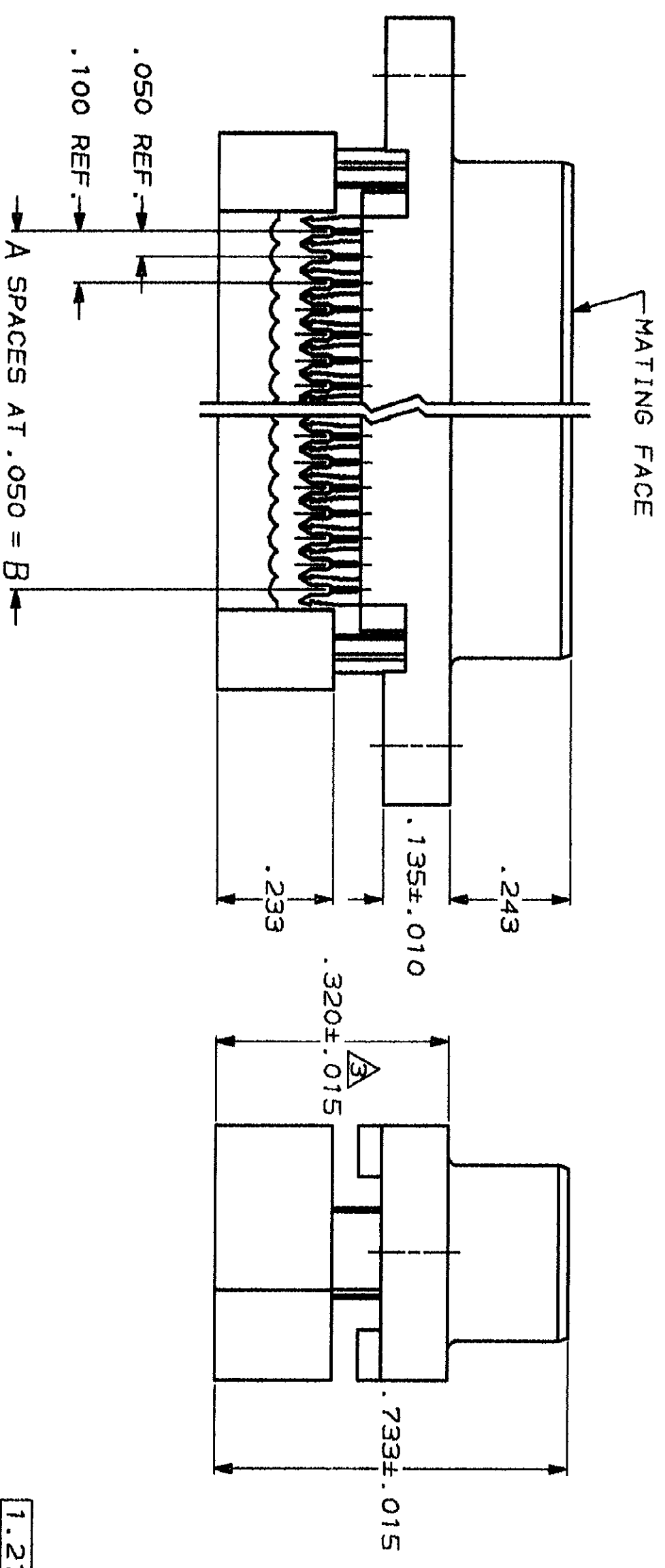
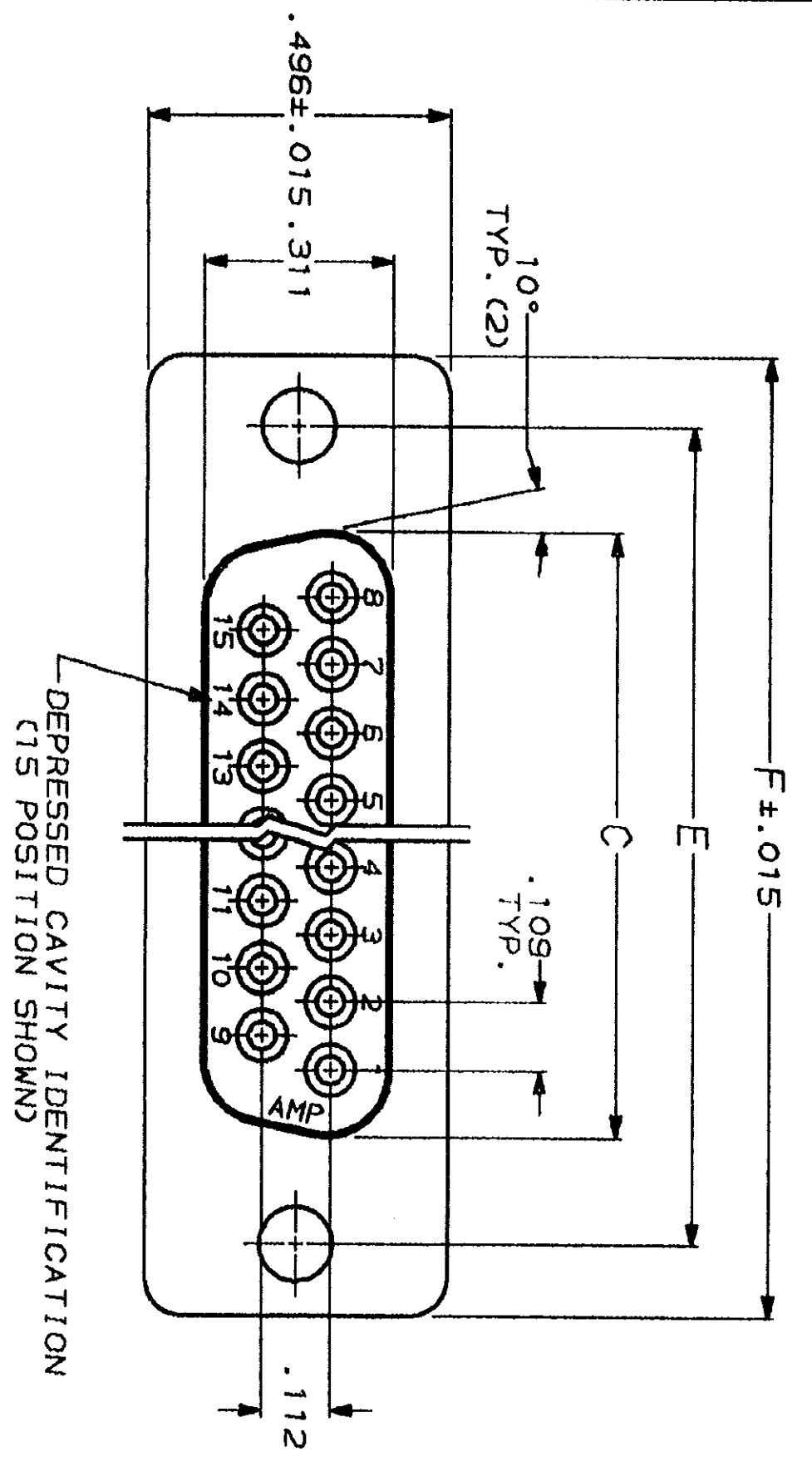


DRAWING MADE IN THIRD ANGLE PROJECTION
 THIS DRAWING IS UNPUBLISHED. RELEASED FOR PUBLICATION
 © COPYRIGHT 19 BY AMP INCORPORATED HARRISBURG, PA. ALL INTERNATIONAL RIGHTS RESERVED. AMP PRODUCTS MAY BE COVERED BY U.S. AND FOREIGN PATENTS AND/OR PATENTS PENDING.



- CONNECTORS COMPLY WITH AMP SPEC. 108-40, 012 AND MATE WITH ANY SAME NUMBER POSITION PLUG CONNECTOR IN AMPLIMITE SERIES.
- CONNECTOR DESIGNED FOR 28 AND 26 AWG STRANDED AND SOLID CONDUCTOR RIBBON CABLE ON .050 ϕ .
- DIMENSION APPLIES TO TERMINATED CONNECTOR.
- MOLDED PARTS: FLAME RETARDANT 94V-0 RATED THERMOPLASTIC; COLOR: BLACK.
- PHOS. BRONZE PER QQ-B-750.
- GOLD PLATING PER MIL-G-45204, BRIGHT TIN PLATING PER MIL-T-10727, TIN LEAD PLATING PER MIL-P-81728, NICKEL PLATING PER QQ-N-290.
- PLATED WITH .00030 GOLD IN LOCALIZED GOLD PLATE AREA, .000100-.000200 BRIGHT TIN LEAD ON TERMINATION END, ALL OVER .000050 NICKEL ON ENTIRE CONTACT.

		REVISIONS			MOD	LOC	DIST
P	F	ZONE	LTR	DESCRIPTION	DATE	APPROVED	
		0	RELEASED	ECN-0048	4-10-84	JG	
		A	REVISED	ECN-CF1457	10-08-87	ME WGL	
		B	REV PER ECN	BD2622	2-18-88	JS	
		C	REV PER ECN	BD4356	08/20/90		

F	E	D	C	B	A	NO. OF POS.	PART NUMBER
1.216	.984	.759	.643	.400	8	9	747318-4
1.541	1.312	1.087	.971	.700	14	15	747318-3
2.090	1.852	1.623	1.511	1.200	24	25	747318-2
2.732	2.500	2.275	2.159	1.800	36	37	747318-1

UNLESS OTHERWISE SPECIFIED DIMENSIONS ARE IN INCHES. TOLERANCES ON DECIMALS ± .005 ANGLES ± 2°

MATERIAL MOLDED PARTS: Δ
 CONTACTS: Δ
 FINISH: Δ
 CONTACTS: Δ

CONTRACT NO. DR J. GERACE 9-15-83
 CHK J. GERACE 9-15-83
 APPD D. HOFFMAN 9-23-83
 APPD T. LYZINSKI 9-29-83

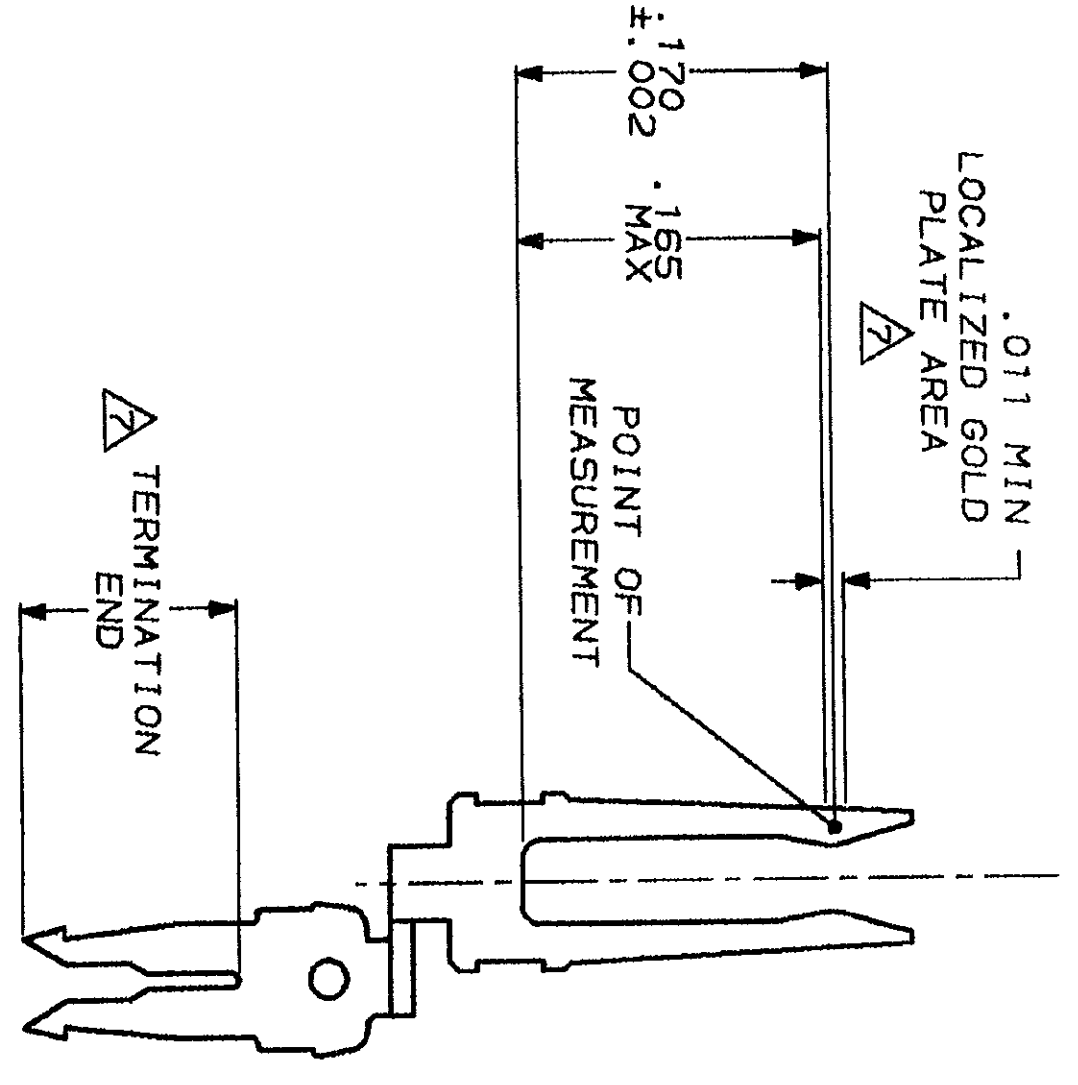
NAME: RECEPTACLE ASSEMBLY, LOW PROFILE HDF, W/ PREASSEMBLED COVER

AMP INCORPORATED Harrisburg, Pa.

SIZE: FSCM NO. 00779 DRAWING NO. 747318
 SCALE: NTS SHEET 1 OF 2

DRAWING MADE IN THIRD ANGLE PROJECTION
 THIS DRAWING IS UNPUBLISHED. RELEASED FOR PUBLICATION
 BY AMP INCORPORATED. ALL INTERNATIONAL RIGHTS RESERVED.
 © COPYRIGHT 19 19

MOD	DOC	Q15T	REVISONS		DATE	APPD
20	BD	39	P	F	ZONE	LTR
			U		C	SEE SHEET 1



CONTACT DETAIL
 SCALE 10:1

DO NOT SCALE PRINT. UNLESS SPECIFIED DIMENSIONS IN INCHES TOLERANCES ON : 2 PLC DEC # .005 3 PLC DEC # 2 ⁺ ANGLES # 2 ⁺ MATERIAL -		DR 11-3-87 M. EPLER CHK 11-4-87 W. S. LENKER APPD - APPD - PRODUCT SPEC - APPLICATION SPEC - WEIGHT -	NAME RECEPTACLE ASSEMBLY, LOW PROFILE HDF, W/ PREASSEMBLED COVER AMP INCORPORATED 16501 W. 17th Ave., No. 17105	PART NO 747318
FINISH			SIZE FSCM NO 00779 SCALE N1'S	DRAWING NO 747318 SHEET 2 OF 2

CUSTOMER DRAWING