

PV-C3M-S 2,5-6 (-) - Connector



1386384

<https://www.phoenixcontact.com/pc/products/1386384>

Please be informed that the data shown in this PDF document is generated from our online catalog. Please find the complete data in the user documentation. Our general terms of use for downloads are valid.



Photovoltaic connector, Range of articles: Sunclix, Connector, housing material: PPE, color: black, number of positions: 1, min. conductor cross section: 2.5 mm², max. conductor cross section: 6 mm², rated voltage: 1100 V DC, rated current: 35 A, Connection method: Spring-cage, Contact connection type: Pin, min. cable diameter: 5.5 mm, max. cable diameter: 8 mm. Follow-up item to 1774687

Your advantages

- Convenient, secure spring connection technology
- High yield, thanks to silver-plated contacts
- Convenient release without a special tool
- One-piece DC connector

Commercial data

Item number	1386384
Packing unit	50 pc
Minimum order quantity	50 pc
Product key	ABLBBA
GTIN	4063151762377
Weight per piece (including packing)	13.77 g
Weight per piece (excluding packing)	13.77 g
Customs tariff number	85359000
Country of origin	DE

PV-C3M-S 2,5-6 (-) - Connector



1386384

<https://www.phoenixcontact.com/pc/products/1386384>

Technical data

Notes

General	Follow-up item to 1774687
Safety note	
Safety note	<ul style="list-style-type: none">• WARNING: Commission properly functioning products only. The products must be regularly inspected for damage. Decommission defective products immediately. Replace damaged products. Repairs are not possible.• WARNING: Only electrically qualified personnel may install and operate the product. They must observe the following safety notes. The qualified personnel must be familiar with the basics of electrical engineering. They must be able to recognize and prevent danger. The relevant symbol on the packaging indicates that only personnel familiar with electrical engineering are allowed to install and operate the product.• WARNING: The connectors may not be plugged in or disconnected under load. Ignoring the warning or improper use may damage persons and/or property.• The products are suitable for applications in plant, controller, and electrical device engineering.• Assembled products may not be manipulated or improperly opened.• Only use mating connectors that are specified in the technical data of the standards listed (e.g. the ones listed in the product accessories online at phoenixcontact.com/products).• When using the product in direct connection with third-party manufacturers, the user is responsible.• For operating voltages > 50 V AC, conductive connector housings must be grounded• Ensure that the protective or functional ground has been properly connected.• Observe the corresponding technical data. You will find information:<ul style="list-style-type: none">o On the producto On the packing labelo In the supplied documentationo Online at phoenixcontact.com/products under the product• The installation notes/Design In documents online on the download page at phoenixcontact.com/products must be observed for this product.• Use a protective cap to protect connectors that are not in use. The suitable accessories are available online in the accessory section of the product at phoenixcontact.com/products• The connector warms up in normal operation. Depending on the ambient conditions, the surface of the connector can continue to warm up. In this case, the user is responsible for posting warnings (e.g. DIN EN ISO 13732-1:2008-12).• Operate the connector only when it is fully plugged in and interlocked.• Ensure that when laying the cable, the tensile load on the connectors does not exceed the upper limit specified in the

PV-C3M-S 2,5-6 (-) - Connector

1386384

<https://www.phoenixcontact.com/pc/products/1386384>

standards.

- Observe the minimum bending radius of the cable. Lay the cable without twisting it.

Product properties

Product type	Photovoltaic connector
Product family	Sunclix
Number of positions	1

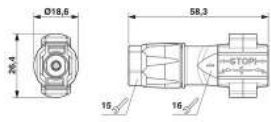
Insulation characteristics

Protection class	II
Degree of pollution	2

Electrical properties

Rated voltage (III/2)	1100 V
Nominal voltage ATD	1100 V DC (III/2) in accordance with IEC 62852:2014/AMD1:2020
Rated surge voltage	12.8 kV
Rated surge voltage (II/2)	12 kV
Rated surge voltage (III/2)	12 kV
Rated surge voltage (III/3)	12.8 kV
Rated current (6.0 mm ²)	35 A (in accordance with IEC 62852:2014/AMD1:2020)
Rated current (4.0 mm ²)	30 A (in accordance with IEC 62852:2014/AMD1:2020)
Rated current (2.5 mm ²)	20 A (in accordance with IEC 62852:2014/AMD1:2020)
Contact resistance	≤ 0.45 mΩ (when plugged in (without cable))

Dimensions

Dimensional drawing	
Width	18.6 mm
Height	26.4 mm
Length	58.3 mm

Material specifications

Color	black
Color of the housing part	black
Material	PPE
Flammability rating according to UL 94	V0
Insulating material group	III
Insulating material	mPPE
Cable seal material	EPDM
Contact material	Cu alloy

PV-C3M-S 2,5-6 (-) - Connector



1386384

<https://www.phoenixcontact.com/pc/products/1386384>

Contact surface material	Ag
Contact carrier material	PA 6.6 V0
O-ring material	EPDM
Material for screw connection	PPE
Housing material	PPE

Cable/line

Cable type	in accordance with IEC 62930
External cable diameter ()	5.5 mm ... 8 mm
External cable diameter	5.5 mm ... 8 mm
Single wire, cross section	2.5 mm ² 6 mm ²
Stripping length of the individual wire	15 mm
Cable pull-out force	> 330 N

Mechanical properties

Mechanical data

Insertion/withdrawal cycles	100
Insertion force	45 N ±10 N
Withdrawal force	250 N ±50 N (when locked)

Environmental and real-life conditions

Ambient conditions

Degree of protection (when plugged in)	IP66 / IP68 (2 m / 24 h)
Degree of protection (not plugged in)	IP20
Degree of protection	IP66 / IP68 (2 m / 24 h)
Ambient temperature (operation)	-40 °C ... 85 °C (dependent on the derating curve)
Ambient temperature (assembly)	-5 °C ... 50 °C

Standards and regulations

Standards/specifications	IEC 62852:2014/AMD1:2020
--------------------------	--------------------------

Mounting

Connection method	Spring-cage
-------------------	-------------

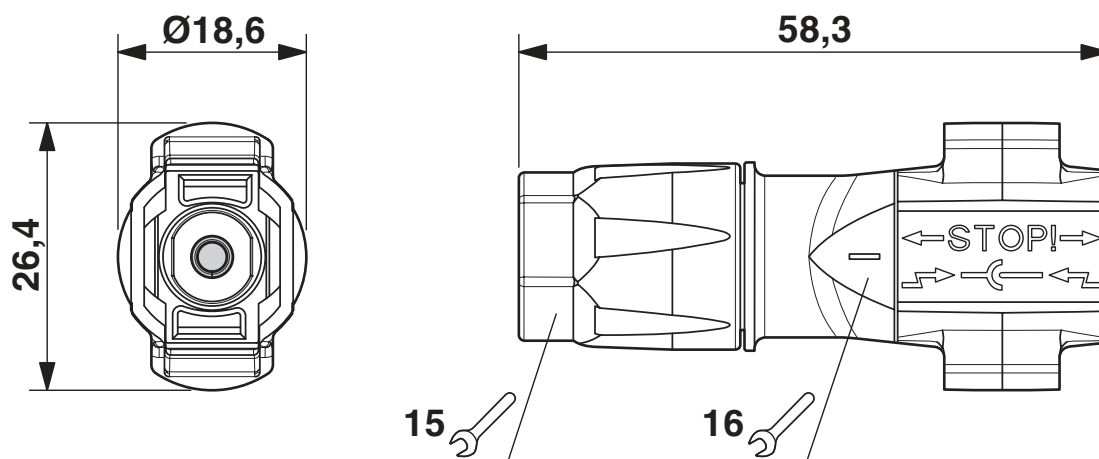
PV-C3M-S 2,5-6 (-) - Connector

1386384

<https://www.phoenixcontact.com/pc/products/1386384>

Drawings

Dimensional drawing



PV-C3M-S 2,5-6 (-) - Connector



1386384

<https://www.phoenixcontact.com/pc/products/1386384>

Approvals

To download certificates, visit the product detail page: <https://www.phoenixcontact.com/pc/products/1386384>



TÜV Rheinland

Approval ID: R 60165497-0001

PV-C3M-S 2,5-6 (-) - Connector



1386384

<https://www.phoenixcontact.com/pc/products/1386384>

Classifications

ECLASS

ECLASS-11.0	27440109
ECLASS-12.0	27440109
ECLASS-13.0	27440109

ETIM

ETIM 8.0	EC003569
----------	----------

PV-C3M-S 2,5-6 (-) - Connector

1386384

<https://www.phoenixcontact.com/pc/products/1386384>



Accessories

PV-C PROTECTION CAP - Protective cap

1785430

<https://www.phoenixcontact.com/pc/products/1785430>

Photovoltaic connector, Range of articles: Sunclix, Protective cap, color: black. self-sealing, without interlock, set consisting of: 1 protective cap for connector side and 1 protective cap for coupling side



SZF 1-0,6X3,5 - Screwdriver

1204517

<https://www.phoenixcontact.com/pc/products/1204517>

Actuation tool, for ST terminal blocks, also suitable for use as a bladed screwdriver, size: 0.6 x 3.5 x 100 mm, 2-component grip, with non-slip grip



PV-C3M-S 2,5-6 (-) - Connector

1386384

<https://www.phoenixcontact.com/pc/products/1386384>



QUICK WIREFOX 6 SC - Stripping pliers

1207637

<https://www.phoenixcontact.com/pc/products/1207637>



Stripping tool for short-circuit proof conductors, stripping range: 1.5 up to 6 mm², wire cutting up to 6 mm² cable stopper up to 18 mm²

WIREFOX-D SR 6-1 - Stripping tool

1212511

<https://www.phoenixcontact.com/pc/products/1212511>



Stripping tool, for standard 2.5, 4, and 6 mm² solar cables, with 15 mm length stop, for SUNCLIX field connectors

PV-C3M-S 2,5-6 (-) - Connector

1386384

<https://www.phoenixcontact.com/pc/products/1386384>



PV-C PLUG - Filler plugs

1775631

<https://www.phoenixcontact.com/pc/products/1775631>

Photovoltaic connector, Range of articles: Sunclix, Filler plugs, color: black



Phoenix Contact 2023 © - all rights reserved

<https://www.phoenixcontact.com>

PHOENIX CONTACT GmbH & Co. KG

Flachsmarktstraße 8

D-32825 Blomberg

+49 (0) 5235-3 00

info@phoenixcontact.com