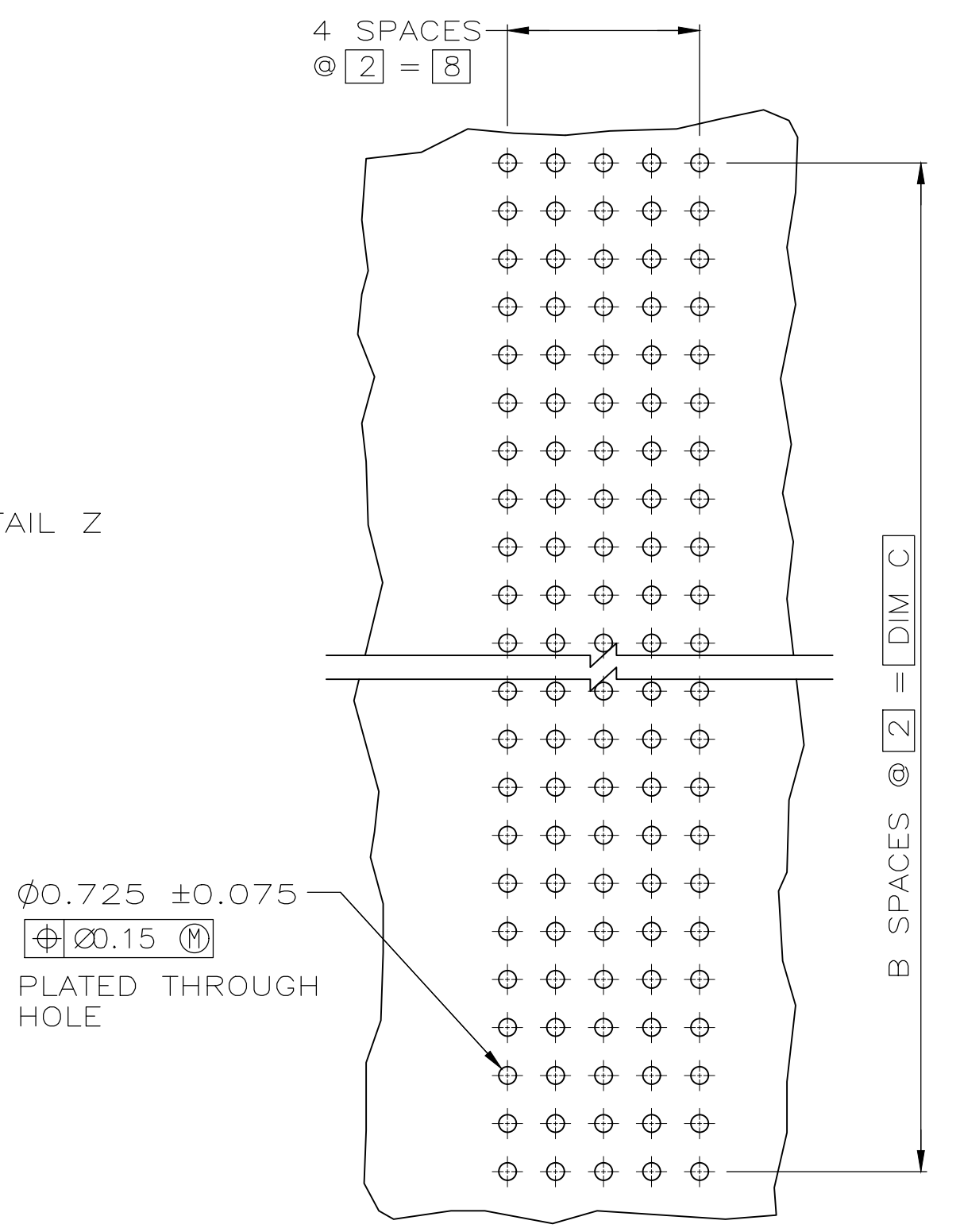
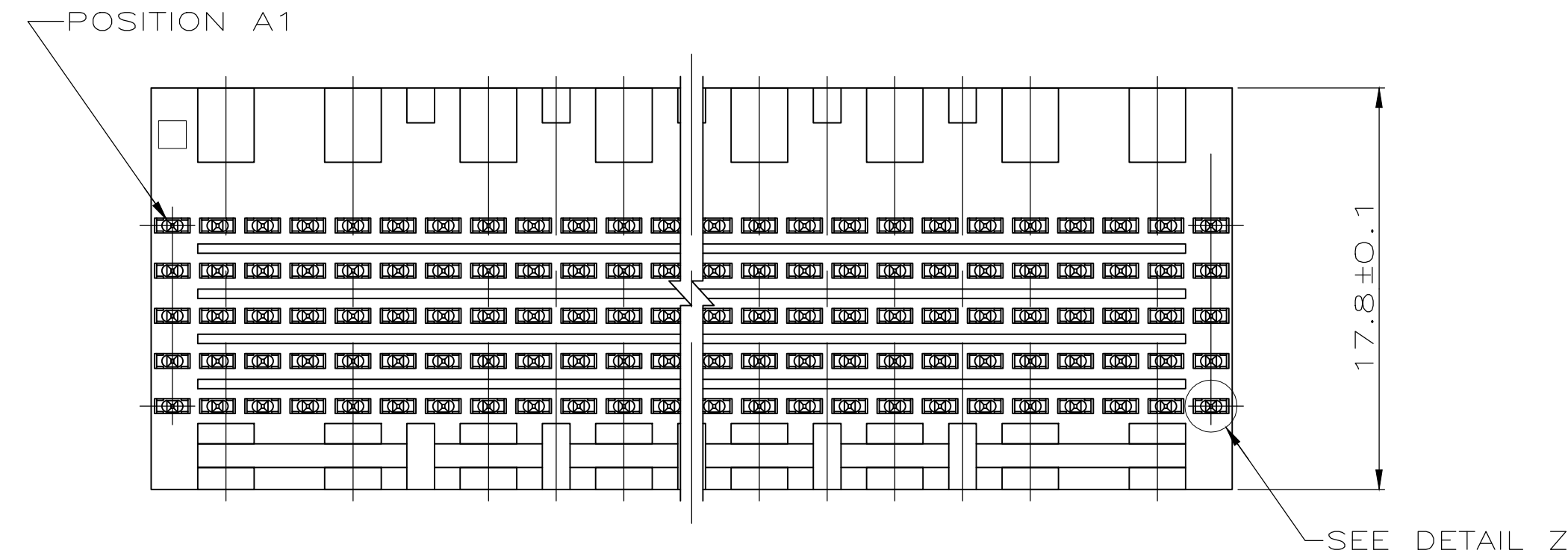
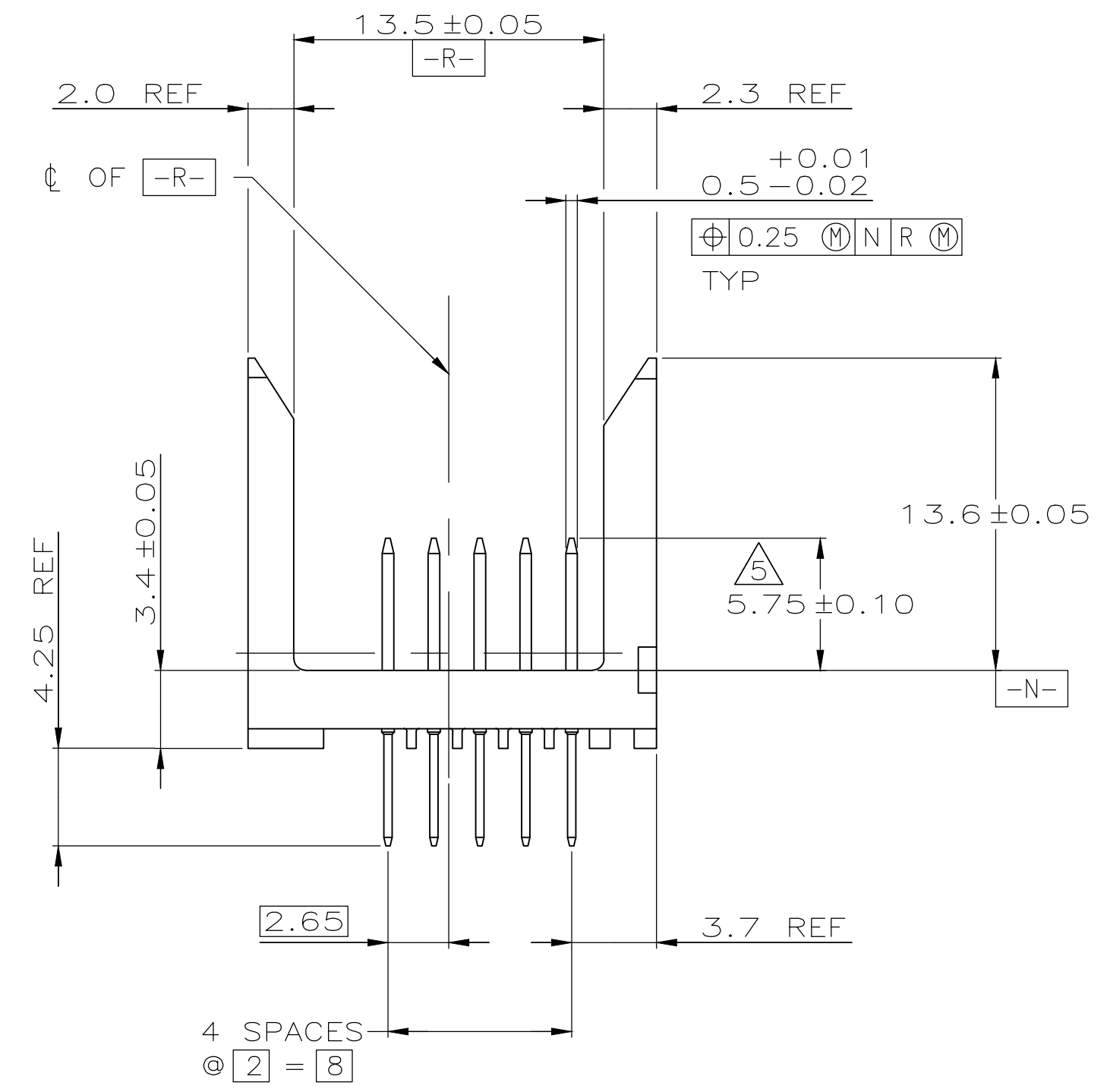
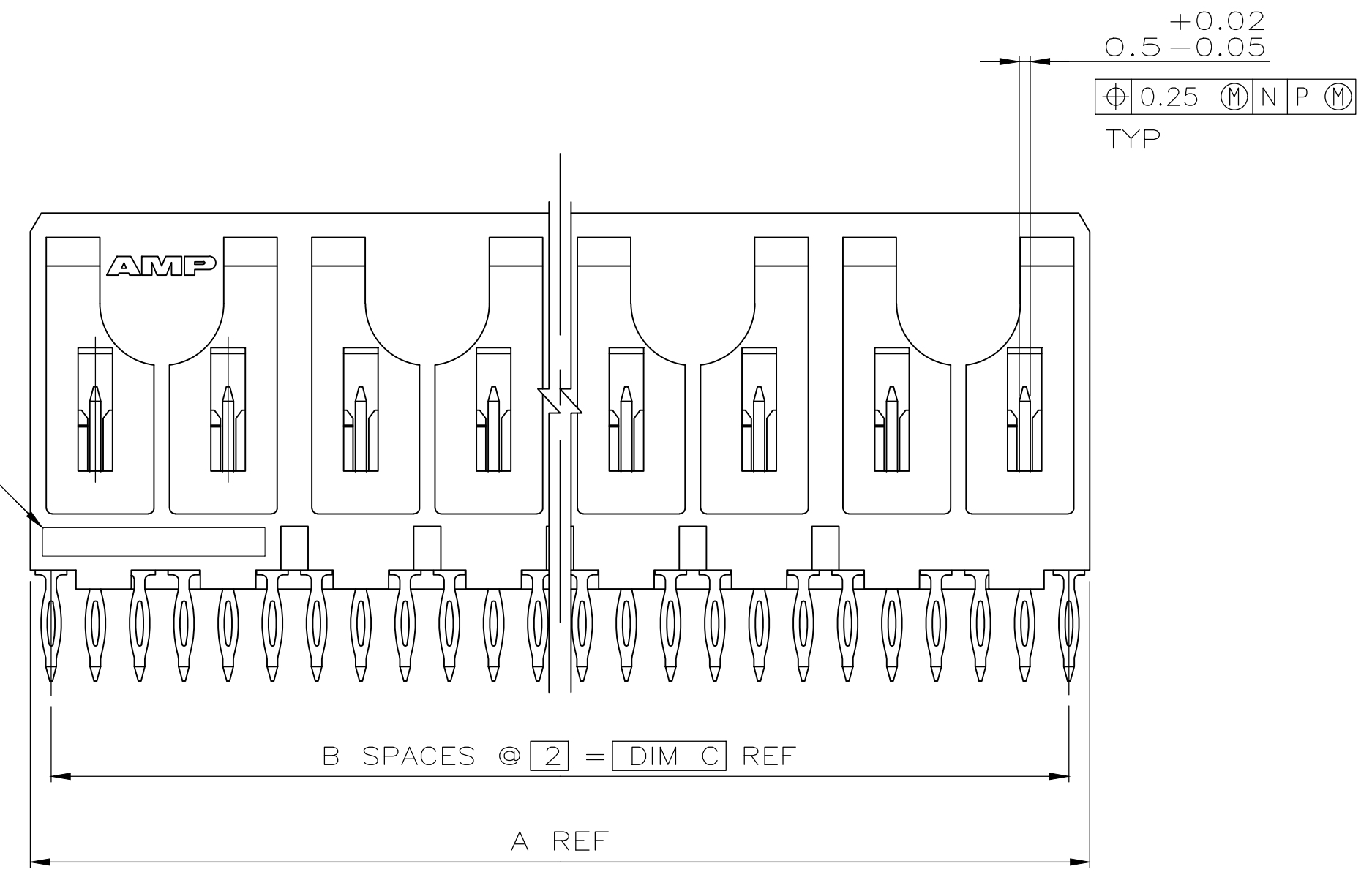
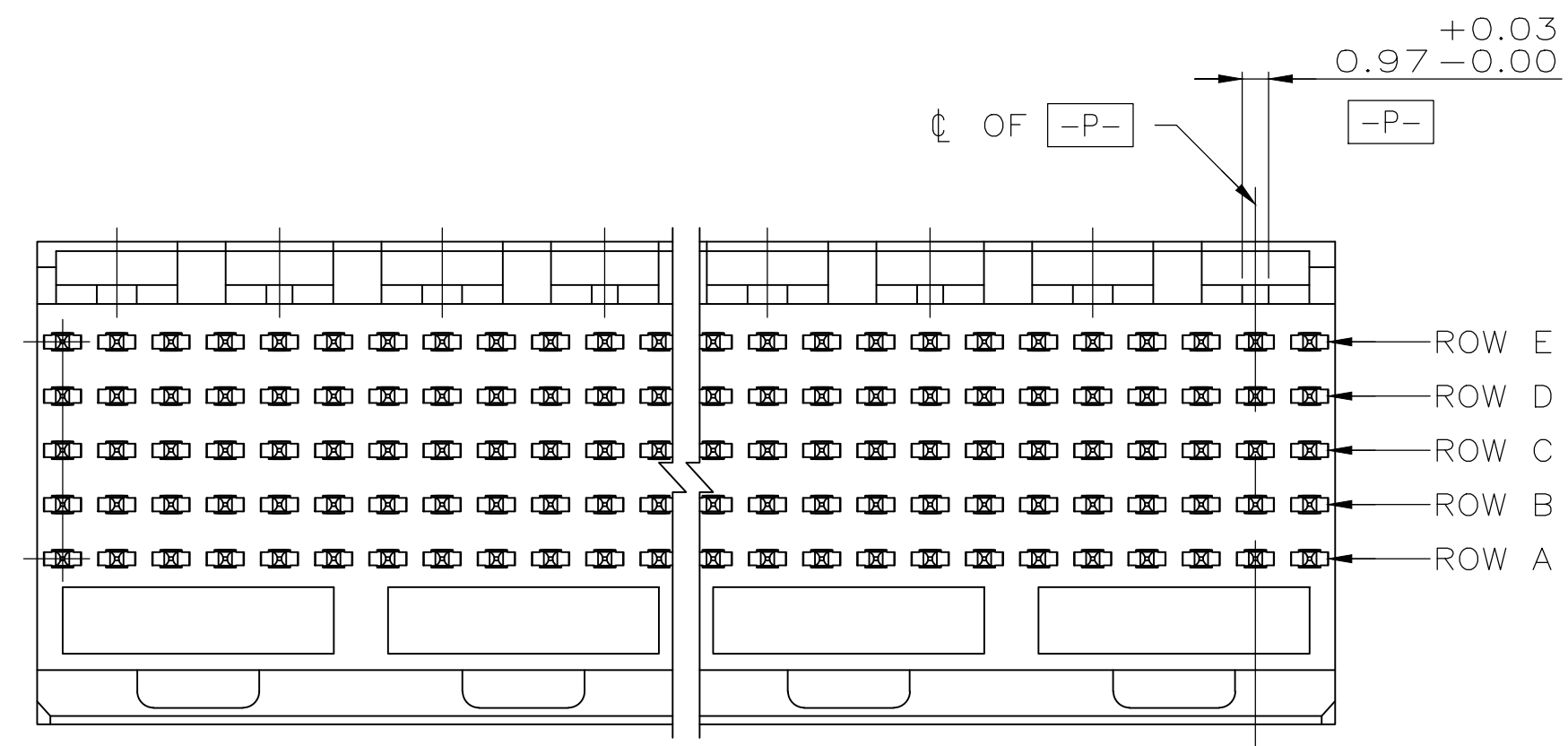
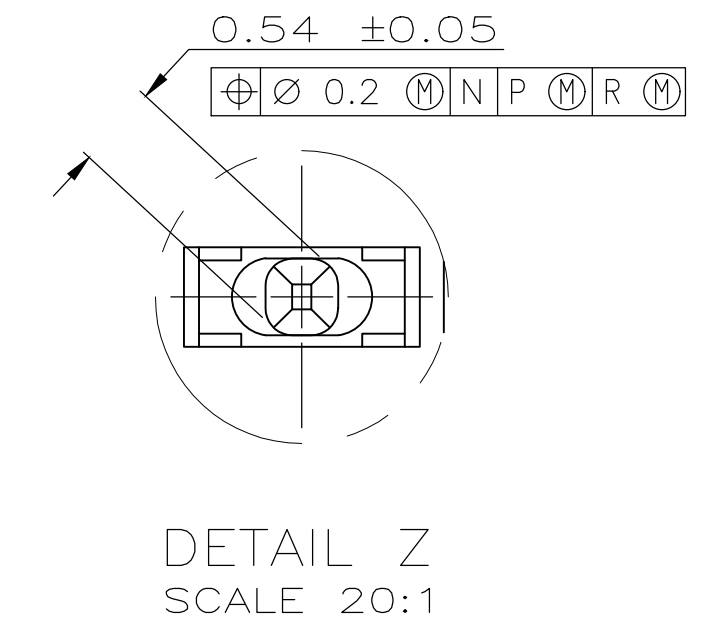


REVISIONS				
P	LTR	DESCRIPTION	DATE	APP'D
B		REVISED PER ECO-20-013368	22SEP20	RZ HL



- 1 HOUSING MATERIAL: LIQUID CRYSTAL POLYMER
COLOR: NATURAL.
- 2 CONTACT MATERIAL: PHOSPHOR BRONZE
- 3 CONTACT FINISH:(B)
UNDERPLATE (ENTIRE CONTACT):
0.00127 MIN NICKEL PER SAE-AMS-QQ-N-290
ON MATING SURFACES:
CONFORMS TO ALL TESTING SPECIFIED FOR TELCORDIA
UNCONTROLLED ENVIRONMENT.
ON LEADS:
0.0006 MIN MATTE TIN PER ASTM B 545 OVER UNDERPLATE.
LUBRICATION (MIN MATING SURFACES):
SURFACE CONDITIONER AFTER PLATING.
- 4 PART MARKING LOCATED APPROXIMATELY AS SHOWN.
- 5 DIMENSION APPLIES WHEN SEATED ON PRINTED CIRCUIT BOARD.
- 6 CONTACT FINISH:(B)
UNDERPLATE (ENTIRE CONTACT):
0.00127 MIN NICKEL PER SAE-AMS-QQ-N-290
ON MATING SURFACES:
0.00076 MIN NICKEL OR COBALT HARDENED GOLD
PER ASTM B-488 OVER UNDERPLATE.
ON LEADS:
0.0006 MIN MATTE TIN PER ASTM B 545 OVER UNDERPLATE.
LUBRICATION (MIN MATING SURFACES):
SURFACE CONDITIONER AFTER PLATING.



OBSOLETE	10	5	11.88	30	3-5223016-1
OBSOLETE	260	130	131.88	330	1-5223016-1
OBSOLETE	118	59	119.88	300	1-5223016-0
OBSOLETE	106	53	107.88	270	5223016-9
	94	47	95.88	240	5223016-8
OBSOLETE	82	41	83.88	210	5223016-7
OBSOLETE	140	70	71.88	180	5223016-6
OBSOLETE	58	29	59.88	150	5223016-5
	46	23	47.88	120	5223016-4
	34	17	35.88	90	5223016-3
	22	11	23.88	60	5223016-2
	10	5	11.88	30	5223016-1

RECOMMENDED CIRCUIT PATTERN
(COMPONENT SIDE)

THIS DRAWING IS A CONTROLLED DOCUMENT.

STE TE Connectivity

ASSEMBLY, PIN, SIGNAL, VERTICAL,
Z-PACK 2mm FB, 5 ROW, PRESS FIT LEADS

00779 C=5223016

SCALE 4:1 SHEET 1 OF 1 REV B