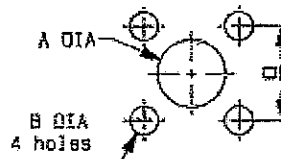
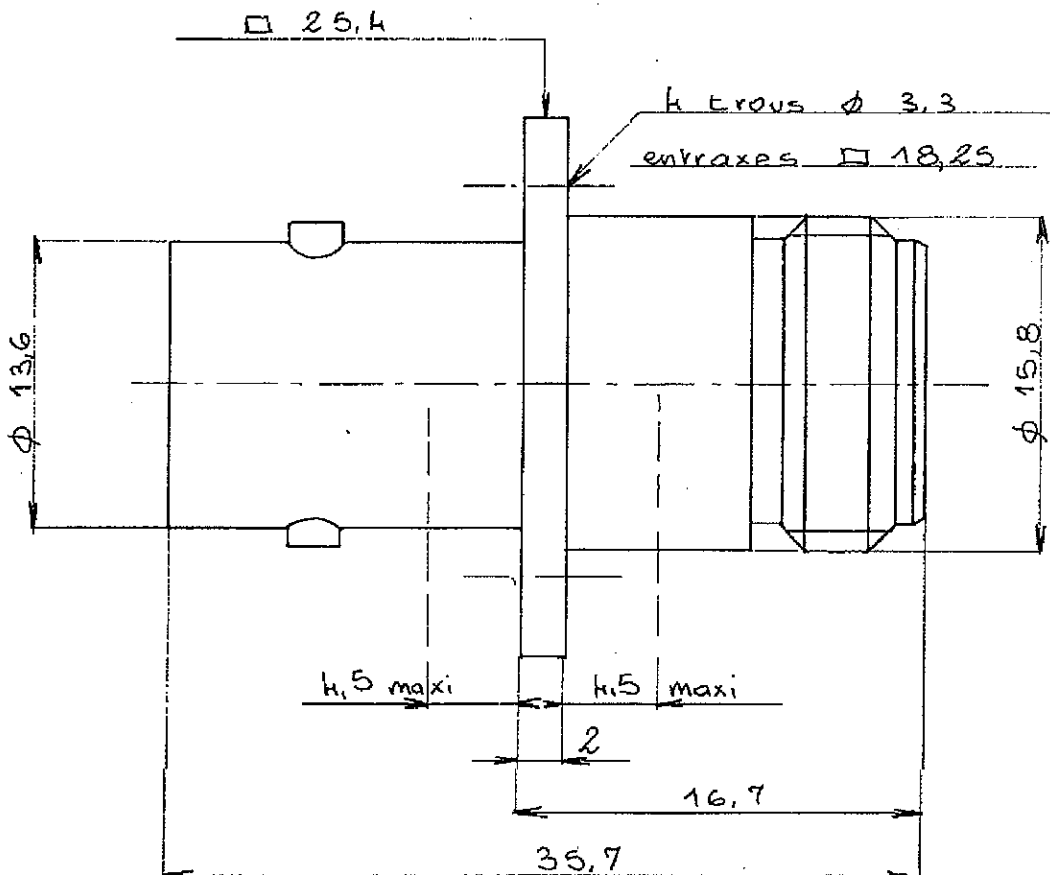


**N FEMALE - C FEMALE
FLANGE RECEPTACLE ADAPTER**



	MM		INCH	
	maxi	mini	maxi	mini
A	16.3	16.1	0.642	0.634
B	16.3	16.1	0.642	0.634
B	3.30	3.20	0.13	0.126
C	18.35	18.15	0.722	0.718

ISSUE	REVISION No	DESCRIPTION	BY	DATE
-	-	-	-	-
-	-	-	-	-
-	-	-	-	-

Initiated on

The information given here is subject to change without notice. Design changes may be in order to improve the product.



Approval by

PANJAT O.