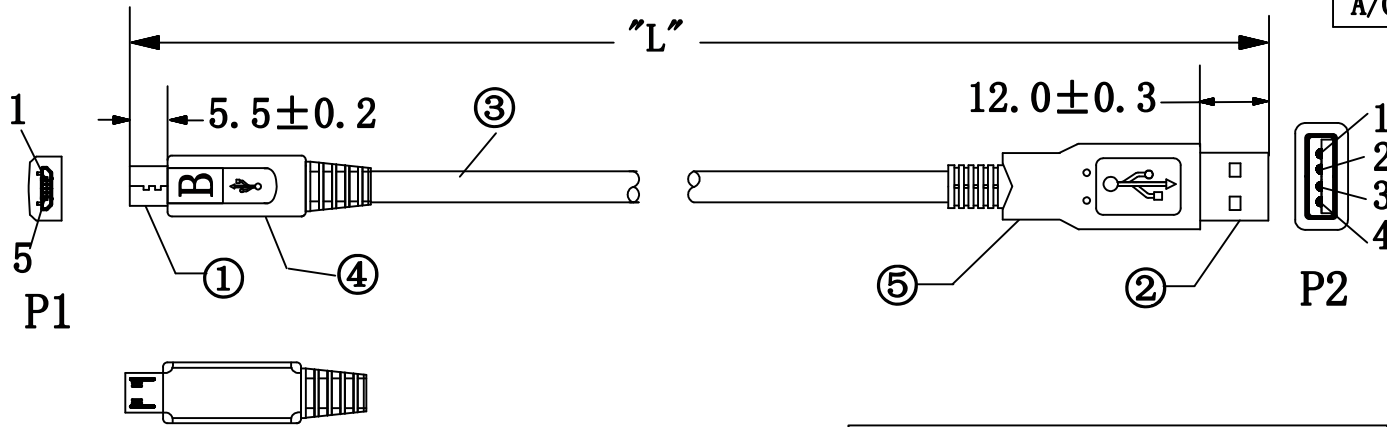


UNIT:MM

REVISION INFORMATION

Rev.	Rev. Date	Modified By	Brief Description
A/0	18-07-24	T0721A	NEW DRAWING



PIN ASSIGNMENT:

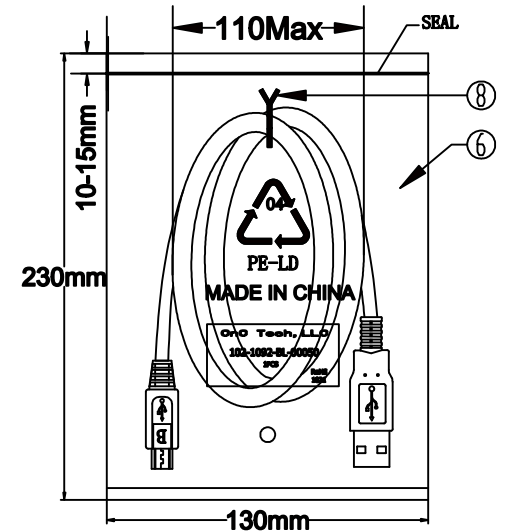
P1		P2
1	RED	1
2	WHITE	2
3	GREEN	3
5	BLACK	4
SHELL DRAIN+BRAID		SHELL

CABLE WHITE PRINT

E166160 AWM 2725 80°C 30V
28AWGX1P+28AWGX2C USB2.0

Electrical test:
 1. 100% short, open, miswire test
 2. Conduct resistance: 2 Ohm(max)
 3. Insulation resistance: 10Mohm(min)
 4. dielectric test: DC 300V

PART NO	WIRE LENGTH "L"	BUYER COLOR	VENDOR COLOR	CUT LENGTH
102-1092-BL-00050	500 ± 15		BLACK	495-500MM



1PCS/PE BAG

⑧	TIE	1	BLACK L=70mm
⑦	PE BAG	1/10	CLEAR SIZE:280X330X0.05mm PRINT BLACK"MADE IN CHINA"+"10PCS"
⑥	PE BAG	1	CLEAR SIZE:130X230X0.05mm PRINT BLACK"MADE IN CHINA"+"1PC"
⑤	OUT JACKET	6g	BLACK PVC-50P (MOULD NO:2002-527)
④	OUT JACKET	6g	BLACK PVC-50P (MOULD NO:WM-116)
③	CABLE	1	BLACK USB2.0 UL2725 28#/1P+28#/2C+AEB OD:3.8mm
②	CONN	1set	USB A MALE SHELL:NICKEL PIN G/F 3PCS TYPE INSULATOR COLOR:WHITE
①	CONN	1	MICRO USB 5P B/M SOLDER TYPE SHELL:NICKEL PIN:G/F INSULATOR COLOR:BLACK
NO.	NAME	QTY	SPECIFICATION

CnC Tech, LLC
Industrial Cable and Connector Technology

DRAWN BY:	DATE: 2018/07/24	DESCRIPTION: 4C CABLE USB A/M+MICRO USB	
CHECKED BY:	SHEET 1 of 1	ITEM NO. As above	
APPROVED BY:	SCALE 1:1	REV. A/0	UNIT: mm