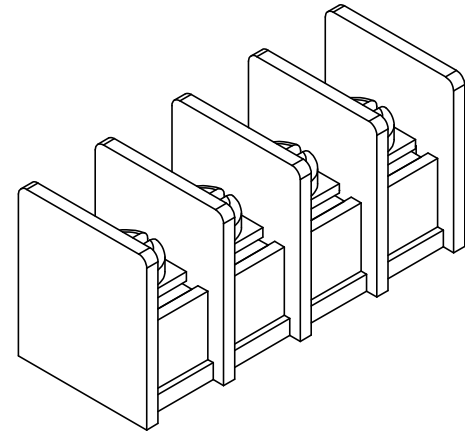
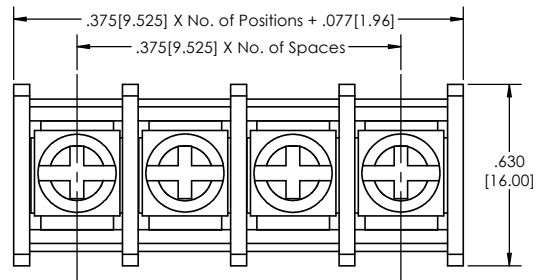
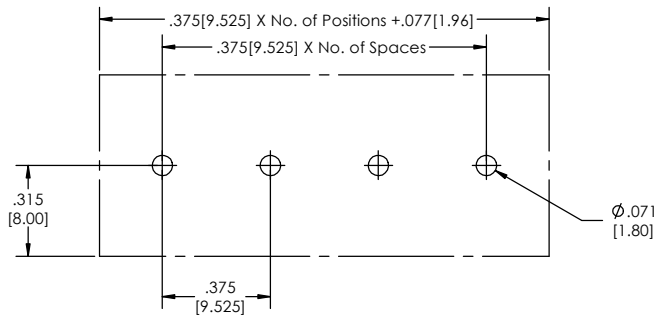


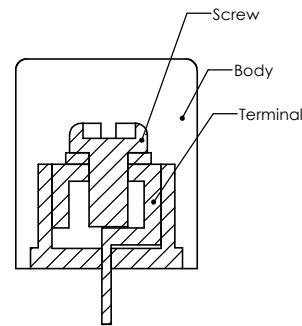
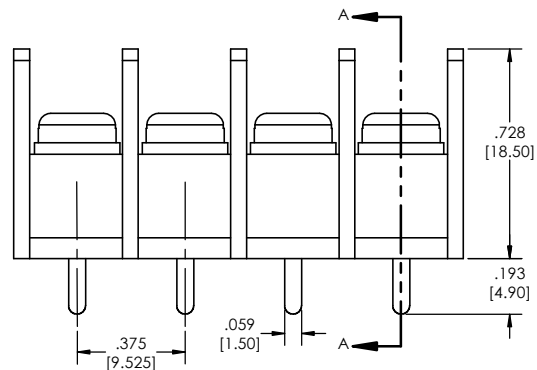
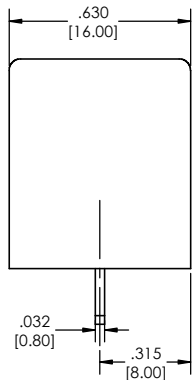
Recommended P.C. Board Layout
SCALE 3:1



TBB - 06 - **375** - **XX** - **XX** - **LF**
(A) (B) (C) (D)

- A. Pitch
- 375= .375(9.525) cl
- B. No. of Positions
- 02-24
- C. Color
- GR= Green (Standard)
- BK= Black
- BL= Blue
- WH= White
- GY= Grey
- OR= Orange
- YW= Yellow
- RD= Red
- BR= Brown
- D. Lead Free
- Specifications:
Current Rating: 25 Ampere
Voltage Rating: AC 300V
Wire Range: 12-22 AWG
Insulation Resistance: DC 500V 1000M ohms
Dielectric Withstanding Voltage: AC 2500V/1 minute
Operation Temperature: -30°C to +105°C
Strip Length: .394-.472 (10-12mm)

- Materials:
1. Body: PA66 (Nylon), UL94 V-0
2. Screw: M3.5, C1018 Steel, Nickel Plated
3. Terminal: H62 Brass, Tin Plated



SECTION A-A

Tails may be clipped to achieve specific dimensions.
Products cut to specific sizes are uncancellable/ nonreturnable.
Parts are subject to change without notice.



PROPRIETARY AND CONFIDENTIAL
THE INFORMATION CONTAINED IN THIS DRAWING IS THE SOLE PROPERTY OF Major League Electronics. ANY REPRODUCTION IN PART OR AS A WHOLE WITHOUT THE WRITTEN PERMISSION OF Major League Electronics IS PROHIBITED.

UNLESS OTHERWISE SPECIFIED:		NAME	DATE
DIMENSIONS ARE IN INCHES		DRAWN	EOW 04/16/14
TOLERANCES:		CHECKED	GWE 04/16/14
ONE DECIMALS ±.100		ENG APPR.	
TWO DECIMAL ±.010		MFG APPR.	
THREE DECIMAL ±.005		ADDRESS:	
FOUR DECIMAL ±.002		2533 Centennial Blvd. Jeffersonville, IN 47130	
NEXT ASSY USED ON		PHONE: 812-670-4174	
APPLICATION		FAX: 812-670-4175	
DO NOT SCALE DRAWING		E-MAIL: mle@mlelectronics.com	
INTERPRET GEOMETRIC TOLERANCING PER:		TITLE: TBB-06-375 Series	
MATERIAL		SIZE DWG. NO.	
FINISH		C	
		REV A	
		SCALE 3:1	
		SHEET 1 OF 1	

