

1

2

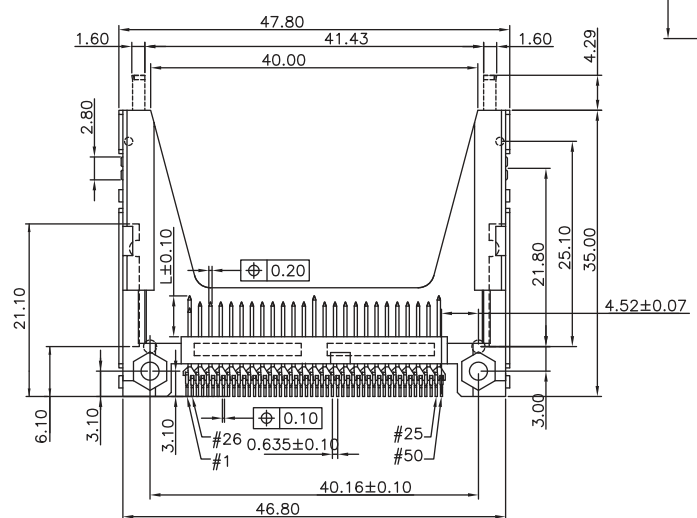
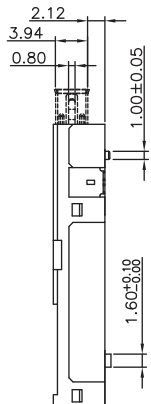
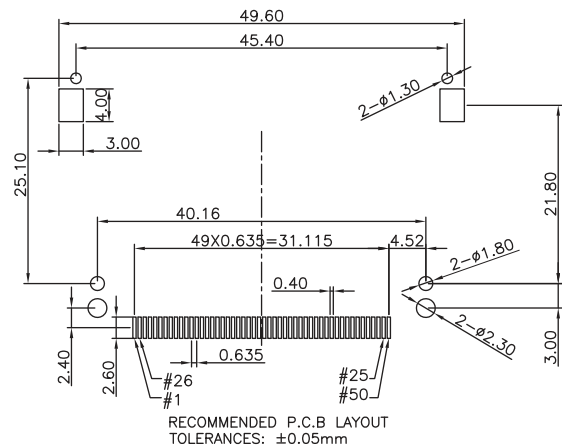
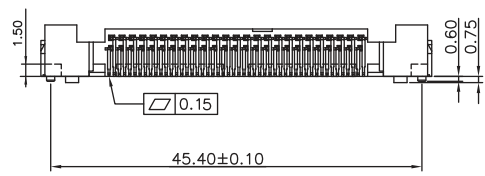
3

4

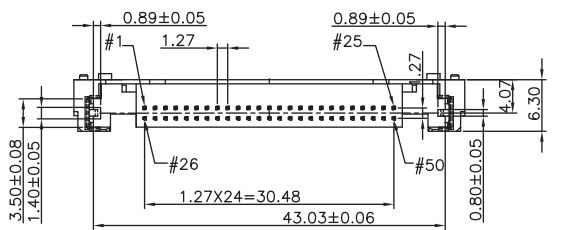
5



SOLDER POSITION



Pin type	Interface Dim. L	Pin No.
POWER	5.00mm	1,13,38,50
GENERAL	4.25mm	all other pins
DETECT	3.50mm	25,26



TECHNICAL CHARACTERISTICS

MATERIAL
 INSULATOR: LCP
 FLAMMABILITY RATING: UL94-V0
 COLOR: WHITE
 CONTACT MATERIAL: COPPER ALLOY
 CONTACT TYPE: STAMPED
 CONTACT PLATING: SELECTIVE GOLD
 SHIELDING: COPPER ALLOY
 QUALITY CLASS: 5000 MATING CYCLES

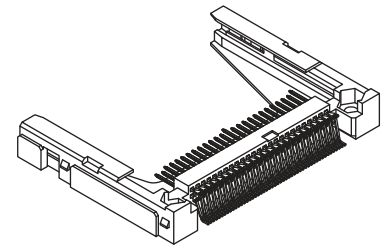
ENVIRONMENTAL
 OPERATING TEMPERATURE: -25°C u p to +85°C
 COMPLIANCE: LEAD FREE AND ROHS

ELECTRICAL
 CURRENT RATING: 0.5A
 WORKING VOLTAGE: 100 VAC
 INSULATOR RESISTANCE: >1000 MΩ
 DIELECTRIC WITHSTANDING VOLTAGE: 500 VAC/MIN
 CONTACT RESISTANCE: 50 mΩ MAX

STANDARD
 CERTIFIED: E323964

SOLDERING
 JEDEC LEAD FREE REFLOW SOLDERING

PACKAGING
 TAPE & REEL



RoHS Compliant			
G			
F			
E			
D			
C	24-NOV-15	UL CERTIFICATION	AK
B	12-FEB-17	TKP	GG
A	11-AUG-31	PDF	GG
REV	DATE	FILE	BY

PROJECTION:	
APPROVAL: NPr	

GENERAL TOLERANCE	
.X = +/- 0.2	
.XX = +/- 0.15	
UNIT: MM	
SCALE:	
SHEET: 1/3	
DRAW: VICKY	

WÜRTH ELEKTRONIK	
DESCRIPTION: Compact Flash Card Connector - Header - Reverse type	
50 pins	
WERI PART NO: 693 120 025 011	

SIZE	
A4	

A

B

C

D

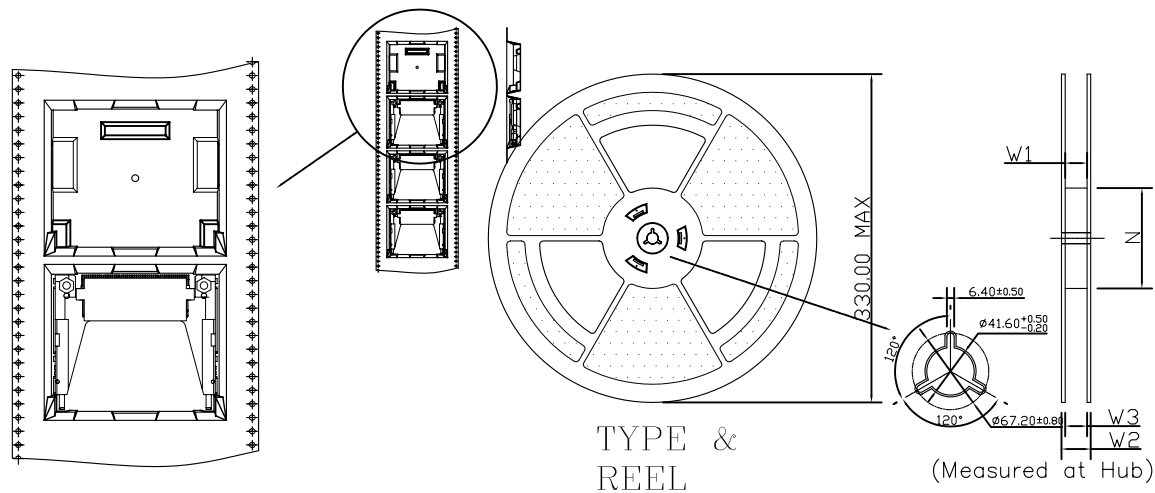
1

2

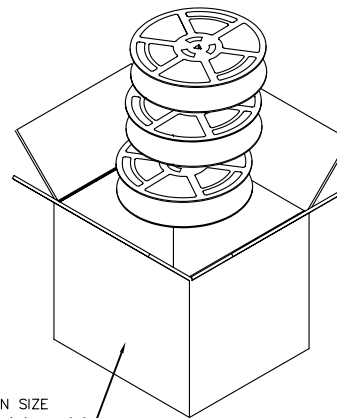
3

4

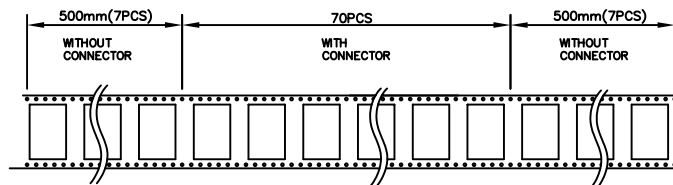
5



Tape Size	N (Min)	W1 ^{+2.00} / _{-0.6}	W2(Max)	W3(Max)
72	100	72.4	78.4	75.4



- NOTES
1. MATERIALS: PS (BLUE)
 2. PACKING: 70PCS/TYPE & REEL (210PCS/CARTON)



RoHS Compliant				
G				
F				
E				
D				
C				
B				
A				
REV	DATE	FILE	BY	

PROJECTION:	
APPROVAL: NPr	

GENERAL TOLERANCE
.X = \pm 0.2
.XX = \pm 0.15
UNIT: MM
SCALE:
SHEET: 2/3
DRAW: VICKY

DESCRIPTION: Compact Flash Card Connector - Header - Reverse type 50 pins	
WERI PART NO: 693 120 025 011	

SIZE
A4

A

B

C

D

1

2

3

4

5

Cautions and Warnings:

This electronic component is designed and developed with the intention for use in general electronics equipments.

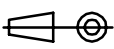

Before incorporating the components into any equipments in the field such as aerospace, aviation, nuclear control, submarine, transportation, (automotive control, train control, ship control), transportation signal, disaster prevention, medical, public information network etc. where higher safety and reliability are especially required or if there is possibility of direct damage or injury to human body, Würth Elektronik must be asked for a written approval.

In addition, even electronic component in general electronic equipments, when used in electrical circuits that require high safety, reliability functions or performance, the sufficient reliability evaluation-check for the safety must be performed before by the user before usage.

A

B

C

RoHS Compliant				PROJECTION: 	GENERAL TOLERANCE .X = +/- 0.2 .XX = +/- 0.15		DESCRIPTION: DISCLAIMER	SIZE A4
G								
F								
E								
D				APPROVAL: JC	UNIT: MM	WERI PART NO: DISCLAIMER	SIZE A4	
C					SCALE:			
B					SHEET: 3/3			
A	10-SEP-14	PDF	QL		DRAW: QL			
REV	DATE	FILE	BY					

D