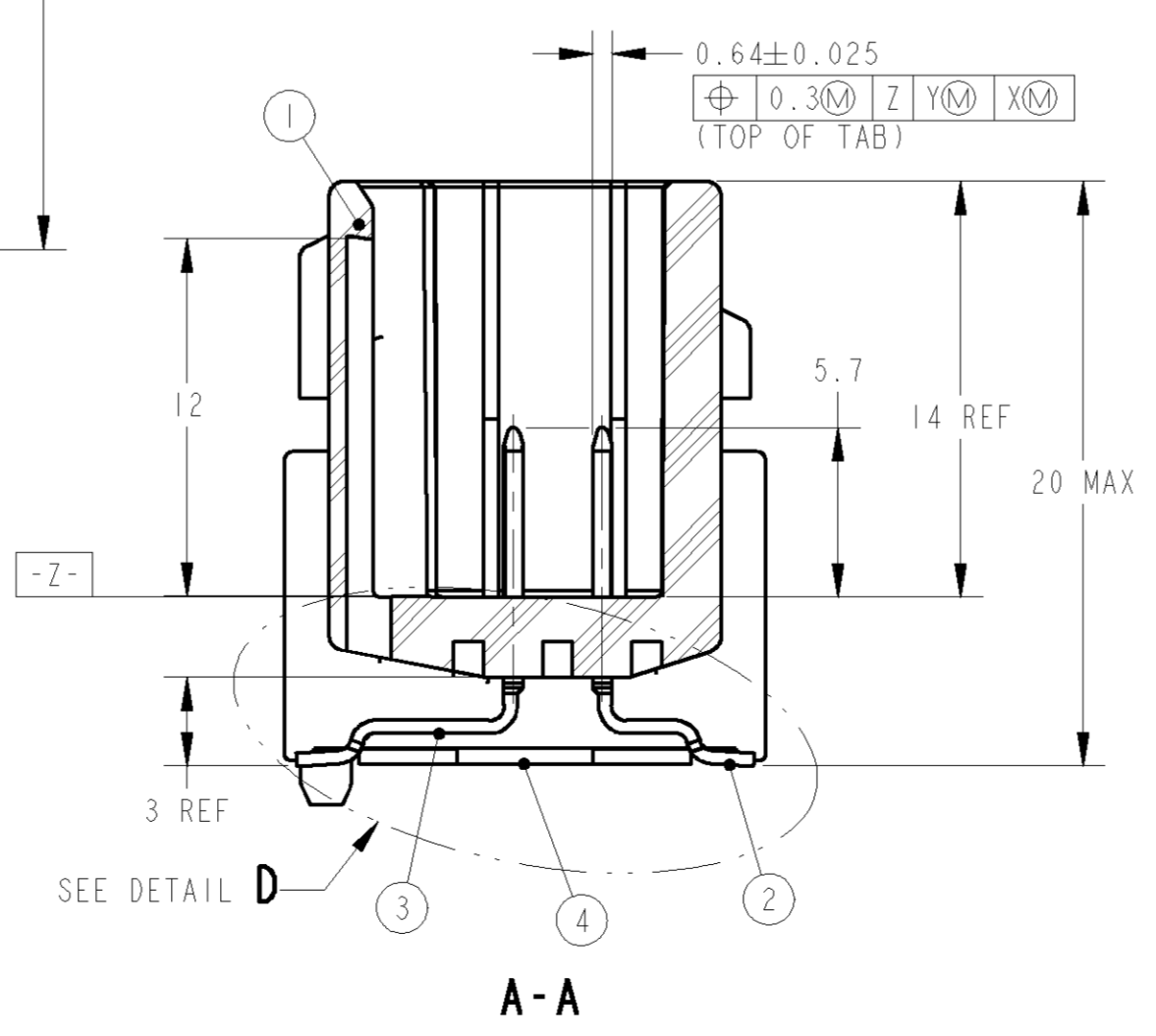
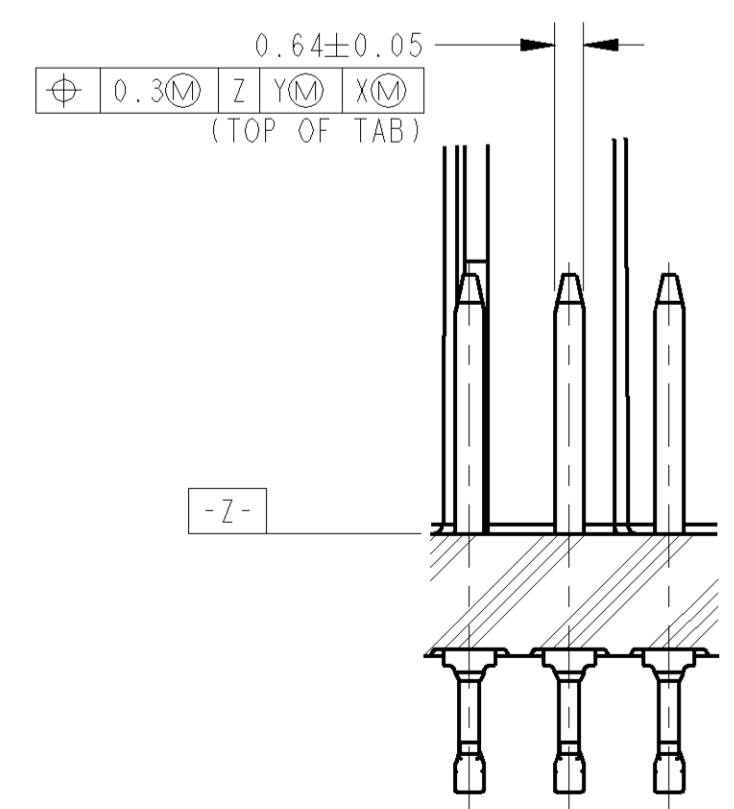
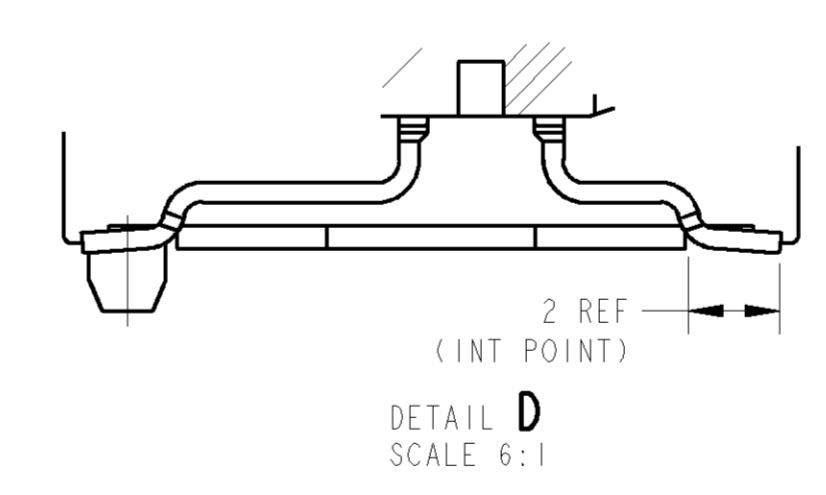
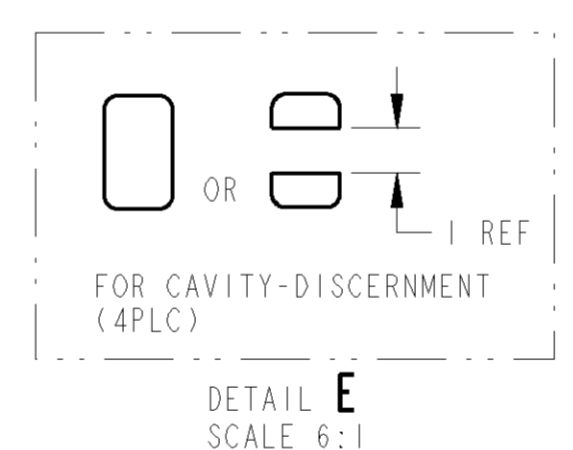
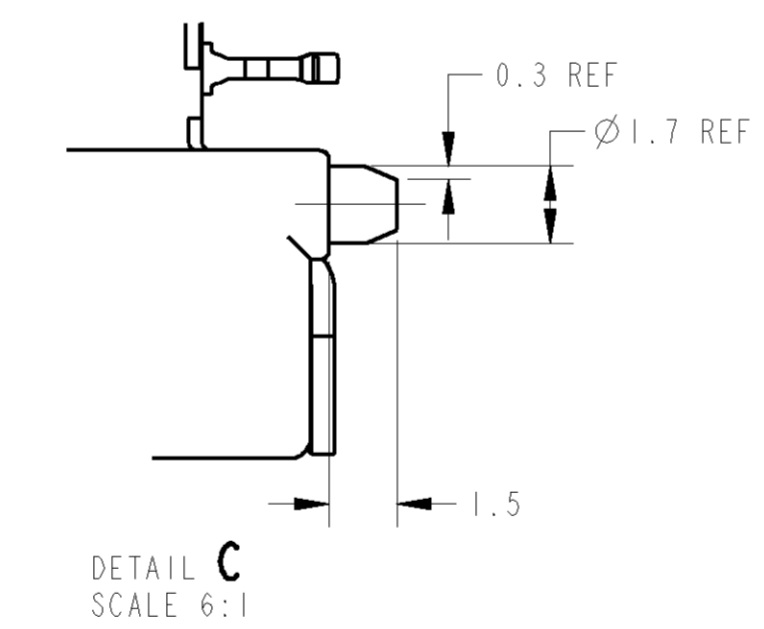
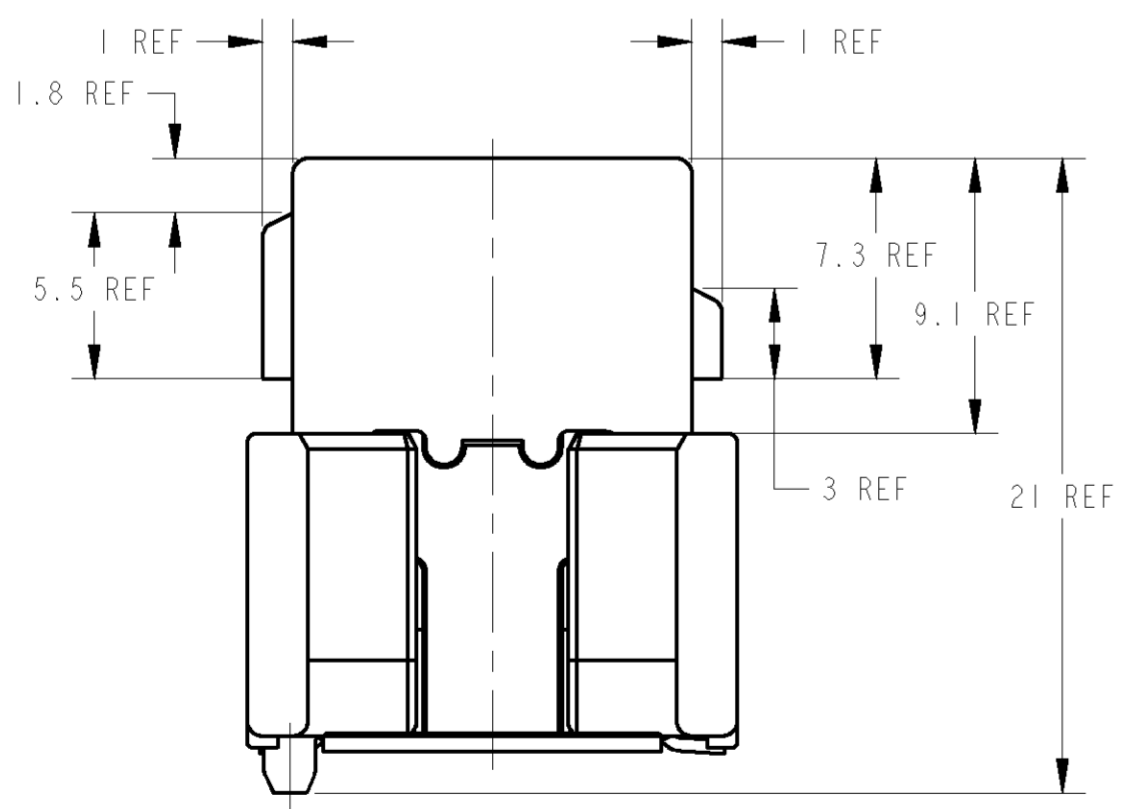
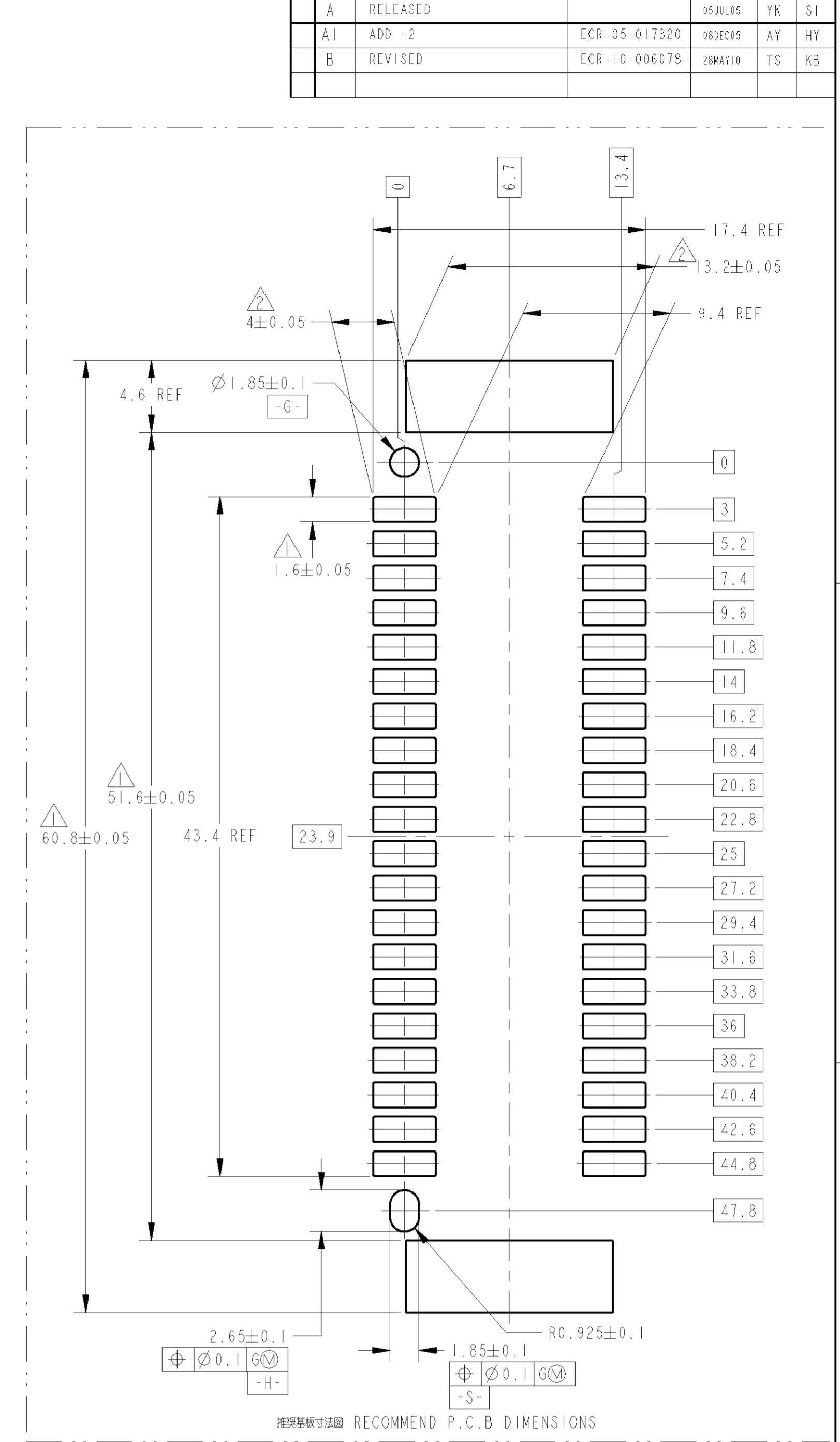
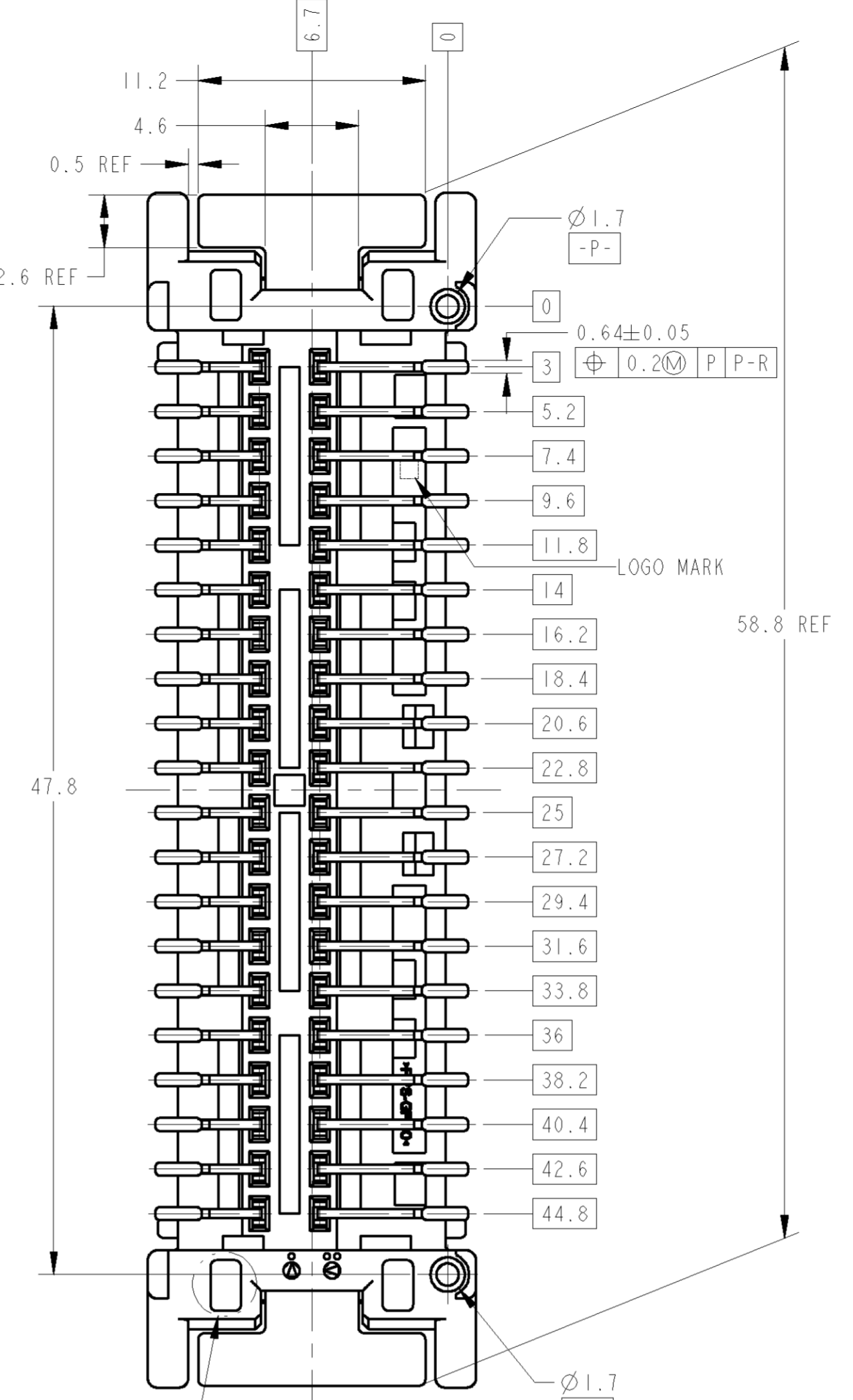
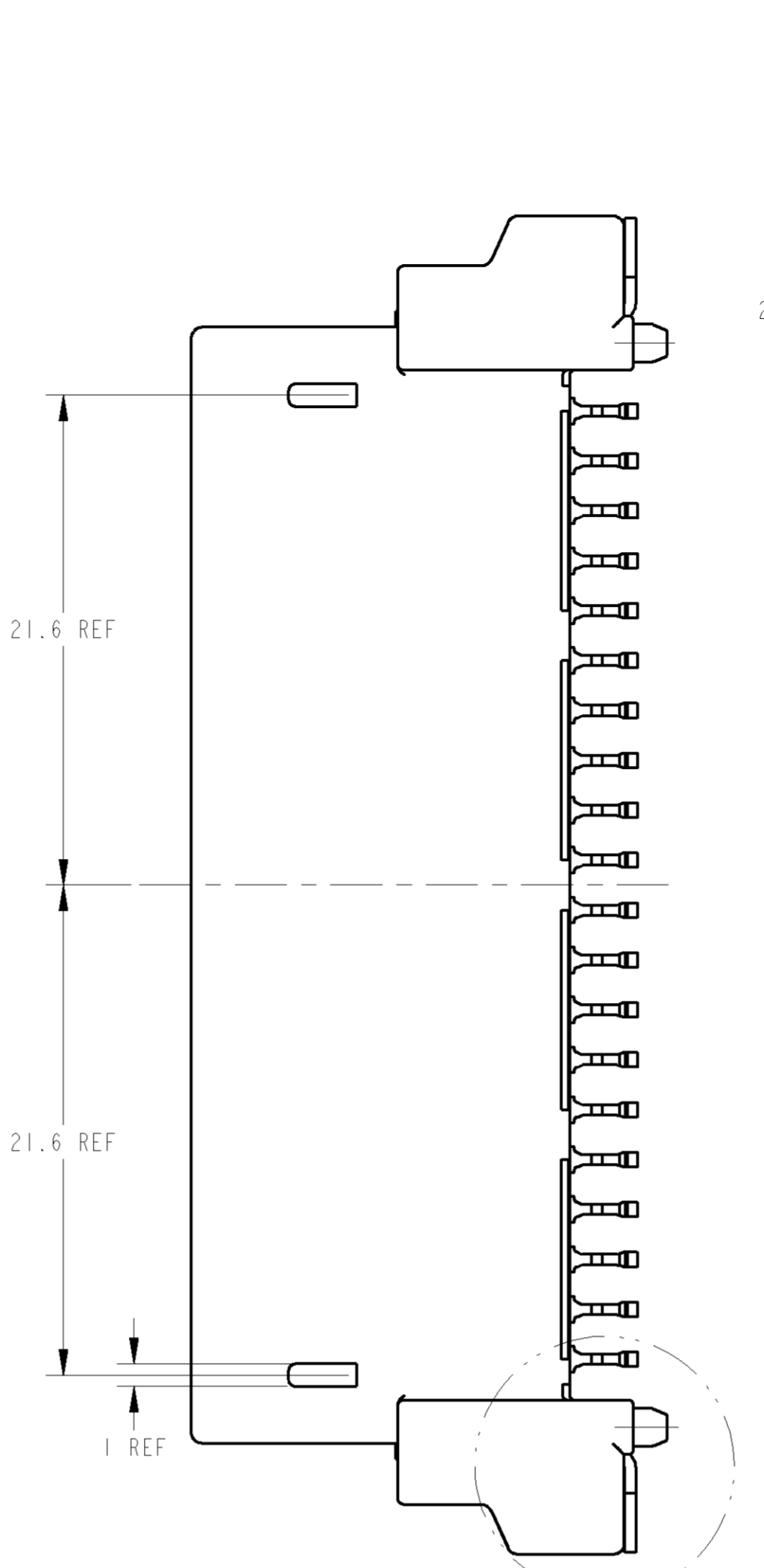
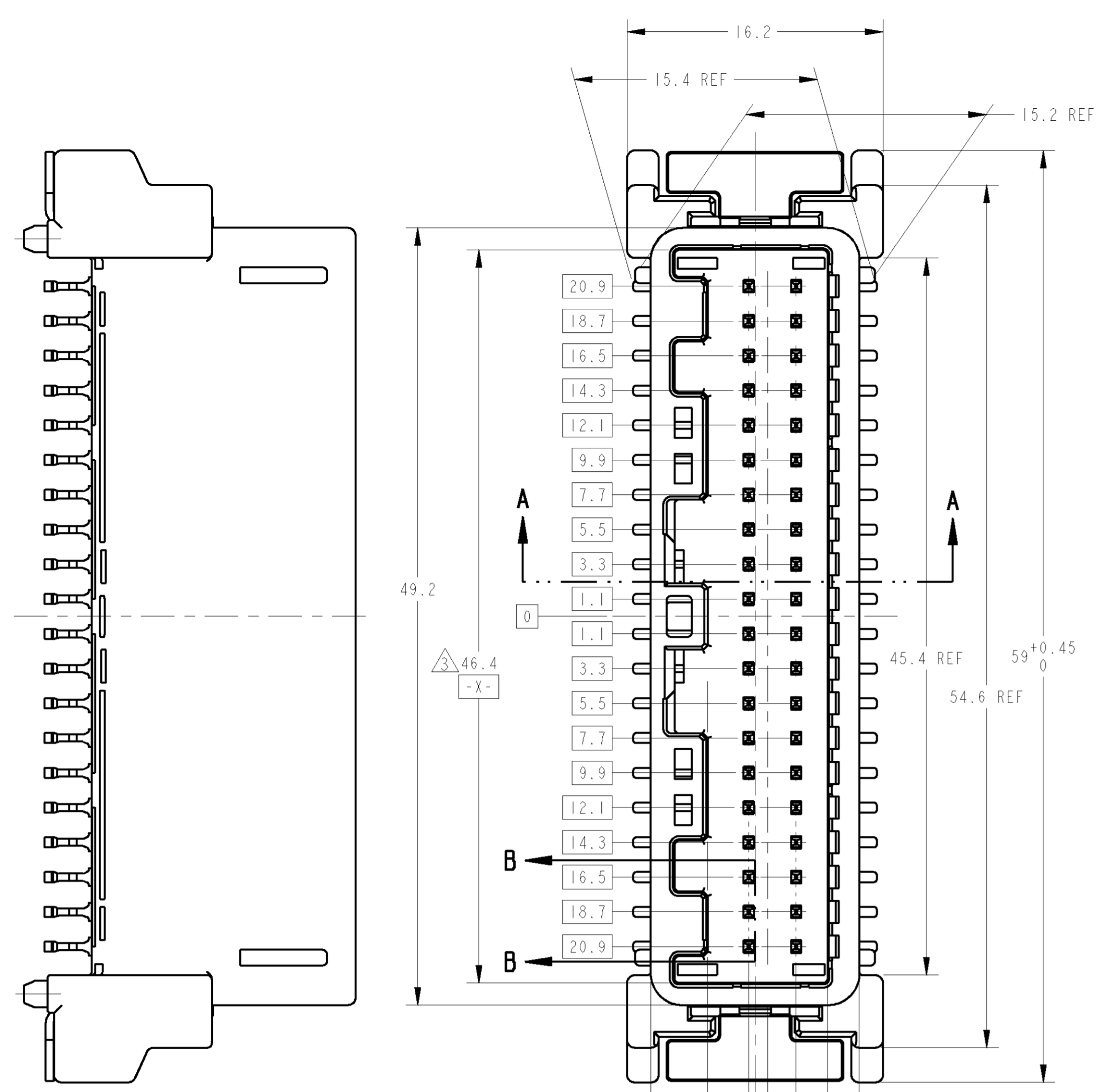


REV. LIST		REVISIONS				
NO.	DATE	DESCRIPTION	ECR	DATE	OWN	APPR
A	RELEASED			05JUL05	YK	S1
A1	ADD -2		ECR-05-017320	08DEC05	AY	HY
B	REVISED		ECR-10-006078	28MAY10	TS	KB



- △ . POSITION TOLERANCE $\oplus \ominus \varnothing 0.1 \text{ (S)} \text{ [G] [G-S]}$ を適用すること
- △ . POSITION TOLERANCE $\oplus \ominus \varnothing 0.1 \text{ (S)} \text{ [G] [G-S]}$ を適用すること
- △ . -Z- 基準より6mmの位置で測定
- △ . 最大寸法で管理
- 5. 嵌合端子コネクタの図番: TABLE-1 参照
- 6. 端子仕様: TABLE-2 参照
- 7. 本製品の公差は取組説明書 No. 411-78145 に従うこと
- 8. 適用基板の厚さは 1.6mm
- 9. 実装時の半田ペーストの厚さは 0.15mm 以上
- △ . POSITION TOLERANCE $\oplus \ominus \varnothing 0.1 \text{ (S)} \text{ [G] [G-S]}$
- △ . POSITION TOLERANCE $\oplus \ominus \varnothing 0.1 \text{ (S)} \text{ [G] [G-S]}$
- △ . MEASURED AT 6mm FROM -Z-
- △ . MUST BE CONTROLLED AT MAXIMUM DIMENSION
- 5. MATING CONNECTOR PART NO.: SEE TABLE-1
- 6. DETAIL OF TERMINALS: SEE TABLE-2
- 7. HANDLING OF THIS PART SHOULD FOLLOW INSTRUCTION SHEET NO. 411-78145
- 8. APPLICABLE PRINTED CIRCUIT BOARD'S THICKNESS 1.6mm
- 9. WHEN MOUNTING, THICKNESS OF SOLDER PASTE; 0.15mm MIN.

POS. 種別	FINISH	TYPE
40	TIN	0.64

POS. 種別	TYPE	P/N
40	0.64 CRIMP	1318389
40	0.64111 CRIMP	1674312
40	0.64 IDC	1318693

PACKING STYLE 梱包形態	PACKING STYLE		
	TYPE	FINISH/COLOR	NO.
SAME AS -1	2	SOLDER PEG	4
	20	0.64 TAB CONTACT (L)	POST-TIN 3
	20	0.64 TAB CONTACT (S)	POST-TIN 2
	1	40P CAP HOUSING	BLACK 1
NAME		FINISH/COLOR NO.	

OWNER: I. KAWAHARA CHK: H. YAMAGAMI	DATE: 05JUL05	Tyco Electronics Corporation Kawasaki, Japan
APPROVED: S. ISHIGATA	DATE: 05JUL05	
DIMENSIONS: 単位: mm		PRODUCT SPEC: 108-78295
TOLERANCES UNLESS OTHERWISE SPECIFIED: 公差: ±0.3		APPLICATION SPEC: 10-0001
MATERIAL: HOUSING: PPS GF40 CONTACT: BRASS SOLDER PEG: BRASS		WEIGHT: 11.5 g
FINISH: SEE TABLE		CUSTOMER DRAWING
DRAWING NO: 1747642-2		SIZE: A1
CAGE CODE: 00779		REV: 1
SHEET: 4 of 1		REV: B