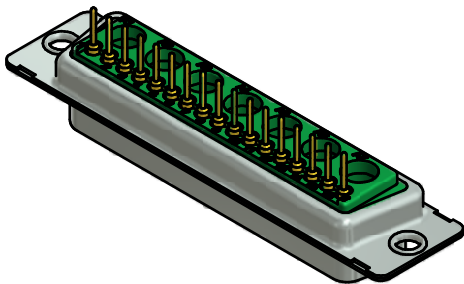
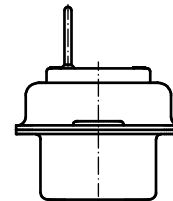
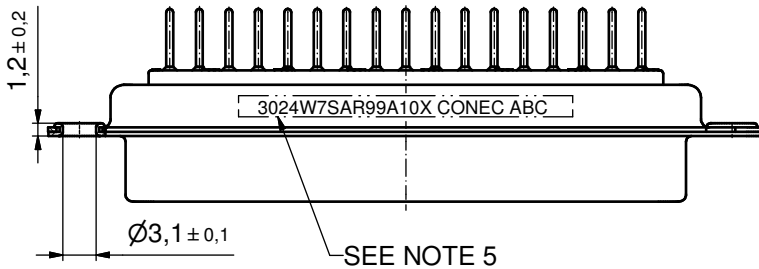
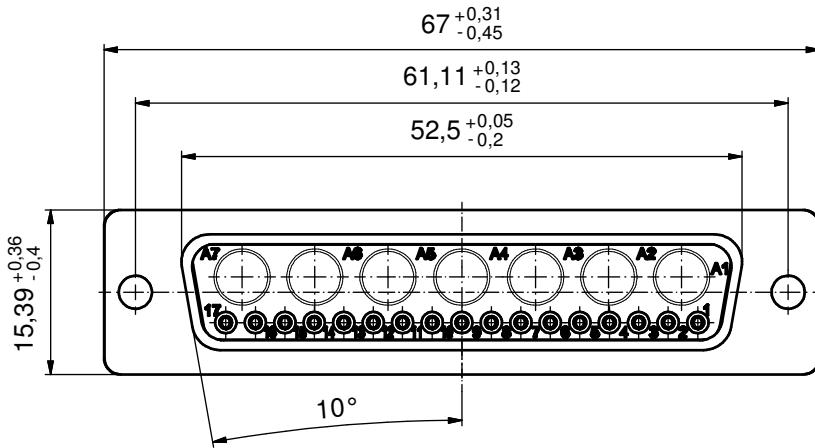
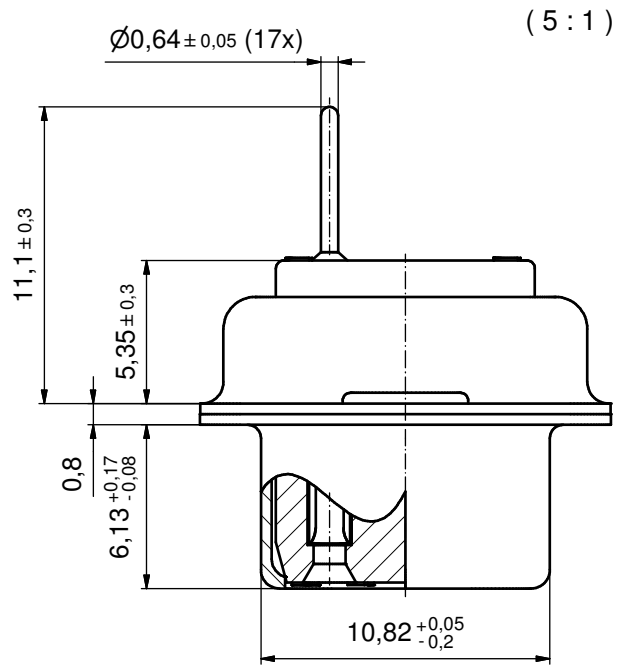


P.C.B. HOLE DRILLINGS
(P.C.B. TOP SIDE)



NOTES:

- METALSHELLS: STEEL; min. 315µm TIN over 40-80µm NICKEL
- INSULATORS: PBT GF UL 94 V-0, GREEN
- SIGNAL CONTACTS: COPPER ALLOY
PLATING: GOLD FLASH over NICKEL
- NO CONTACTS ON POS. A1 - A7
- CONNECTOR IS PART MARKED: 3024W7SAR99A10X CONEC ABC

Directive 2002/95/EC RoHS compliant

THIS DRAWING MAY NOT BE COPIED OR REPRODUCED IN ANY WAY, AND MAY NOT BE PASSED ON TO A THIRD PARTY WITHOUT WRITTEN PERMISSION. OWNERSHIP AND COPYRIGHT OF CONEC GmbH DO NOT ALTER CAD DRAWING BY HAND	tolerance		dim. in mm	scale: 2:1 (5:1)		
				material: SEE NOTES		
	drawn	11.05.11	name		title: D-SUB COMBINATION FEMALE 24W7S	
	appd.	11.05.11	name			
	norm					
		d-old		dwg no:	Inventor 10	DIN-A3
a	Original			13K1A3674		sh: 1
rev.	description	date	name	part no: 3024W7SAR99A10X		

