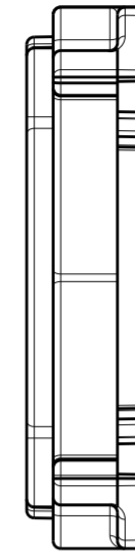
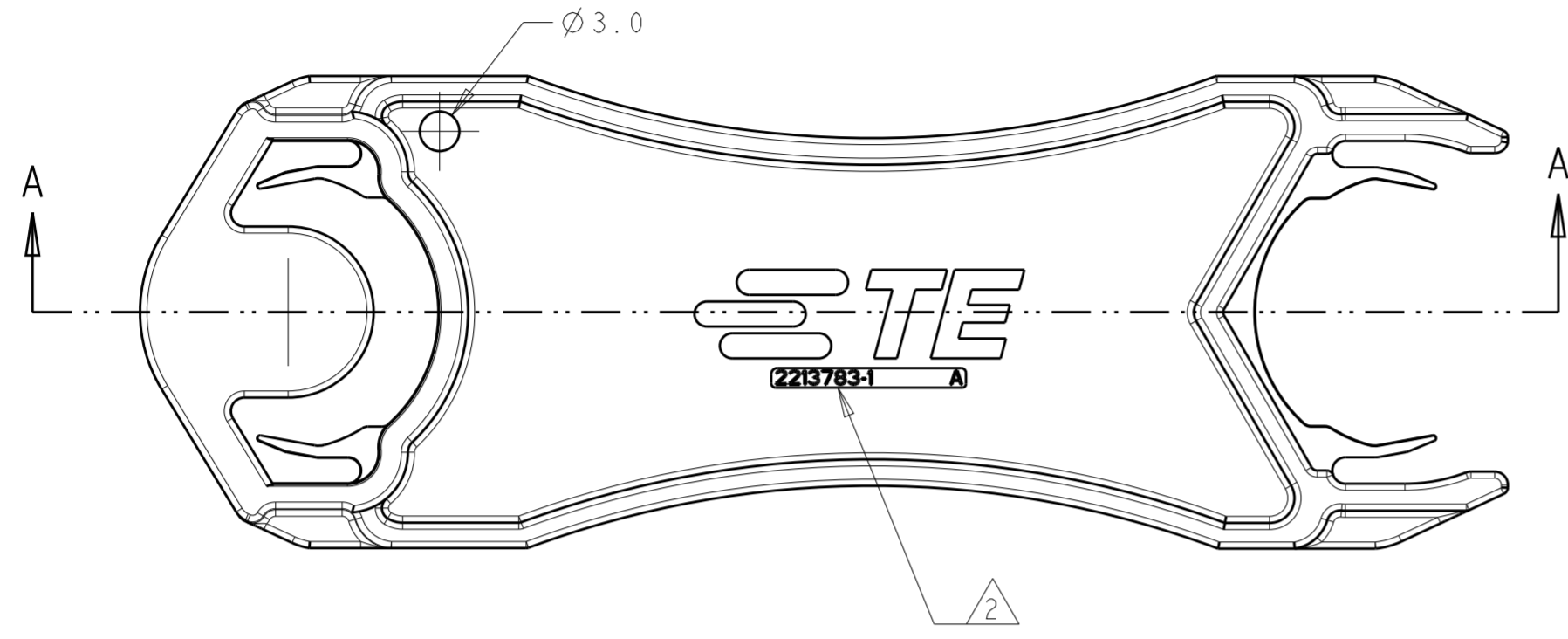
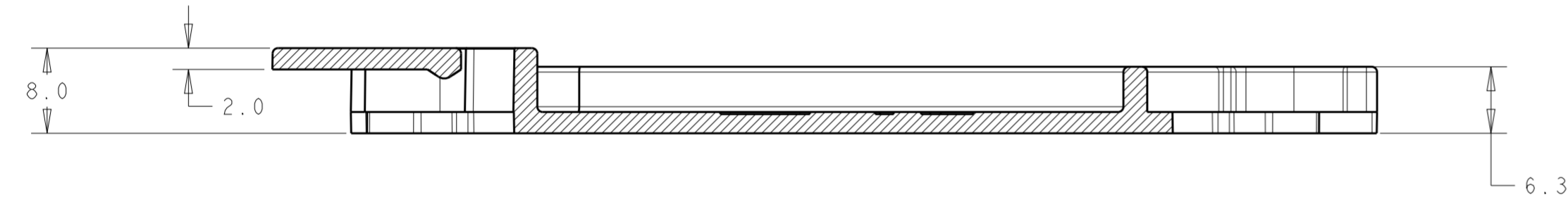


THIS DRAWING IS UNPUBLISHED. RELEASED FOR PUBLICATION
 © COPYRIGHT copyright.d8te- ALL RIGHTS RESERVED.

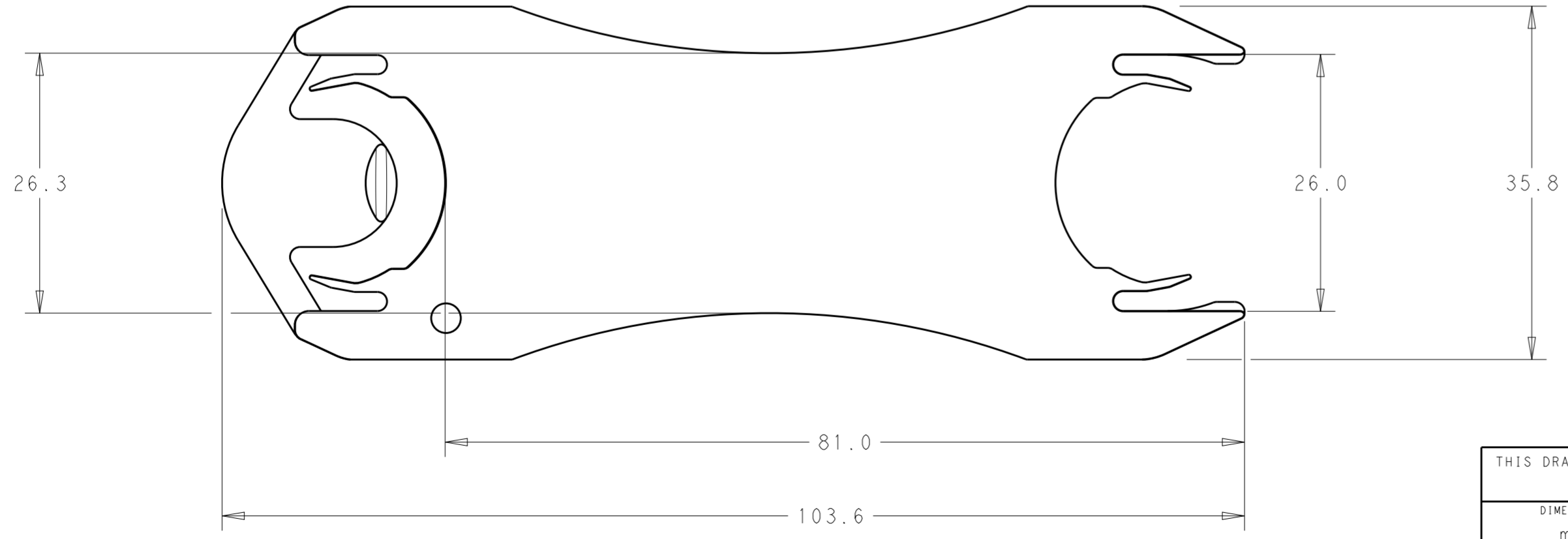
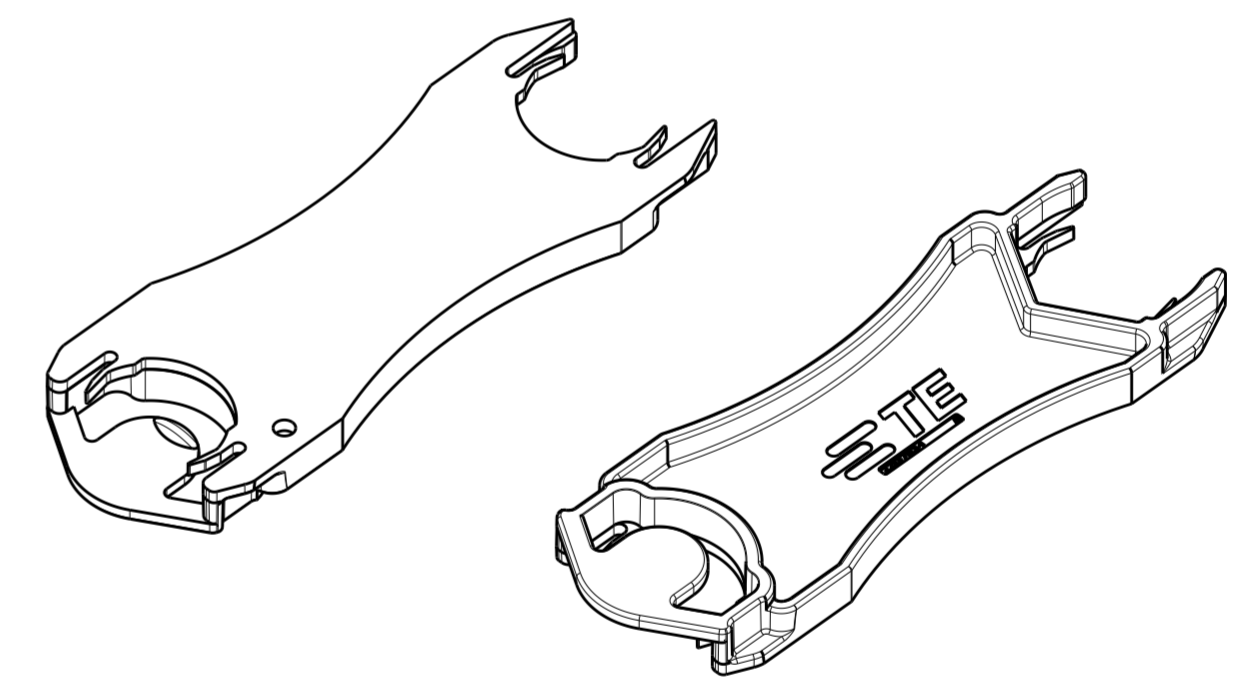
REVISIONS				
P	LTR	DESCRIPTION	DATE	APVD
A		REVISED PER ECR-16-008023	14JUN2016	RS JL



- 1 MATERIAL: POLYCARBONATE
- 2 TE PART NUMBER.



SECTION A-A



2213783-1
PART NO.

THIS DRAWING IS A CONTROLLED DOCUMENT.		DWN RAVLS 23FEB2016	STE TE Connectivity	
DIMENSIONS: mm		CHK LATORRE JUSTIN 23FEB2016		
TOLERANCES UNLESS OTHERWISE SPECIFIED:		APVD LATORRE JUSTIN 23FEB2016	NAME NECTOR M 5,6,7P DE-LATCH TOOL	
0 PLC ±	1 PLC ±0.1	PRODUCT SPEC	SIZE A2	CAGE CODE
2 PLC ±0.05	3 PLC ±	APPLICATION SPEC	DRAWING NO C-2213783	RESTRICTED TO
4 PLC ±	ANGLES ±	WEIGHT	SCALE 1:1	SHEET 1 OF 1
MATERIAL 1	FINISH -	CUSTOMER DRAWING	REV A	