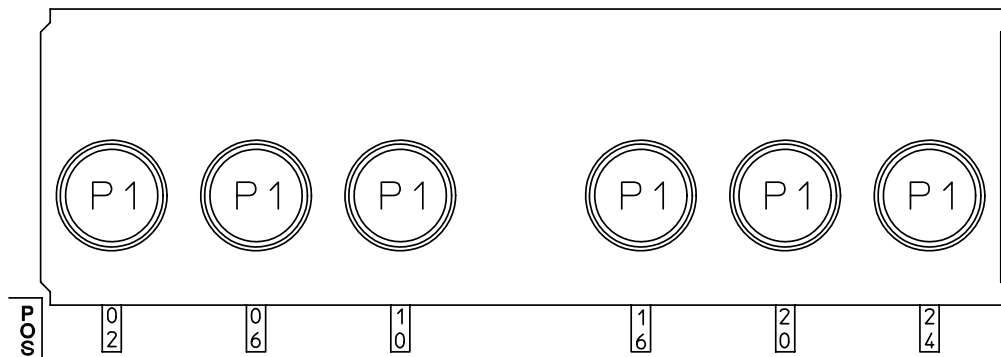


GEN. ST.	01	02	03	04	05	06	07	08	0D	50	60	70	80	90																	
INT. ST.	10	11	12	13	14	18	20	31	32	33	34	38	39	40	42	43	44	45	46	48	56	70	72	73	75	76	81	82	83	84	88

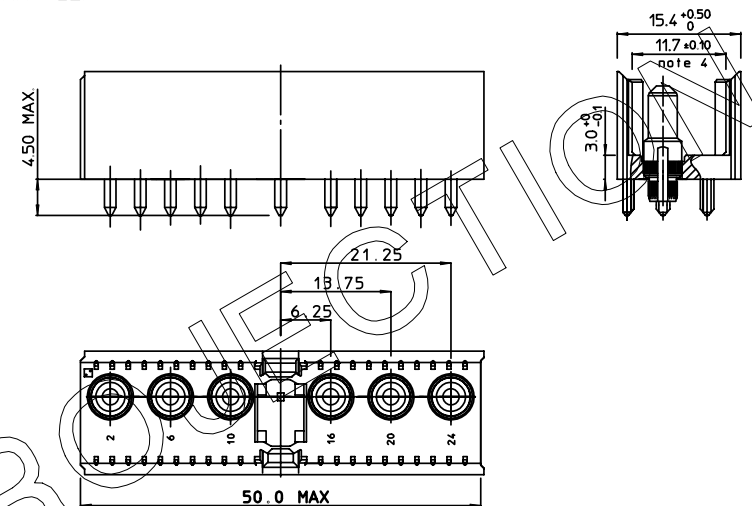
REV.	DATE	DESCRIPTION	BY	C'K'D'
A	2009-05-30	109-0090	ALEX B	BKP

LOADING PATTERN REAR MATING SIDE

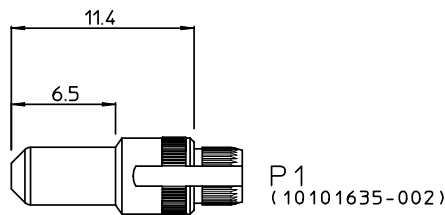


NOTE : FOR CONTACT CODE SEE CONTACT OVERVIEW

LOADED CONNECTOR ASSEMBLY (FOR EXAMPLE)



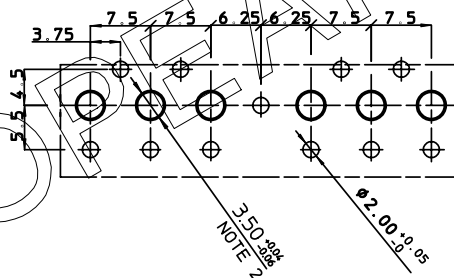
CONTACT OVERVIEW



PERFORMANCE CHARACTERISTICS:

- *MAX. CURRENT: 40 A
- *MAX. CONTACT RESISTANCE: 5 mΩ

LAY-OUT P.C.B.-HOLE



HM2P10PGL3W0 LEAD FREE INDICATOR : LF = LEAD FREE (DIGIT 13 & 14)

NOTES

1. THIS PRODUCT IS CSA APPROVED. THIS PRODUCT IS UL RECOGNIZED.
2. PCB HOLE DEFINITION:

Ø drilled hole	Cu plating	SnPb/Sn plating	Ø finished hole after reflow
3.57 - 3.60	25 µm min.	5 µm min.	3.49 - 3.52

3. PLATING: 0.8µm Au over 2.0µm Ni (MATING AREA).
4. MEASURED AT THE BOTTOM.
5. ALLOWED PCB THICKNESS: MIN. 1.8 MM
6. THE PRODUCT (LF) MEETS EUROPEAN UNION DIRECTIVES AND OTHER COUNTRY REGULATIONS AS DESCRIBED IN GS-22-008

1DEC ±0,2 2DEC ±0,1 ANGLES ±1°	APPR.	DATE	SIGN.	LOADING PATTERN / TYPE L / PRE-ASS. CONN.
	DRAFT	2009-05-30	GT	CAT. No. HM2P10PGL3W0 --
	CHECKED	2009-05-30	AB	
WE RESERVE THE RIGHT TO CHANGE DIMENSIONS OR REQUIREMENTS WITHOUT PRIOR NOTICE.	PROD. MGR.			FCI www.fciconnect.com
	PR.ENG.MGR.			
ALL DIMENSIONS IN MM	PR.MGT.MGR.			SCALE

REFERENCES

