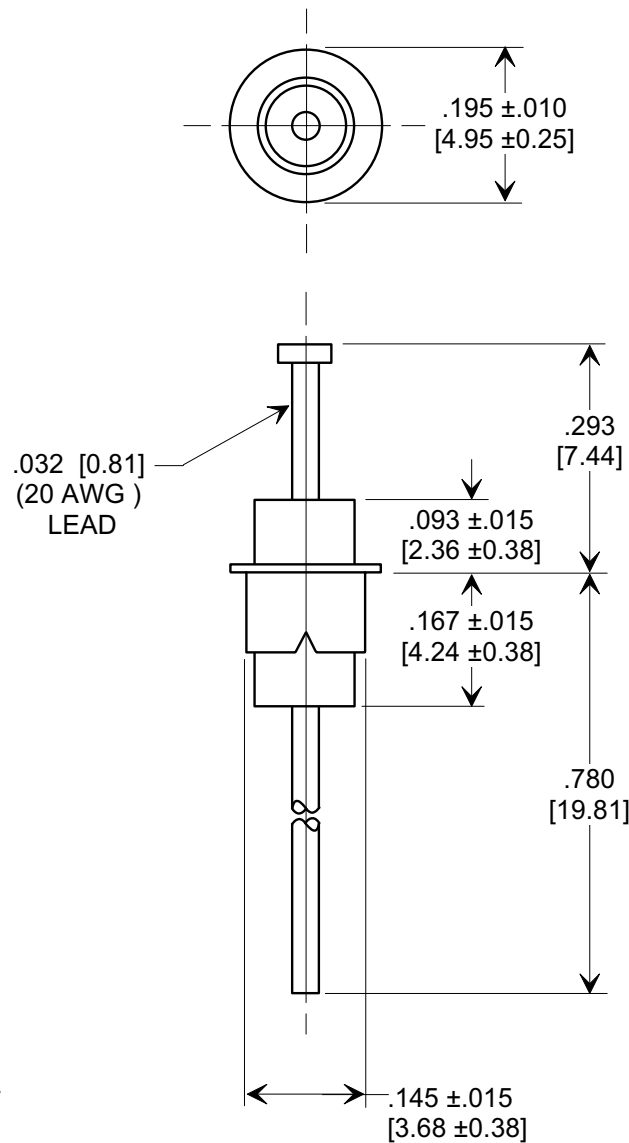
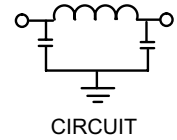
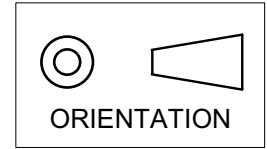


MARKETING SALES DRAWING
DIMENSIONS IN INCHES - DO NOT SCALE THIS DRAWING
DIMENSIONS IN METRIC - []

Electrical Testing
per Tusonix standard
test plans and Mil-Std-202
Test Methods.



- NOTES:
1. TUSONIX STANDARD PART NUMBER: 4101-002.
TUSONIX RoHS COMPLIANT PART NUMBER: 4101-002 LF.
CUSTOMER MUST SPECIFY STANDARD OR RoHS PART NUMBER WHEN ORDERING.
2. RoHS COMPLIANT PART MARKED WITH GREEN DOT FOR IDENTIFICATION.

MIN. CAP. (pF)	WORKING VOLTAGE (WVdc)		CURRENT Idc.	I.R. MIN. @ 100 (VDC.)	DWV (VDC)	MINIMUM NO LOAD INSERTION LOSS (dB) AT 25°C PER MIL-STD-220			
	85°C	125°C				10MHz	100MHz	1GHz	10GHz
1750	250	125	10A	10 G Ω	500	5	50	60	60

X-2015 Rev-0	REVISION RECORD		EYELET STYLE EMI FILTER	Title		
	0	Original Release C.O.		--TOLERANCES-- Unless Otherwise Specified		
	1	DRAWING REVISED				
	2	LE 12-9-83 WAS SK6644-070-S LE 1-13-84		DECIMAL ± .031 [0.79]	Drawn E.C. 02-26-97	Scale 4 X
	3	DIMS. AND TOL. REVSD., DWG. RELEASED LE 1-8-85		ANGLES ±	Approved T.C. 2-26-97	
	4	C.O. 1653 CURRENT UNIT "A" ADDED L.E. 8-20-85		TUSONIX TUCSON, ARIZONA	A 4101-002	
	5	C.O. 2595 RDRWN TO COMP. FRMT., RMVD WSHRS, CHGD DIMS. .093 WS .113, .167 WS .177 EC 2-26-97				
	6	970224-6 ADDED RED EPOXY COATING. S.M. 07-15-98				
7	19980715-6-01 ADDED METRIC, NOTES, CIRCUIT I.R. & DWV. S.M. 03-01-05					
8	20050223-5-04 NOTE 1 REV'D (2) SPACES ADDED BETWEEN 4:101-0002 AND LF L.E. 03-14-05					
	20050314-1-01					