

8

7

6

5

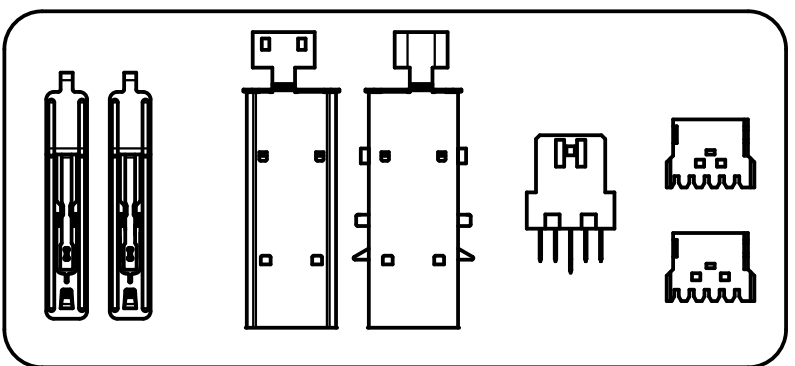
4

3

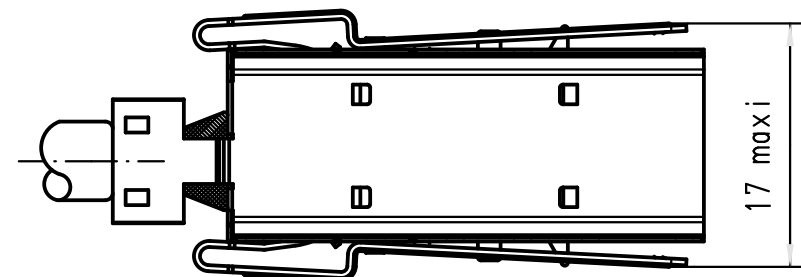
2

1

PACKAGING PIECE PARTS

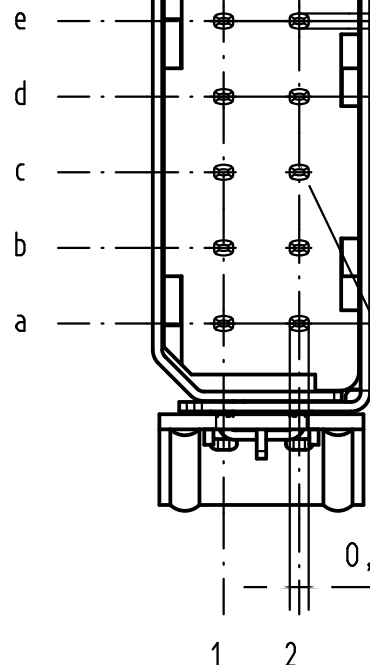


AFTER LATCHES OPENING



5,25^{+0,05}₀

2



0,4^{-0,04}

4x2 = (8)

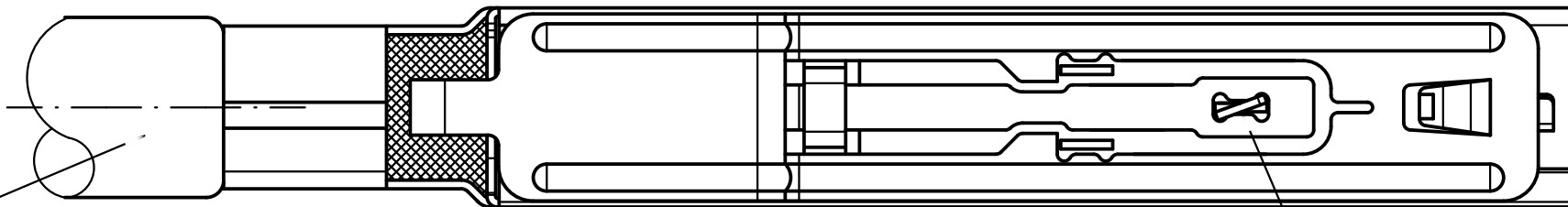
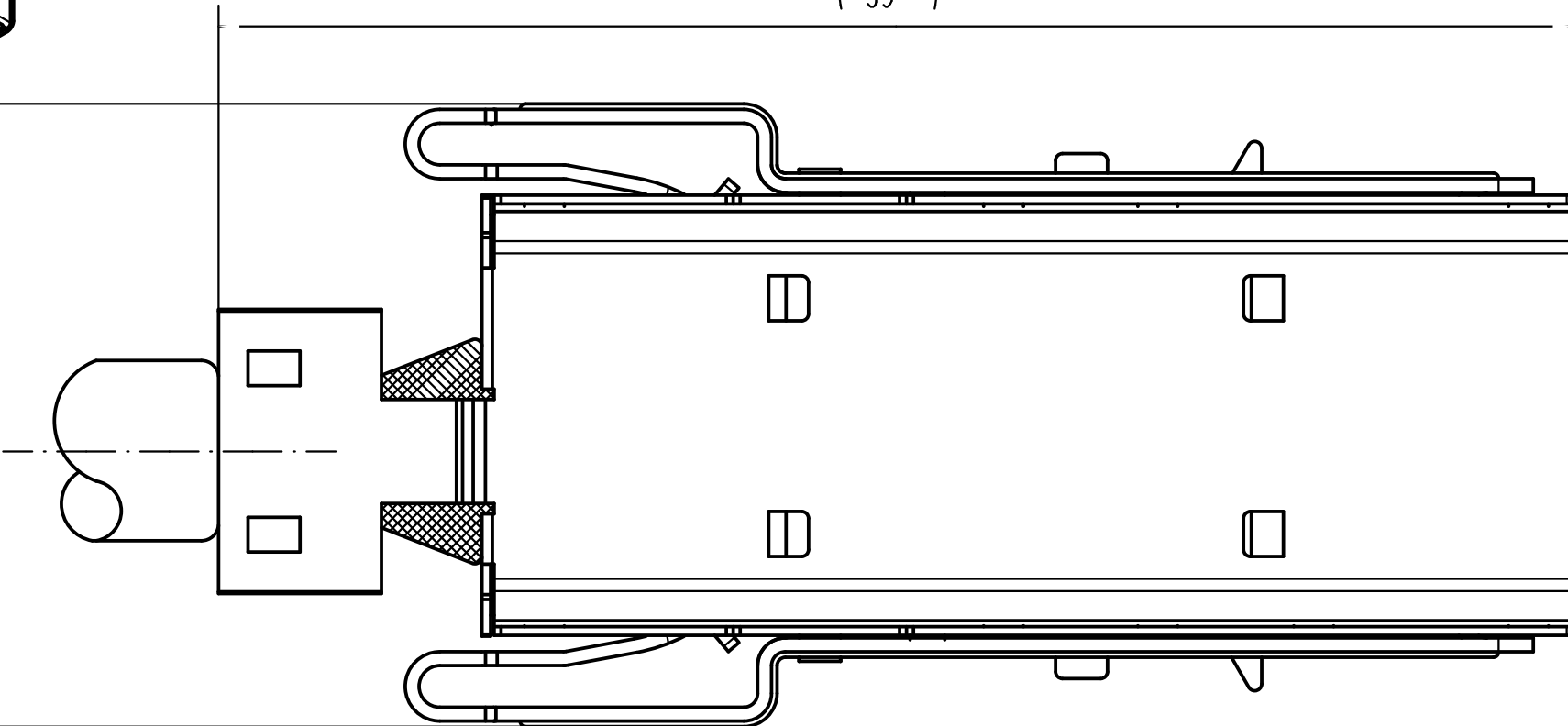
11,55^{+0,15}₀

(18)

0,5^{-0,1}

first mate-last break pin(2c)

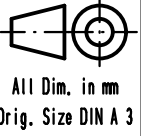
1 2



recommended cable
 outer insulation diameter 5.33+/-0.25mm
 wire insulation diameter
 0.50 to 0.65mm for 1c and 2c contacts
 0.65 to 0.80mm for others
 wire conductor AWG28/7-AWG30/7-AWG30/1

twisting (from 20° to 45°) of front stop
 over central blade is recommended.

Alle Rechte vorbehalten/ All rights reserved

Mod.	Det.	Name	Det.	Name	 All Dim. in mm Orig. Size DIN A 3	har.link® cable free male IDC connector with two locking levers	DS-Link TB 27 11 161 8001 Sub. TB 27 11 161 8001.02	Moßstab/ Scale
			Detail.	05-JAN-01				JB
EC01859	07-MAY-10	JB	Insp.					
33256	08-NOV-05	JB	Stand.					
27968	16-JAN-01	JB						
27966	05-JAN-01	JB						
			HARTING EURL F-95972 Paris					
							Blatt/ Page 1/1	