



RADSOK® SMT RADSERT™

Amphenol's RADSOK® enabled SMT RADSERT™ provides a versatile interconnect for high current/high power board to board mezzanine applications. The SMT RADSERT™ is ideal for bringing power to the board from mezzanine cards or busbars suspended above the board. Custom board stack heights are easily accommodated.

RADSERT™ interconnects are low profile, single point, high current contacts that can be applied to a PCB or busbar. Also available with "Super Twist" technology for enhanced lead in and radial mis-alignment tolerance to accommodate multiple mating positions or blind mate applications. RADSERT™ termination options include SMT, knurl "Press-fit" or wave solder with a current carrying capability up to 200A.

Features:

- The SMT RADSERT™ is preferred for PCB applications for efficient current transmission and ease of application
- High power to board interconnect in a small package
- Perfect for mezzanine applications
- RADSOK® R4 hyperbolic socket design ensures many points of contact
- The SMT RADSERT™ is compatible with standard surface mount board fabrication processes
- RADSERT™ 2.4mm (35A), 3.0mm (60A), 3.6mm (70A), 5.7mm (120A) & 8.0mm (200A)
- No special crimp tools required
- No threaded fasteners
- Faster through-put
- RoHS compliant



The **SMT RADSSERT™** is a versatile, low profile, single point, high current contact that can be applied to a PCB or busbar

“Super Twist” (ST) SMT RADSSERT™ with enhanced lead in and mis-alignment tolerance is available to handle multiple power entry locations and blind mate applications.

Custom sizes are easily configured for specific applications.

SMT RADSSERT™

Super Twist	Thru board SMT RADSOK®	Above board SMT RADSOK®
2.4mm	10-737490-001	10-737495-001
3.0mm	10-737491-001	10-737496-001
3.6mm	10-737492-001	10-737497-001
5.7mm	10-737493-001	10-737498-001
8.0mm	10-737494-001	10-737499-001



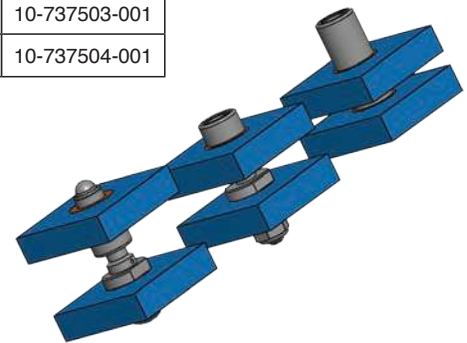
Bus Bar Knurled RADSSERT™

*Not for PCB use

Super Twist	
2.4mm	10-737500-001
3.0mm	10-737501-001
3.6mm	10-737502-001
5.7mm	10-737503-001
8.0mm	10-737504-001



Changing the collar height easily adjusts to a different PCB Distance



SMT RADSSERT™ mating pin options

Custom sizes are easily configured for specific applications.

Male Pins

Super Twist	Female thread	Male thread	Knurl Press fit	Crimp Pin	Solder Pin
2.4mm	10-737395-095	10-737401-095	10-737407-095	10-737413-095	10-737582-095
3.0mm	10-737396-138	10-737402-138	10-737408-138	10-737414-138	10-737583-138
3.6mm	10-737397-153	10-737403-153	10-737409-153	10-737415-153	10-737584-153
5.7mm	10-737398-178	10-737404-178	10-737410-178	10-737416-178	10-737585-178
6.0mm	10-737399-243	10-737405-243	10-737411-243	10-737417-243	10-737586-243
8.0mm	10-737400-245	10-737406-245	10-737412-245	10-737418-245	10-737587-245

XXX Last 3 digits denotes the length of the pin diameter that mates with the RADSOK
 Example -205 is a 20.5mm long pin
 *Custom thread lengths are available upon request

RADSOK® Crimp Receptacle Contacts

Non Super Twist	Crimp RADSOK®	Wire AWG	mm ²
2.4mm	10-737419-001	12	2.5
3.0mm	10-737420-001	10	6
3.6mm	10-737421-001	8	10
5.7mm	10-737422-001	4	25
6.0mm	10-737423-001	4	35
8.0mm	10-737424-001	1/0	50

*Other configurations are available upon request

Notice: Specifications are subject to change without notice. Contact your nearest Amphenol Corporation Sales Office for the latest specifications. All statements, information and data given herein are believed to be accurate and reliable but are presented without guarantee, warranty, or responsibility of any kind, expressed or implied. Statements of suggestions concerning possible use of our products are made without representation or warranty that any such use is free of patent infringement and are not recommendations to infringe any patent. The user should assume that all safety measures are indicated or that other measures may not be required. Specifications are typical and may not apply to all connectors.

For further information on your individual application requirements, contact: Amphenol Corporation

North America:
 Amphenol Industrial Operations
 180 N. Freeport Drive, Plant 4
 Nogales, AZ 85621
 Tel: (888) 364-9011
 Fax: (520) 285-5134

Europe:
 Amphenol Industrial Operations Europe
 Via Barbaiana 5
 1-20020 Lainate (MI) Italy
 Tel: +39 02 93254.204
 Fax: +39 02 93254.444

Middle East:
 Amphenol Middle East Enterprises FZE
 Office C-37 PO Box 21107
 Ajman Free Zone, UAE
 Tel: +9 716-7422494
 Fax: +9 716-7422941

Asia:
 Amphenol Technology (Zhuhai) Co., Ltd.
 No. 63 Xin Han Road, San Zao Town
 Jin Wan District, Zhuhai City, China 519040
 Tel: +86 756-3989760
 Fax: +86 756-3989768

Email: tech@amphenol-aio.com

Email: info@amphenol-aio.com

Email: jhussain@amphenol-industrial.com

Email: enquiry@amphenol-aio.com