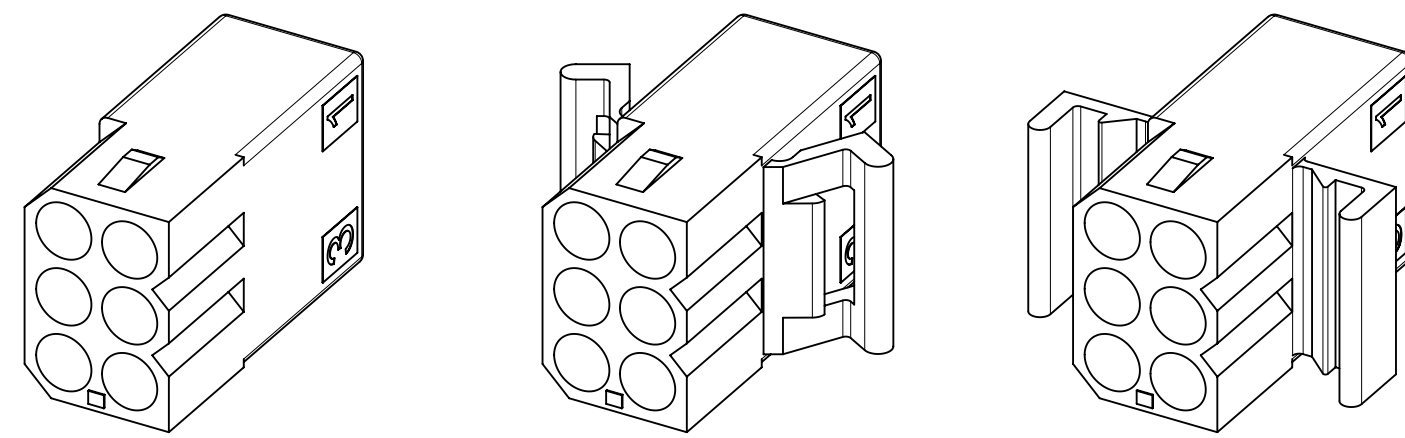
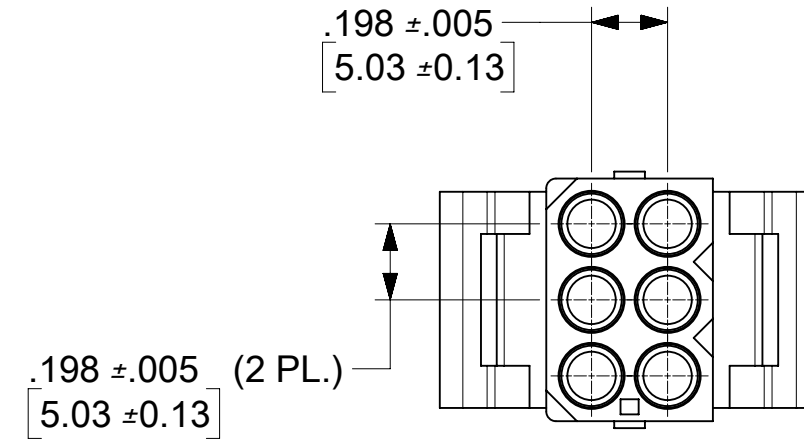
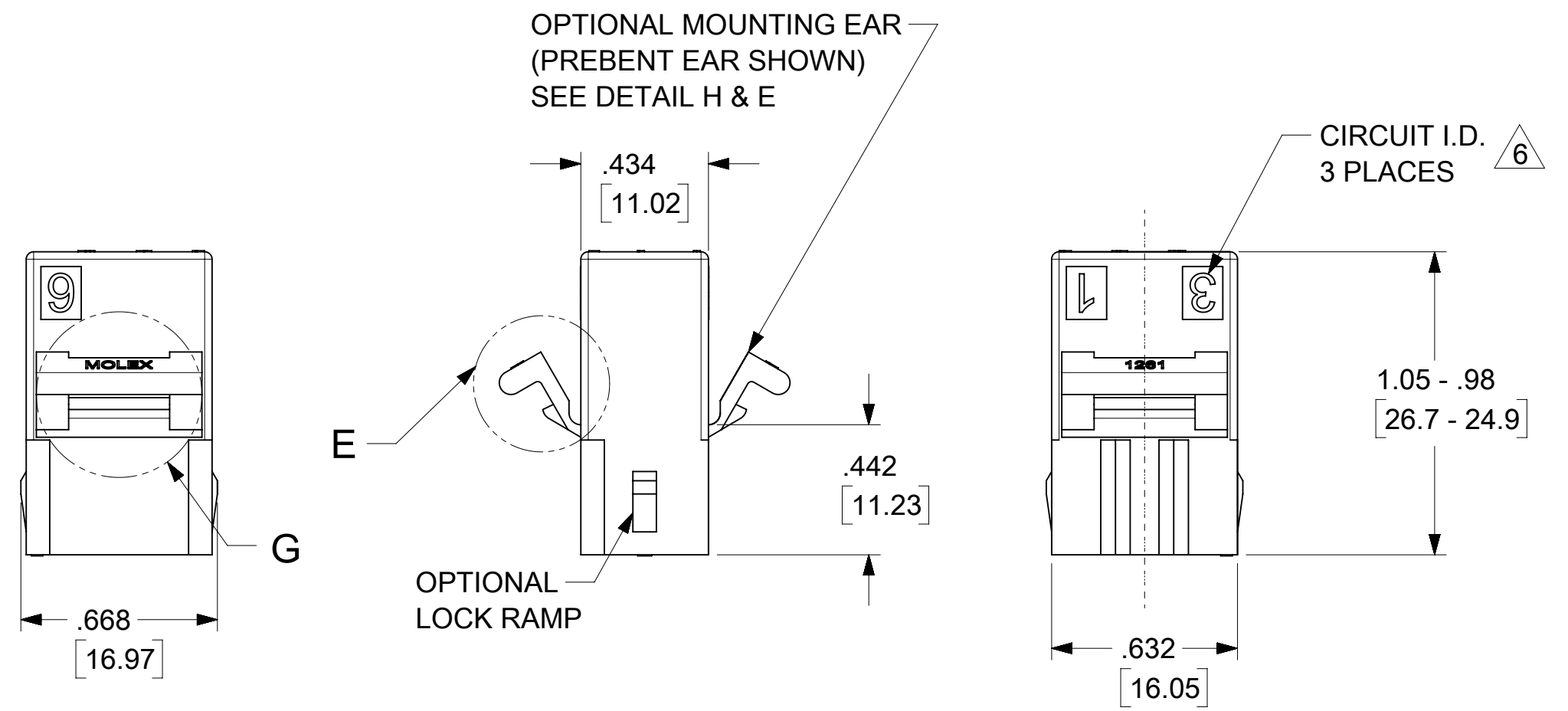
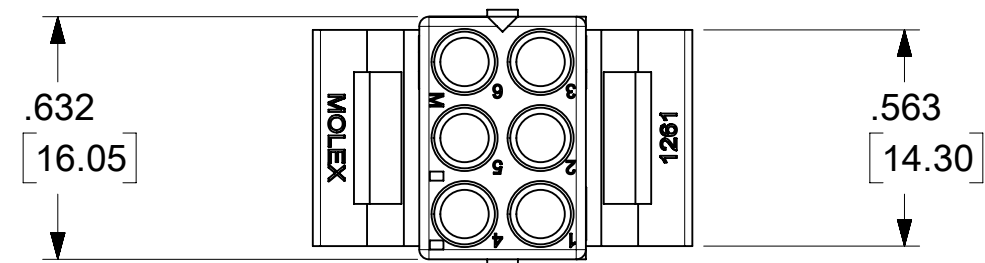


PLUG

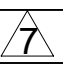


PREBENT MOUNTING EARS

STANDARD MOUNTING EARS

RECEPTACLE

QUALITY SYMBOLS		THIS DRAWING CONTAINS INFORMATION THAT IS PROPRIETARY TO MOLEX ELECTRONIC TECHNOLOGIES, LLC AND SHOULD NOT BE USED WITHOUT WRITTEN PERMISSION						
UPDATE VIEWS EC NO: 114311 DRWN: MKIPPER CHKD: JDFOX REV APPR: FSMITH	▽ = 0	GENERAL TOLERANCES (UNLESS SPECIFIED)		DIMENSION UNITS	SCALE	.093/2.36 PLUG AND RECEPTACLE HOUSING PRODUCT CUSTOMER DRAWING SERIES: 1261 MATERIAL NUMBER: SEE CHART CUSTOMER: GENERAL MARKET DOCUMENT NUMBER: 12610000-SD DOC TYPE: PSD DOC PART: 000 SHEET NUMBER: 1 OF 2		
	▽ = 0			IN/MM	2:1			
	▽ = 0			DRWN BY	DATE			
	▽ = 0			CHK'D BY	DATE			
	▽ = 0			APPR BY	DATE			
▽ = 0			ANGULAR TOL =	DRAWING SIZE	THIRD ANGLE PROJECTION			
▽ = 0			DRAFT WHERE APPLICABLE MUST REMAIN WITHIN DIMENSIONS		C			

PLUG	
PART NO.	ENG. NO.
03-09-2061	1261-P 
03-09-2062	1261-P1

RECEPTACLE	
PART NO.	ENG. NO.
03-09-1061	1261-R
03-09-1062	1261-R1
03-09-1063	1261-R2
03-09-1064	1261-R3
46999-0809	1261-R4
46999-0810	1261-R5

LEGEND: PLUG

1261 - P * * * - * * *

P = PLUG

BLANK = PLUG WITH PREBENT MOUNTING EARS
1 = PLUG WITHOUT MOUNTING EARS

COLOR: BLANK = NATURAL COLOR
AM= AMBER BK= BLACK BU= BLUE
BN= BROWN GY= GRAY GN= GREEN
OR= ORANGE RD= RED YW= YELLOW

MATERIAL: BLANK = NYLON 6/6, UL94V-2

LEGEND: RECEPTACLE

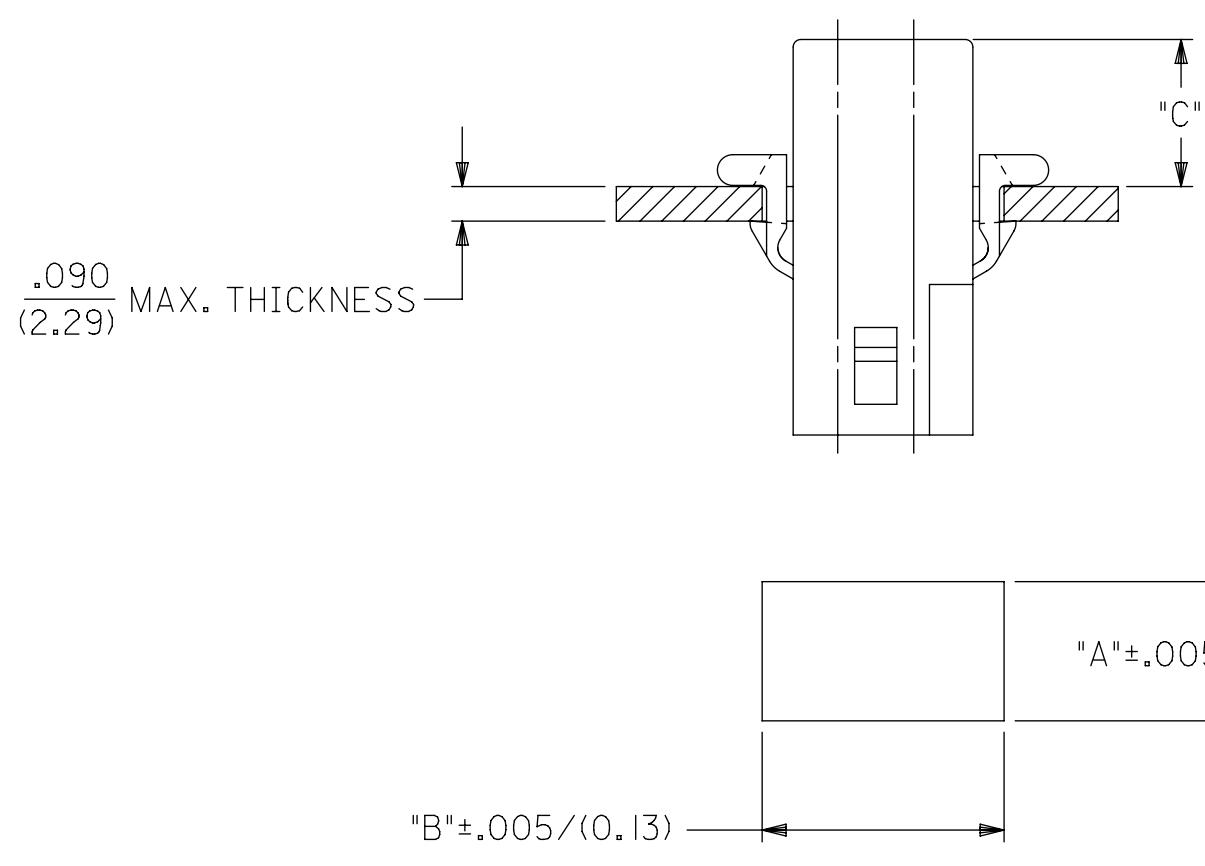
1261 - R * * * - * * *

R = RECEPTACLE

BLANK = WITH STD. MOUNTING EARS, WITH LOCK RAMP
1 = WITH STD. MOUNTING EARS, WITHOUT LOCK RAMP
2 = WITHOUT MOUNTING EARS, WITHOUT LOCK RAMP
3 = WITHOUT MOUNTING EARS, WITH LOCK RAMP
4 = WITH PREBENT MOUNTING EARS, WITH LOCK RAMP
5 = WITH PREBENT MOUNTING EARS, WITHOUT LOCK RAMP



COLOR: BLANK = NATURAL COLOR
AM= AMBER BK= BLACK BU= BLUE
BN= BROWN GY= GRAY GN= GREEN
OR= ORANGE RD= RED YW= YELLOW

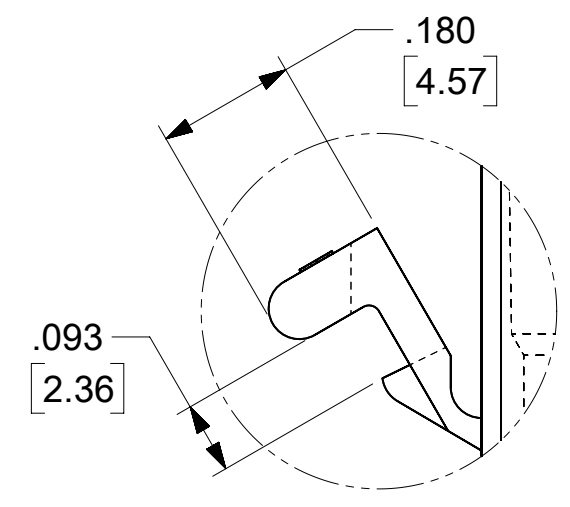
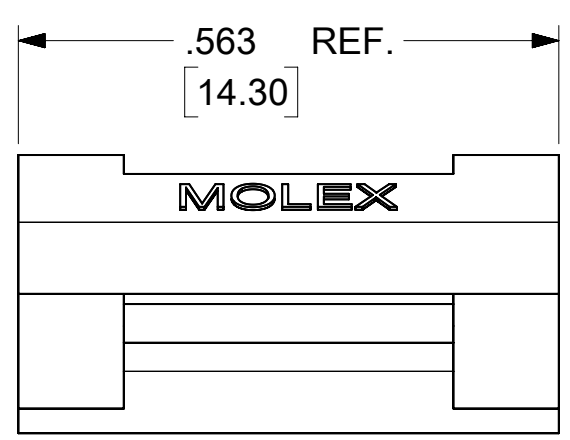
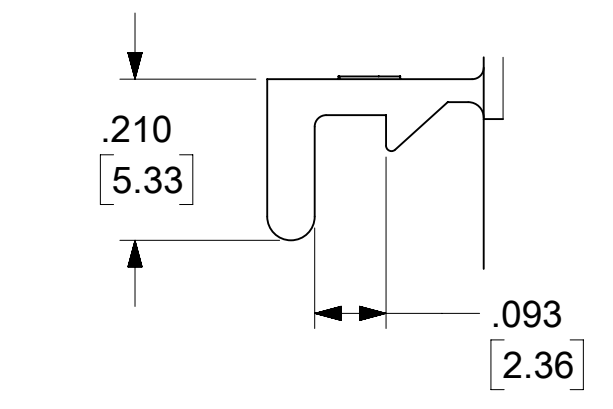
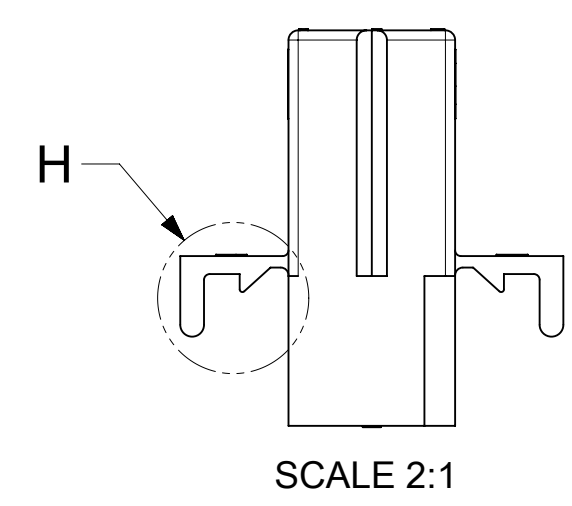
MATERIAL: BLANK = NYLON 6/6, UL94V-2



MOUNTING HOLE CUTOUT


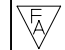




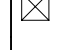

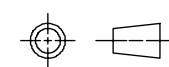
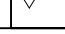
HOUSING	DIM. "A"	DIM. "B"	DIM. "C" (STD. EAR)	DIM. C (PREBENT)
PLUG	.750/(19.05)	.695/(17.65)	.39/(9.9)	.40/(10.1)
RECEPTACLE	.718/(18.24)	.600/(15.24)	.40/(10.1)	.41/(10.3)

- NOTES:
- MATERIAL: SEE LEGEND
 - FINISH: NONE
 - PRODUCT SPECIFICATION: PS-43660-9999
 - PACKAGING INFORMATION: PK-1261-001
 - HOUSINGS FOR USE WITH MOLEX .093/(2.36) PIN AND SOCKET TERMINALS.
 -  CIRCUIT I.D. NUMBERS ON SIDE OF HOUSING APPEAR ON PARTS FROM TOOLS BUILT AFTER 9/3/91.
 -  WHERE DENOTED IN CHART, TOOLS ARE BUILT WITH PREBENT MOUNTING EARS PER DETAIL E AND SUPERSEDE ALL TOOLS PREVIOUSLY BUILT WITH THE STANDARD MOUNTING EARS.
 - TEXT AND CIRCUIT IDENTIFIERS ARE SHOWN IN APPROXIMATE LOCATION BUT MAY VARY TO ACCOMODATE TOOLING.
 - THIS PART CONFORMS TO CLASS B REQUIREMENTS OF COSMETIC SPECIFICATION PS-45499-002.
 - THIS DRAWING REPLACES SD-1261-*



DETAIL G
SCALE 5:1

DETAIL E
SCALE 4:1
.093/(2.36) PREBENT MOUNTING EAR

QUALITY SYMBOLS		THIS DRAWING CONTAINS INFORMATION THAT IS PROPRIETARY TO MOLEX ELECTRONIC TECHNOLOGIES, LLC AND SHOULD NOT BE USED WITHOUT WRITTEN PERMISSION				DIMENSION UNITS		SCALE				
UPDATE VIEWS		GENERAL TOLERANCES (UNLESS SPECIFIED)		IN/MM		1:1		.093/2.36 PLUG AND RECEPTACLE HOUSING				
 = 0	2017/03/09	MM INCH		DRWN BY		DATE					PRODUCT CUSTOMER DRAWING	
 = 0	2017/04/06	4 PLACES ± ±		BAPPELDORN		2017/01/11		SERIES MATERIAL NUMBER CUSTOMER				
 = 0	2017/04/07	3 PLACES ± ± 0.007		CHK'D BY		DATE					1261 SEE CHART GENERAL MARKET	
 = 0		2 PLACES ± 0.18 ± 0.01		MKIPPER		2017/01/11		DOCUMENT NUMBER DOC TYPE DOC PART SHEET NUMBER				
 = 0		1 PLACES ± 0.25 ±		APPR BY		DATE					12610000-SD PSD 000 2 OF 2	
 = 0		0 PLACES ± ±		FSMITH		2017/01/18		DRAWING SIZE THIRD ANGLE PROJECTION				
 = 0		ANGULAR TOL ±		C								
 = 0		DRAFT WHERE APPLICABLE MUST REMAIN WITHIN DIMENSIONS										