

TC EXTENDER PT-IQ-2S - Surge protection plug



2702258

<https://www.phoenixcontact.com/us/products/2702258>

Please be informed that the data shown in this PDF document is generated from our online catalog. Please find the complete data in the user documentation. Our general terms of use for downloads are valid.



Replaceable surge protection module, only for Ethernet extender TC EXTENDER 6004 ETH-2S (2702255), 2 SHDSL ports, two-wire protection for floating SHDSL cables, two-level protective circuit

Commercial data

Item number	2702258
Packing unit	1 pc
Minimum order quantity	1 pc
Sales key	DN24
Product key	DNC442
Catalog page	Page 349 (C-6-2019)
GTIN	4055626057705
Weight per piece (including packing)	106 g
Weight per piece (excluding packing)	48.68 g
Customs tariff number	85363090
Country of origin	DE

TC EXTENDER PT-IQ-2S - Surge protection plug



2702258

<https://www.phoenixcontact.com/us/products/2702258>

Technical data

Product properties

IEC test classification	B1
	C1
	C2
	C3
	D1
Type	Male
Product type	Replacement plug
Wire pairs per module	2

Insulation characteristics

Overvoltage category	II
Pollution degree	2

Electrical properties

Nominal voltage U_N	24 V DC
-----------------------	---------

Connection data

Connection method	pluggable
-------------------	-----------

Dimensions

Width	22 mm
Height	96 mm
Depth	80 mm

Protective circuit

Direction of action	Line-Line & Line-Earth Ground
Nominal discharge current I_n (8/20) μ s (line-line)	1 kA (C1, 300 pulses)
Nominal discharge current I_n (8/20) μ s (line-ground)	1 kA
Pulse discharge current I_{imp} (10/350) μ s (line-earth)	500 A (D1)
Total discharge current I_{total} (8/20) μ s	9 kA
Nominal pulse current I_{an} (10/1000) μ s (line-line)	100 A (B1)
Nominal pulse current I_{an} (10/1000) μ s (line-earth)	100 A

Environmental and real-life conditions

Ambient conditions

Degree of protection	IP20
----------------------	------

Approvals

Conformity/Approvals

Noxious gas test	ISA-S71.04-1985 G3 Harsh Group A
------------------	----------------------------------

TC EXTENDER PT-IQ-2S - Surge protection plug



2702258

<https://www.phoenixcontact.com/us/products/2702258>

Standards and regulations

Standards/specifications	IEC 61643-21
Standards/specifications	IEC 60664-1

Mounting

Mounting type	Pluggable (slot)
---------------	------------------

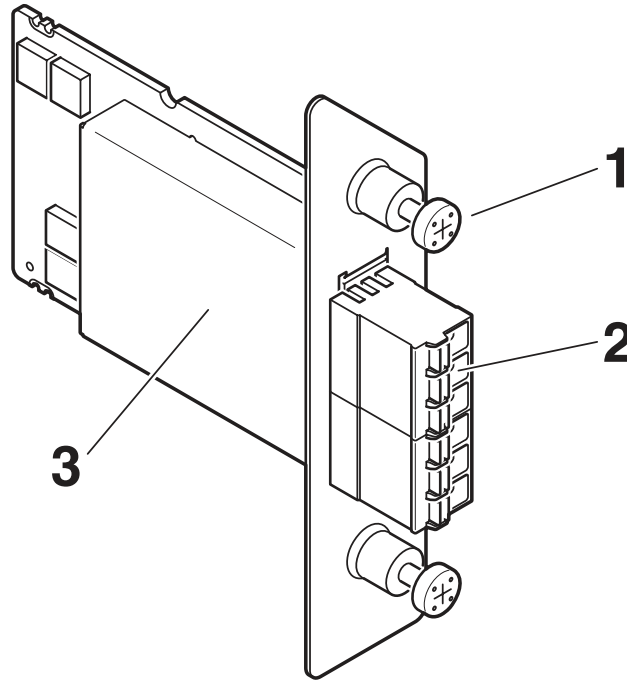
TC EXTENDER PT-IQ-2S - Surge protection plug

2702258

<https://www.phoenixcontact.com/us/products/2702258>

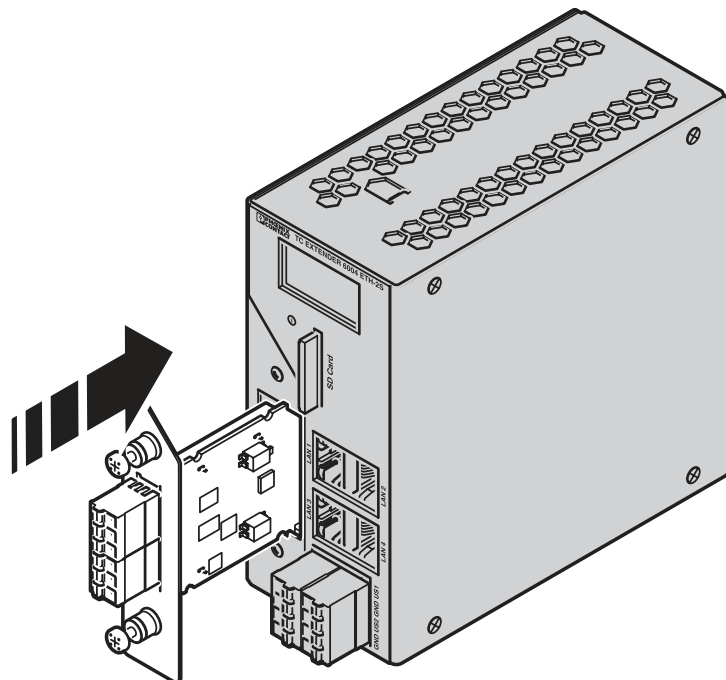
Drawings

Schematic diagram



Function elements

Schematic diagram



Replacement of protection module

TC EXTENDER PT-IQ-2S - Surge protection plug



2702258

<https://www.phoenixcontact.com/us/products/2702258>

Classifications

ECLASS

ECLASS-11.0	27130807
ECLASS-13.0	27171592

ETIM

ETIM 8.0	EC000943
----------	----------

UNSPSC

UNSPSC 21.0	39121600
-------------	----------

TC EXTENDER PT-IQ-2S - Surge protection plug



2702258

<https://www.phoenixcontact.com/us/products/2702258>

Environmental product compliance

China RoHS	Environmentally Friendly Use Period = 50 years For information on hazardous substances, refer to the manufacturer's declaration available under "Downloads"
------------	--

TC EXTENDER PT-IQ-2S - Surge protection plug



2702258

<https://www.phoenixcontact.com/us/products/2702258>

Mandatory accessories

TC EXTENDER 6004 ETH-2S - Ethernet extenders

2702255

<https://www.phoenixcontact.com/us/products/2702255>



Managed Ethernet extender, point-to-point, line and ring structures, data rates up to 30 Mbps, distances of up to 20 km on in-house copper cables, replaceable surge protection, 2 SHDSL ports, 4-port switch, diagnostics via display and Ethernet

Phoenix Contact 2023 © - all rights reserved
<https://www.phoenixcontact.com>

Phoenix Contact USA
586 Fulling Mill Road
Middletown, PA 17057, United States
(+717) 944-1300
info@phoenixcon.com