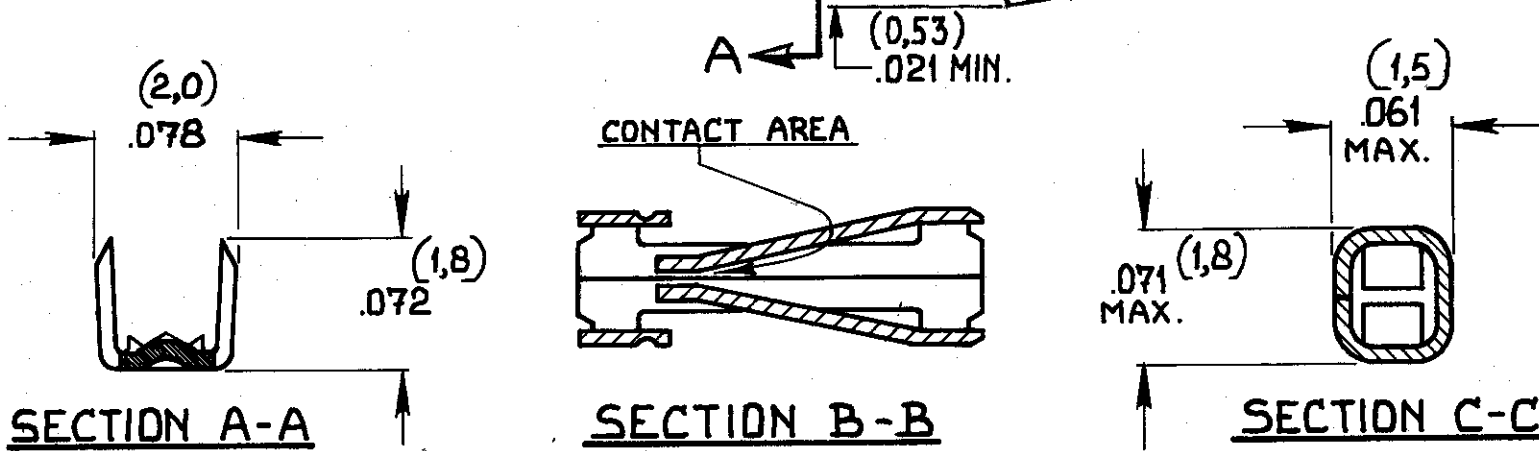
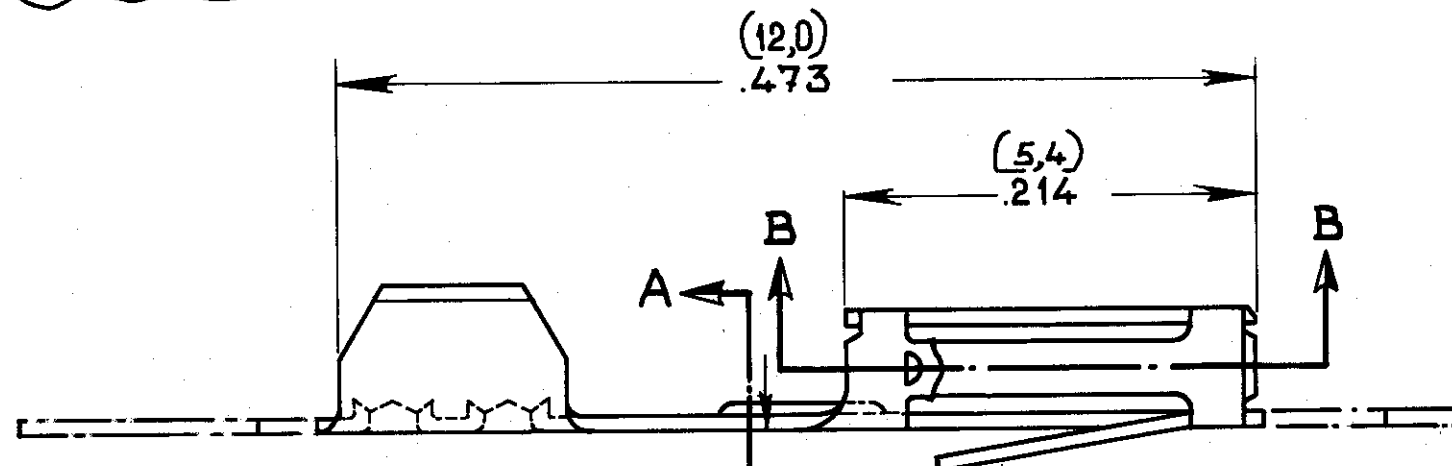
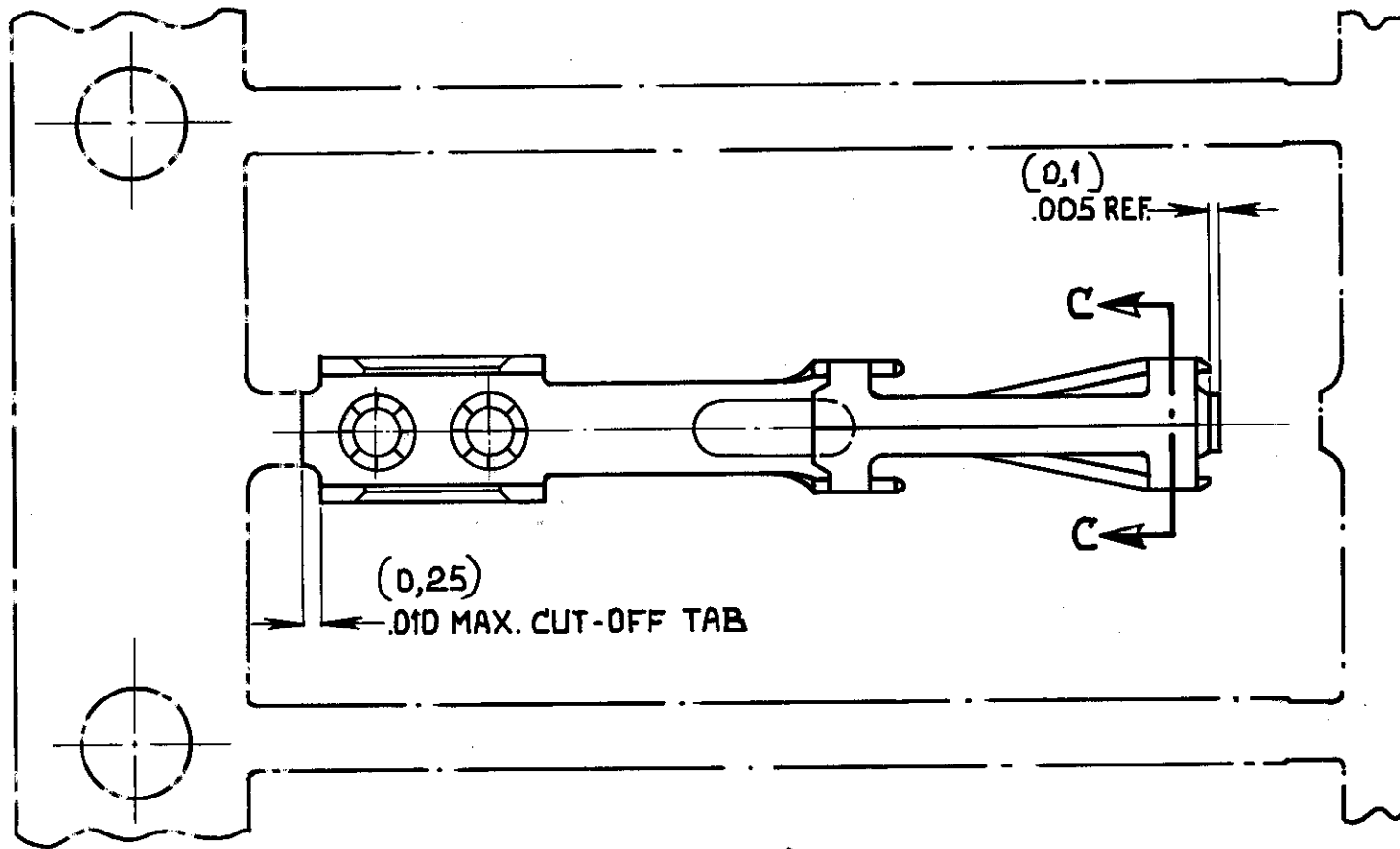


P	LTR	DESCRIPTION	DATE	DWN	APVD
F1		ECR-08-015304	30-12-08	AEG	WRV

NOTES:

1. CONTACT IS DESIGNED FOR FLEXIBLE ETCHED CIRCUITS ACC. TO VDD-SPEC. MV-4511.
2. THIS PARTNR. TO BE ORDERED WHEN THE GERMAN X-Y APPLICATION MACHINE IS USED. (OR USA 455942 SERIES APPLICATOR)
3. THIS PARTNR. TO BE ORDERED WHEN THE GERMAN HAND OPERATED TODDLING IS USED. (OR USA 693790 SERIES APPLICATOR)
4. THIS PARTNR. IS FOR SPECIAL CUSTOMER DESIGNED TODDLING.
5. BUTT-WELD SPliced CONTACT STRIP. TO BE ORDERED WHEN OTHER THAN AMP APPLICATION MACHINES ARE USED.



OBSOLETE

5	166395-4	PHOSPHORBRONZE	PRETINNED
4	166395-3	PHOSPHORBRONZE	PRETINNED
3	166395-2	PHOSPHORBRONZE	PRETINNED
2	166395-1	PHOSPHORBRONZE	PRE-TINNED
	ORDER NO.	MATERIAL	PLATING

**CUSTOMER COPY FOR REFERENCE ONLY**

DR W.R.VERBEET.	DATE 31-1'80	©1980 BY AMP-HOLLAND N.V. ALL RIGHTS RESERVED A-MP PRODUCTS COVERED BY PATENTS AND/OR PATENTS PENDING.		 AMP - HOLLAND N.V. 's-Hertogenbosch	
CHK R. Versteijn	DATE 26-2-80	WIRE-RANGE SEE NDT 1	INSUL.-RANGE SEE NDT 1		FIRST USED #
DE	DATE	SCALE #	SIZE B	NO C-166395	REV F2
APP	DATE 27.2.80	NAME MODU-FEC RECEPTACLE CONTACT.			

DIMENSIONS IN (M.M.) DO NOT SCALE PRINT