

MATERIAL AND FINISHES:

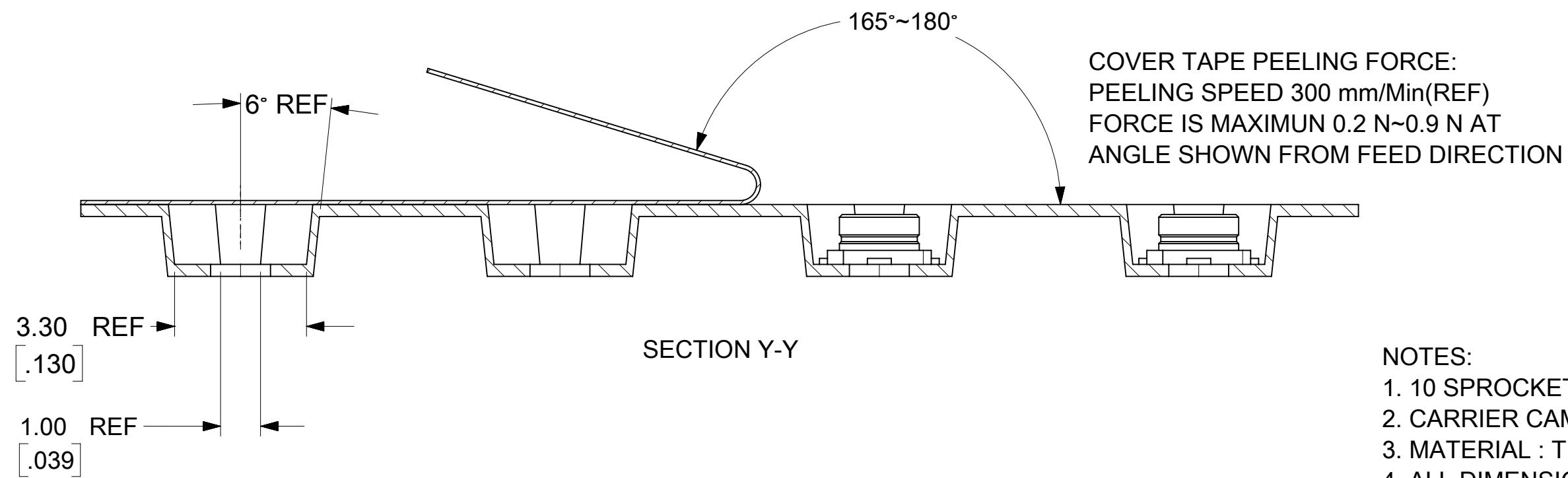
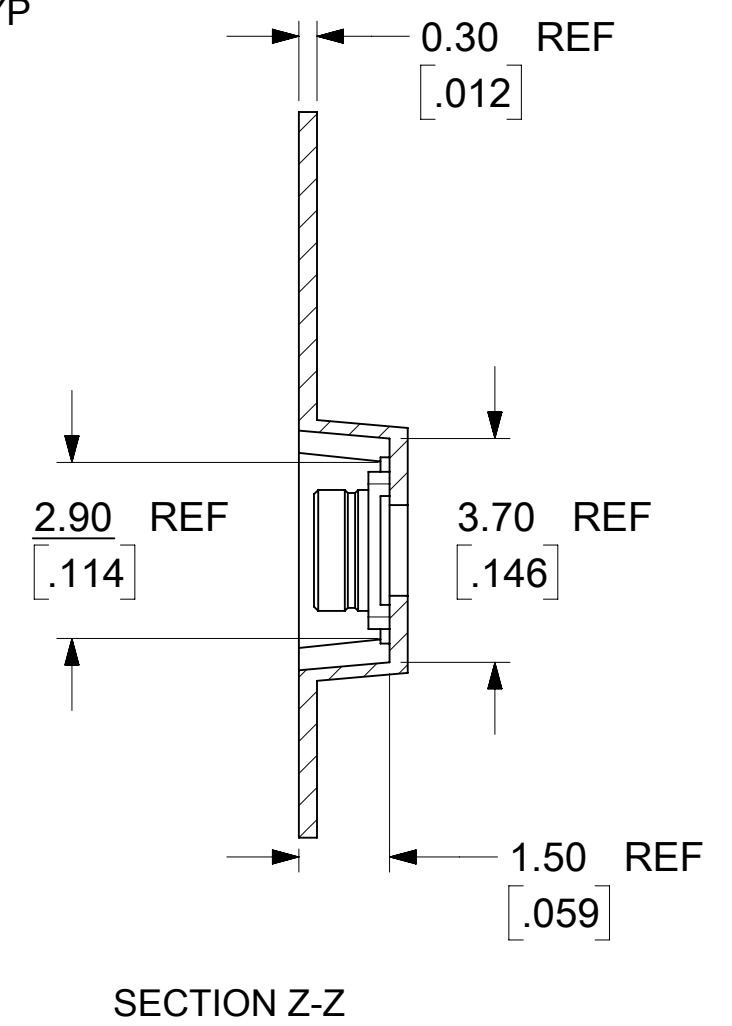
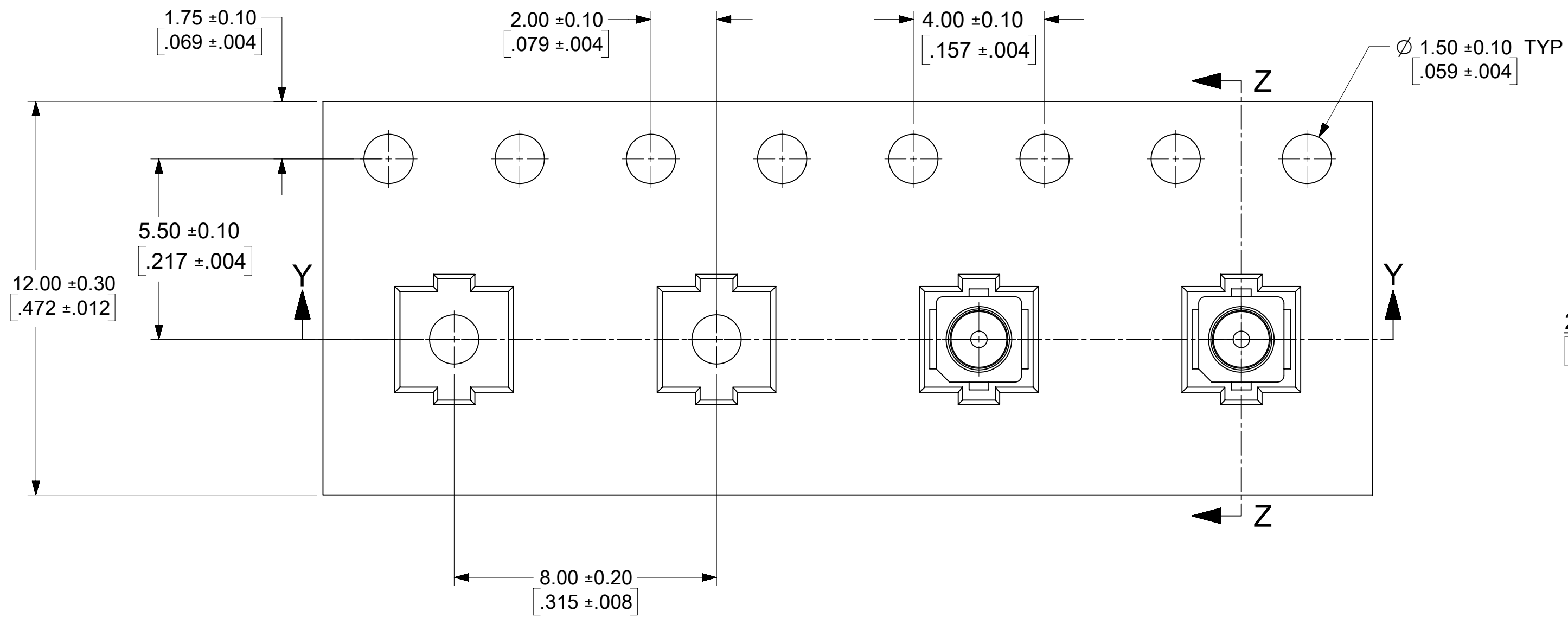
BASE: LCP E6808 UHF
 CONTACT: BRASS
 C2680 (t=0.15)
 PLATED: GOLD (0.03 MICROMETER MINIMUM) OVER
 NICKEL (1-4 MICROMETER)
 OUTER CONTACT: PHOSPHOR BRONZE
 C5191 (t=0.15)
 PLATED: GOLD (0.03 MICROMETER MINIMUM) OVER
 NICKEL (1-4 MICROMETER)

WILL WITHSTAND REFLOW
 TEMPERATURE OF
 260 DEG C 40 SEC MAXIMUM
 VSWR
 DC-6GHz: 1.30 MAX

73412-0116	BAG (500 SETS)
73412-0114	TAPE AND REEL (1K/REEL)
73412-0110	TAPE AND REEL (5K/REEL)
PART NO.	PACKAGING

FUNCTIONAL SYMBOLS		THIS DRAWING CONTAINS INFORMATION THAT IS PROPRIETARY TO MOLEX ELECTRONIC TECHNOLOGIES, LLC AND SHOULD NOT BE USED WITHOUT WRITTEN PERMISSION	
FA = 0	DIMENSION UNITS	SCALE	CURRENT REV DESC: UPDATED FOR NEW MOLD RER EWR14916-A & PCN511407
EA = 0	MM/INCH	NTS	
EP = 0	GENERAL TOLERANCES (UNLESS SPECIFIED)		
DIVISIONAL SYMBOLS		ANGULAR TOL ± 2.0°	EC NO: 714253
4 PLACES ±			DRWN: CWEI02 2021/12/16
3 PLACES ±			CHK'D: YCHENG 2022/07/20
2 PLACES ± 0.25			APPR: YCHENG 2022/07/20
1 PLACE ± 0.13			INITIAL REVISION:
0 PLACES ±			DRWN: YCHENG 2005/03/15
			APPR: MHUANG 2005/03/21
DRAFT WHERE APPLICABLE MUST REMAIN WITHIN DIMENSIONS		THIRD ANGLE PROJECTION	DRAWING SERIES
		C-SIZE	73412
DOCUMENT NUMBER		DOC TYPE	DOC PART
SD-73412-011		PSD	001
MATERIAL NUMBER		CUSTOMER	SHEET NUMBER
SEE TABLE		GENERAL MARKET	1 OF 4

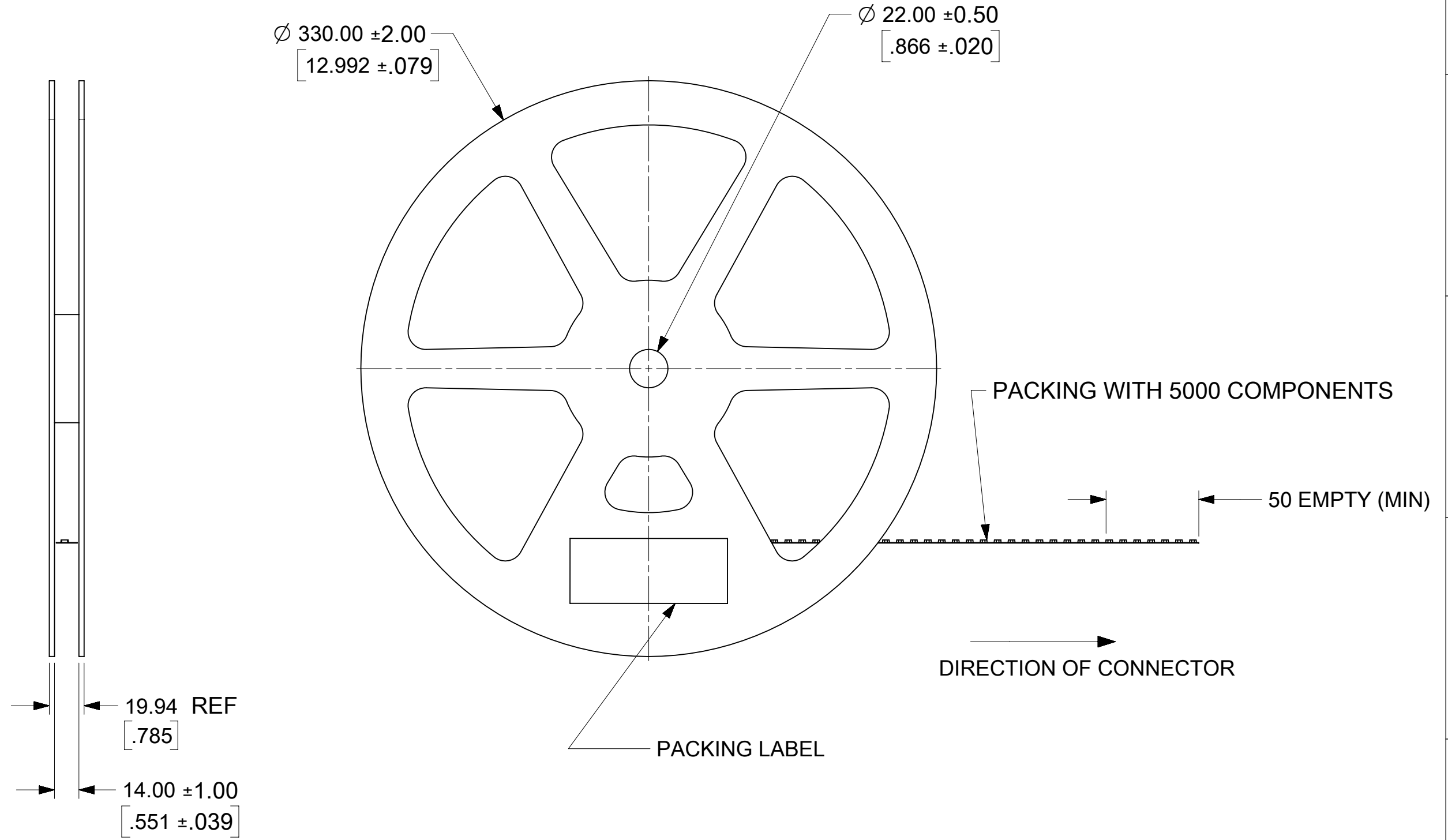
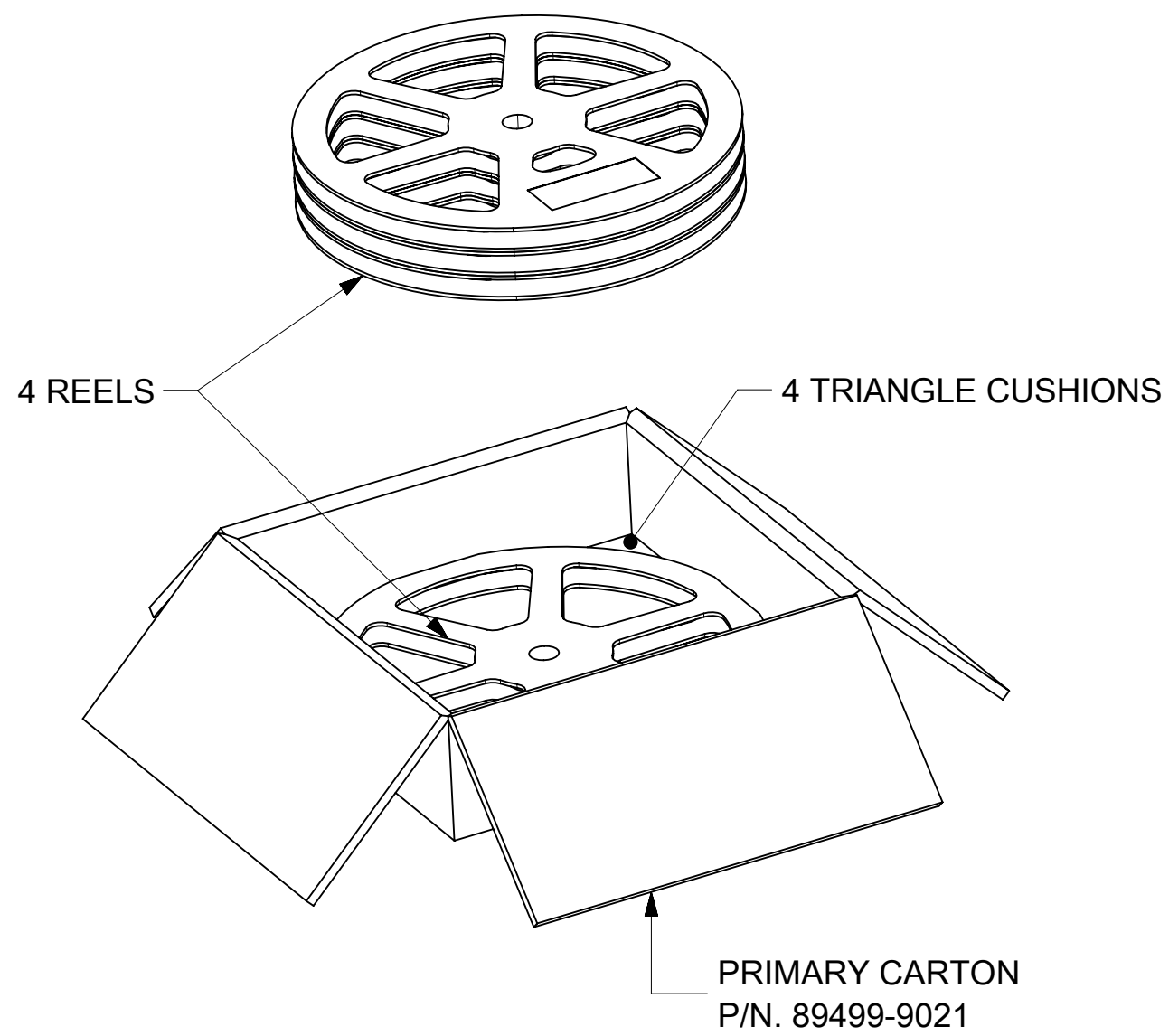
PS-73598-0210	PROD SPEC
SPECIFICATION	DESCRIPTION
DOCUMENT STATUS	P1
RELEASE DATE	2022/07/20 04:31:59



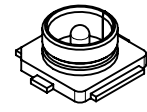
- NOTES:
- 10 SPROCKET HOLE PITCH CUMULATIVE TOLERANCE $\pm 0.20\text{mm}$
 - CARRIER CAMBER IS WITH 1mm IN 250mm
 - MATERIAL : TRANSPARENT POLYSTYRENE
 - ALL DIMENSIONS MEET EIA-481-1 REQUIREMENT
 - COMPONENT LOAD PER 13" REEL (5,000 PCS),
COMPONENT LOAD PER 7" REEL (1,000 PCS),

FUNCTIONAL SYMBOLS	THIS DRAWING CONTAINS INFORMATION THAT IS PROPRIETARY TO MOLEX ELECTRONIC TECHNOLOGIES, LLC AND SHOULD NOT BE USED WITHOUT WRITTEN PERMISSION		CURRENT REV DESC: UPDATED FOR NEW MOLD RER EWR14916-A & PCN511407		molex		
	DIMENSION UNITS	SCALE					
$\nabla_A = 0$	MM/INCH	NTS	EWR-14242-J ADDED LABEL FORMAT FOR 73412-0116		MCRF RECEPTACLE VERTICAL MCRF-J		
$\nabla_C = 0$	GENERAL TOLERANCES (UNLESS SPECIFIED)		EC NO: 714253				
$\nabla_P = 0$	ANGULAR TOL $\pm 2.0^\circ$		DRWN: CWEI02 2021/12/16		PRODUCT CUSTOMER DRAWING		
DIVISIONAL SYMBOLS	4 PLACES \pm		CHK'D: YCHENG 2022/07/20				
	3 PLACES \pm		APPR: YCHENG 2022/07/20		DOCUMENT NUMBER		
	2 PLACES ± 0.25		INITIAL REVISION:				
	1 PLACE ± 0.13		DRWN: YCHENG 2005/03/15		DOC TYPE		
	0 PLACES \pm		APPR: MHUANG 2005/03/21				
DRAFT WHERE APPLICABLE MUST REMAIN WITHIN DIMENSIONS			THIRD ANGLE PROJECTION		REVISION		
			DRAWING				
			SERIES		SHEET NUMBER		
			C-SIZE 73412				
			MATERIAL NUMBER		GENERAL MARKET		
			CUSTOMER				

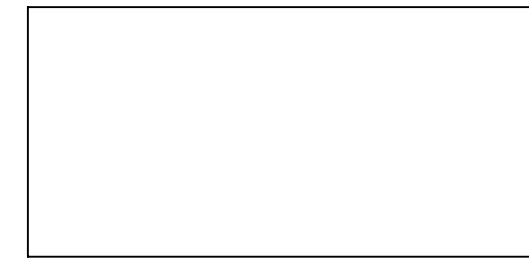
NOTE:
FOR 73412-0110 ONLY



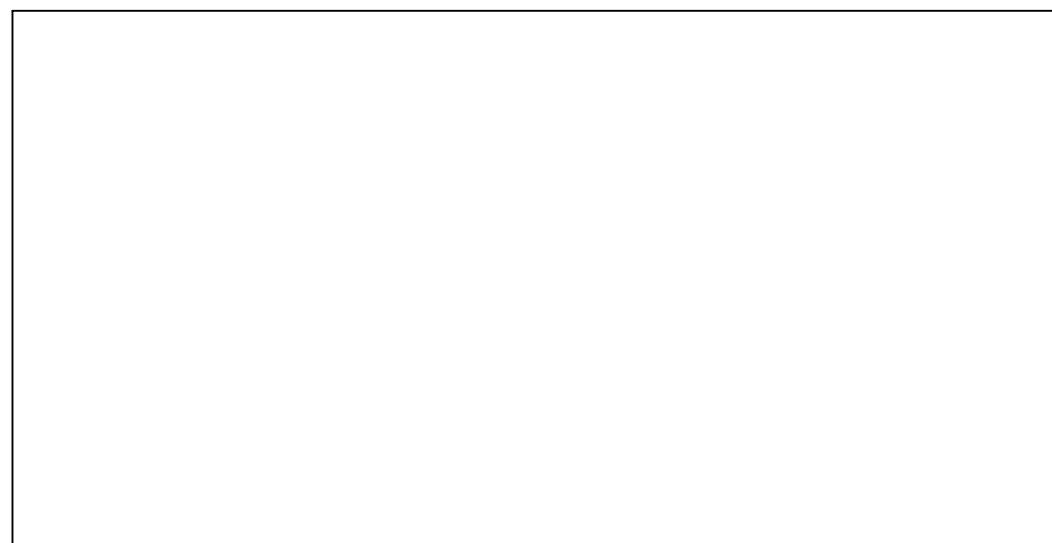
THIS DRAWING CONTAINS INFORMATION THAT IS PROPRIETARY TO MOLEX ELECTRONIC TECHNOLOGIES, LLC AND SHOULD NOT BE USED WITHOUT WRITTEN PERMISSION										
FUNCTIONAL SYMBOLS	DIMENSION UNITS	SCALE	CURRENT REV DESC: UPDATED FOR NEW MOLD RER EWR14916-A & PCN511407							
$\frac{F}{A} = 0$	MM/INCH	NTS	EWR-14242-J ADDED LABEL FORMAT FOR 73412-0116							
$\frac{F}{C} = 0$	GENERAL TOLERANCES (UNLESS SPECIFIED)									
$\frac{F}{P} = 0$	ANGULAR TOL ± 2.0°		EC NO: 714253				2021/12/16			
DIVISIONAL SYMBOLS			DRWN: CWEI02				2022/07/20			
4 PLACES ±			CHK'D: YCHENG				2022/07/20			
3 PLACES ±			APPR: YCHENG				INITIAL REVISION:			
2 PLACES ± 0.25			DRWN: YCHENG				2005/03/15			
1 PLACE ± 0.13			APPR: MHUANG				2005/03/21			
0 PLACES ±			DRAFT WHERE APPLICABLE MUST REMAIN WITHIN DIMENSIONS		THIRD ANGLE PROJECTION	DRAWING	SERIES	MATERIAL NUMBER	CUSTOMER	
DOCUMENT STATUS		P1	RELEASE DATE	2022/07/20	04:31:59	C-SIZE	73412	SEE TABLE	GENERAL MARKET	
MOLEX			MCRF RECEPTACLE VERTICAL MCRF-J				PRODUCT CUSTOMER DRAWING		DOC TYPE	DOC PART
SD-73412-011			PSD		001	D		SHEET NUMBER		
3 OF 4			3 OF 4		3 OF 4		3 OF 4		3 OF 4	



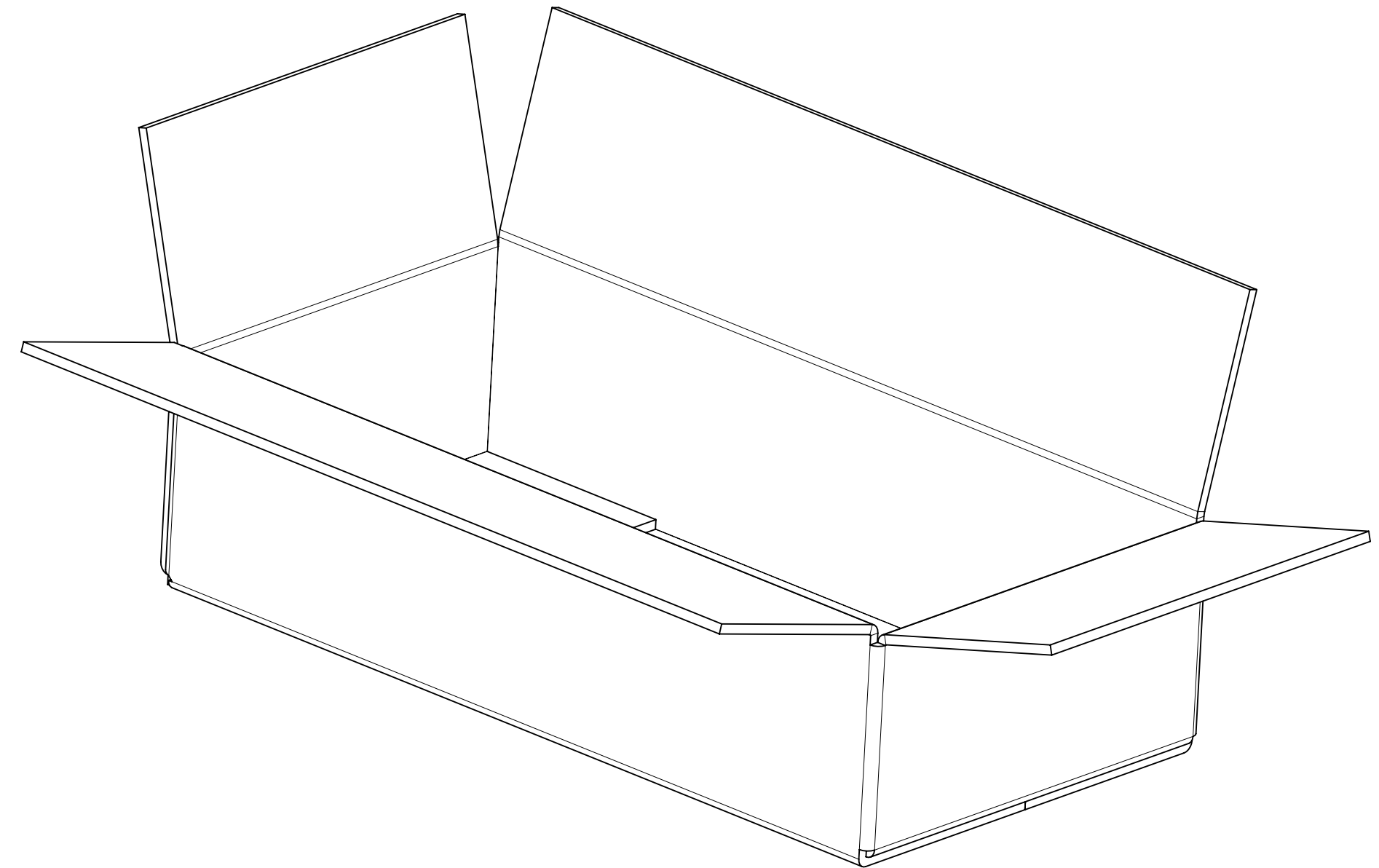
FOR 73412-0116 ONLY



10 SET PER POLYBAG
P/N: 89707-0318

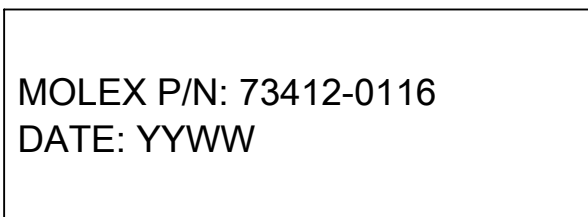


100 SET PER POLYBAG
P/N: 89707-0001



500 SET PER OUTER CARTON BOX
P/N: 96707-0003

LABEL WITH EACH BAG
FOR 73412-0116



THIS DRAWING CONTAINS INFORMATION THAT IS PROPRIETARY TO MOLEX ELECTRONIC TECHNOLOGIES, LLC AND SHOULD NOT BE USED WITHOUT WRITTEN PERMISSION									
FUNCTIONAL SYMBOLS	DIMENSION UNITS	SCALE	CURRENT REV DESC: UPDATED FOR NEW MOLD RER EWR14916-A & PCN511407				molex		
$\frac{F}{A} = 0$	MM/INCH	NTS	EWR-14242-J ADDED LABEL FORMAT FOR 73412-0116						
$\frac{F}{C} = 0$	GENERAL TOLERANCES (UNLESS SPECIFIED)		EC NO: 714253				MCRF RECEPTACLE VERTICAL MCRF-J		
$\frac{F}{P} = 0$	ANGULAR TOL $\pm 2.0^\circ$		DRWN: CWEI02 2021/12/16				PRODUCT CUSTOMER DRAWING		
DIVISIONAL SYMBOLS	4 PLACES \pm		CHK'D: YCHENG 2022/07/20				DOCUMENT NUMBER		
	3 PLACES \pm		APPR: YCHENG 2022/07/20				DOC TYPE		
	2 PLACES ± 0.25		INITIAL REVISION:				DOC PART		
	1 PLACE ± 0.13		DRWN: YCHENG 2005/03/15				REVISION		
	0 PLACES \pm		APPR: MHUANG 2005/03/21				SD-73412-011		
DRAFT WHERE APPLICABLE MUST REMAIN WITHIN DIMENSIONS			THIRD ANGLE PROJECTION		DRAWING	SERIES	MATERIAL NUMBER	CUSTOMER	SHEET NUMBER
					C-SIZE	73412		GENERAL MARKET	4 OF 4