

PART NAME

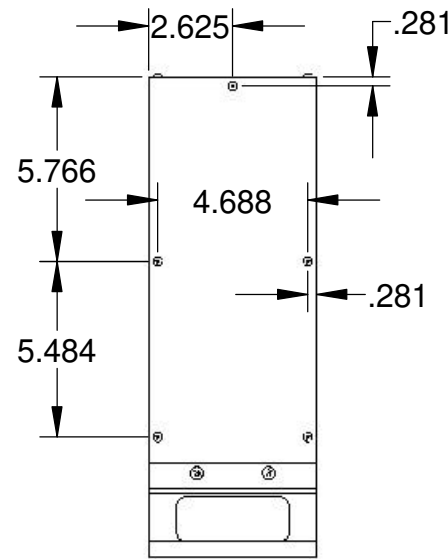
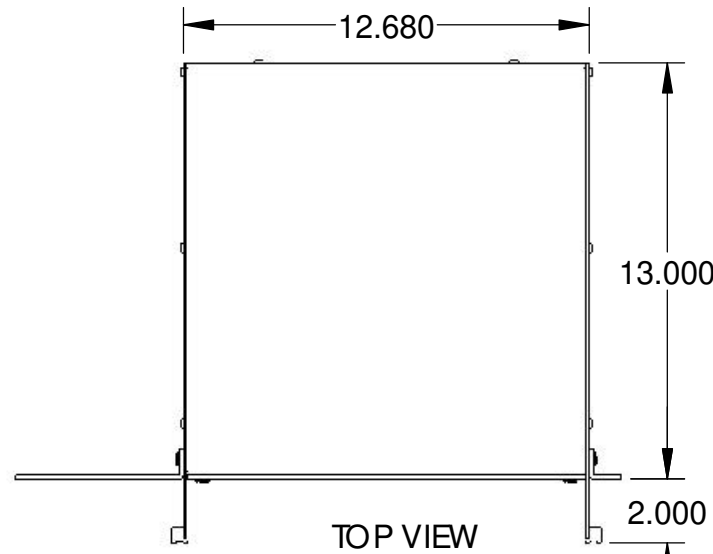
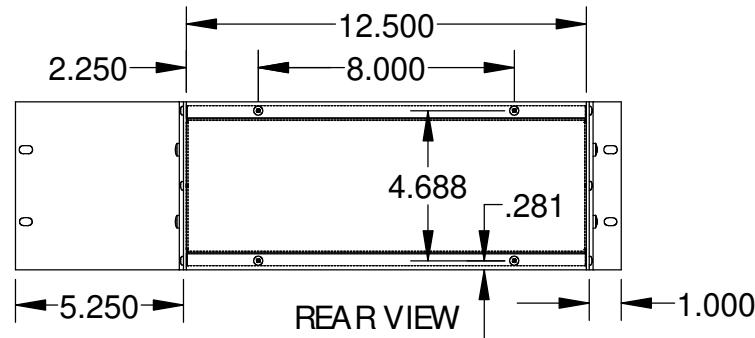
VALU/ LINE SERIES CABINET

PART No.

HC-14102

REVISION DATE

11-1-07



SIDE VIEW

MATERIAL:
 BACK & COVERS 0.050 THICK ALUMINUM
 SIDES & INNER BRACKETS 0.090 THICK ALUMINUM
 FRONT PANEL 0.125 THICK ALUMINUM
 OUTER BRACKETS 11 GA. C.R.S.
 HANDLE EXTRUSIONS ALUMINUM

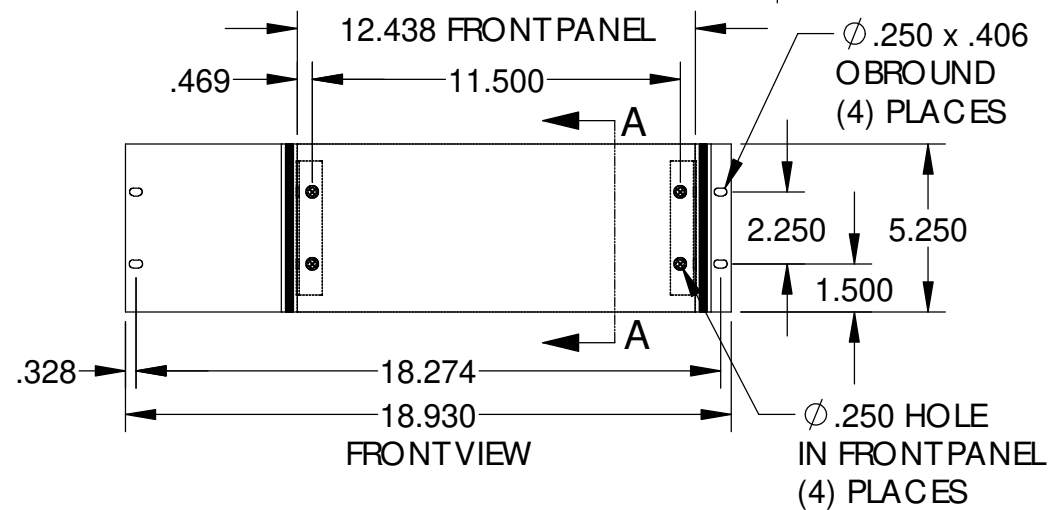
FINISH:
 BACK & COVERS PREPAINTED SMOOTH WHITE
 SIDES & OUTER BRACKETS WHITE TEXTURED
 FRONT PANEL NATURAL (OUTSIDE SURFACE TAPED WITH PVC)
 INNER BRACKETS NATURAL
 HANDLE EXTRUSIONS CAUSTIC ETCH & CLEAR ANODIZED
 FEET BLACK

UNIT SHIPPED UNASSEMBLED.

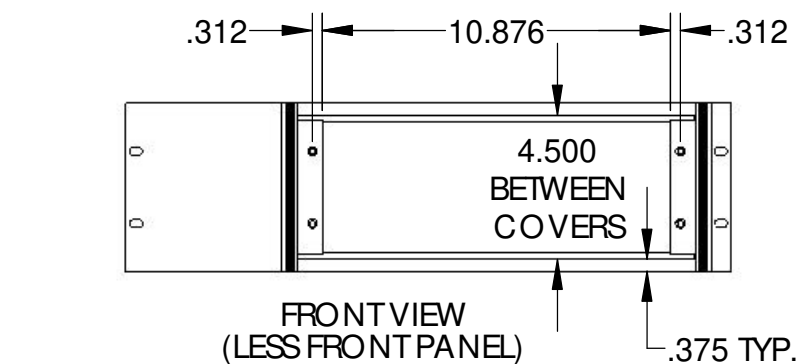
OUTER BRACKETS FOR MOUNTING IN STANDARD 19" WIDE CABINETS.

OPTIONAL SELF-ADHESIVE RUBBER FEET (SUPPLIED)

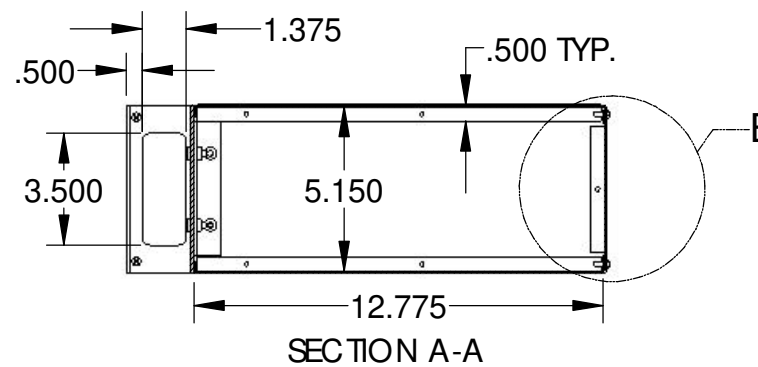
LOAD RATING: 25 LBS. MAX.



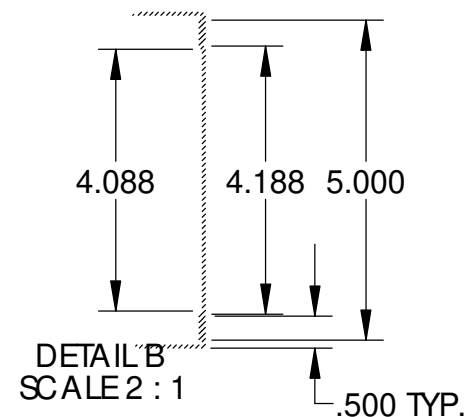
FRONT VIEW



FRONT VIEW (LESS FRONT PANEL)



SECTION A-A



DETAIL B SCALE 2:1

