

**Technical specification:**

Rated voltage: IEC 61076-2-101	4pos 250 V
Current rating: IEC 61076-2-101	4 A at 40°C
Insulation resistance: IEC 60512	>=100 MΩ
Pollution degree: IEC 60664-1	3/2
Degree of protection: DIN 40050-9	IP 69K, in mated condition
Temperature range: IEC 60664-1	-30°C ... +105°C
Mating cycles: IEC 60512-9a	>=100

**Materials:**

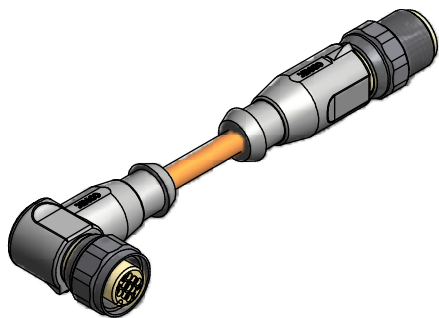
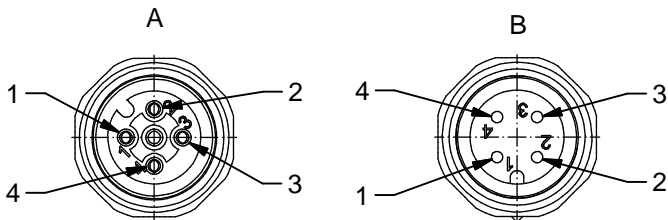
Contact:	CuZn
Contact plating:	Nickel, gold plated
Contact carrier:	PP GF, UL 94
Sealing:	FPM
Coupling nut/ screw:	1.4404 stainless steel
Moulding body:	Thermoplastic elastomere, grey

**Installation specification:**

Recommended torque:	0,6 Nm
---------------------	--------

**Contact assignment:**

- 1) brown
- 2) white
- 3) blue
- 4) black



Part no:	Description:	Length L:	Cable:
43-10924	SAL - FB - 12 - RKW4 - RS4 - 0,3 / P1	0,3m	PP, orange, 4x0,34mm <sup>2</sup> Cable: 781-P13400
43-10925	SAL - FB - 12 - RKW4 - RS4 - 0,6 / P1	0,6m	
43-10926	SAL - FB - 12 - RKW4 - RS4 - 1,5 / P1	1,5m	
43-10927	SAL - FB - 12 - RKW4 - RS4 - 3 / P1	3m	
43-xxxxx	SAL - FB - 12 - RKW4 - RS4 - ... / P1	x	

D see data sheet cable

DO NOT ALTER CAD DRAWING BY HAND	Directive 2002/95/EC RoHS compliant	Index: b 23.02.11 VF Ä3909 technical specification changed, part no. cable in table added, data sheet modified	dim. in mm	title: <b>Connecting cable M12x1, FB, female connector angled - male connector axial</b>										
		tolerance of cable: L ≤ 4m: L + 40mm L > 4m: L + 1%	<table border="1" style="width: 100%; border-collapse: collapse;"> <tr> <td style="width: 30px;"></td> <td style="width: 30px;">date</td> <td style="width: 30px;">name</td> </tr> <tr> <td>drawn</td> <td>14.03.07</td> <td>Burschik</td> </tr> <tr> <td>appd.</td> <td>14.03.07</td> <td>Mankopf</td> </tr> </table>			date	name	drawn	14.03.07	Burschik	appd.	14.03.07	Mankopf	dwg no:  <div style="text-align: center; font-size: 1.2em; font-weight: bold;">43K1A449</div>
			date		name									
		drawn	14.03.07		Burschik									
appd.	14.03.07	Mankopf												
THIS DRAWING MAY NOT BE COPIED OR REPRODUCED IN ANY WAY, AND MAY NOT BE PASSED ON TO A THIRD PARTY WITHOUT WRITTEN PERMISSION. OWNERSHIP AND COPYRIGHT OF CONEC GmbH		part no:  <div style="text-align: center; font-size: 1.2em; font-weight: bold;">see table</div>												