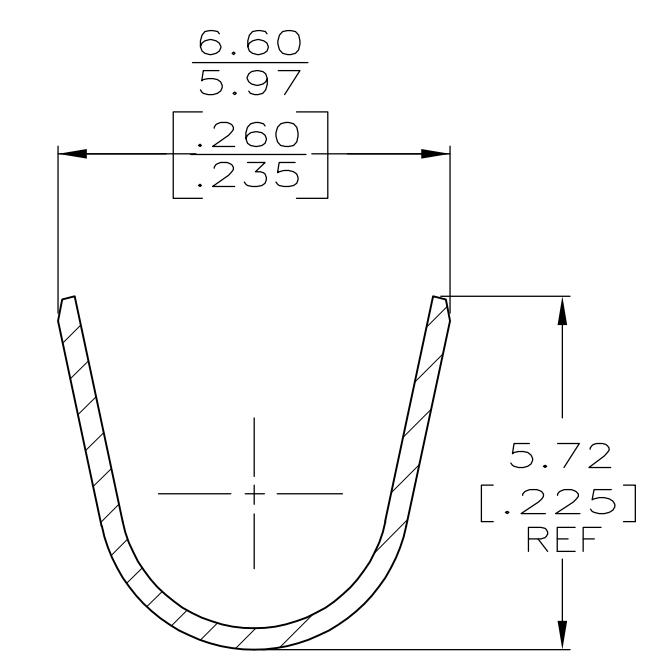
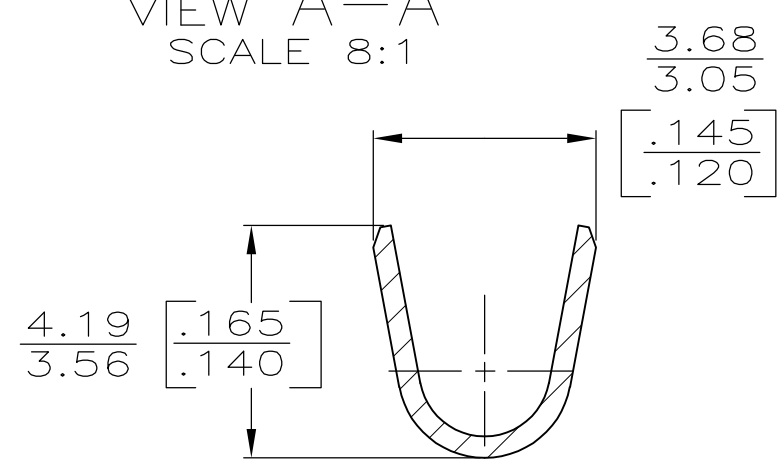
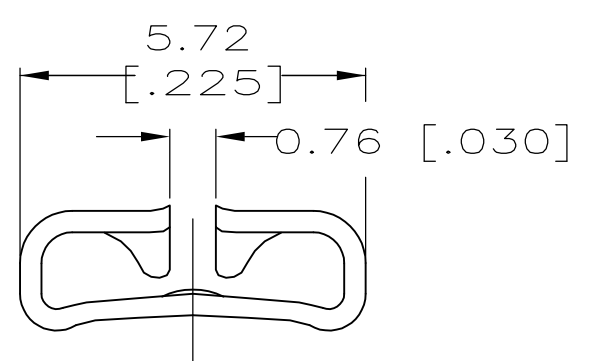
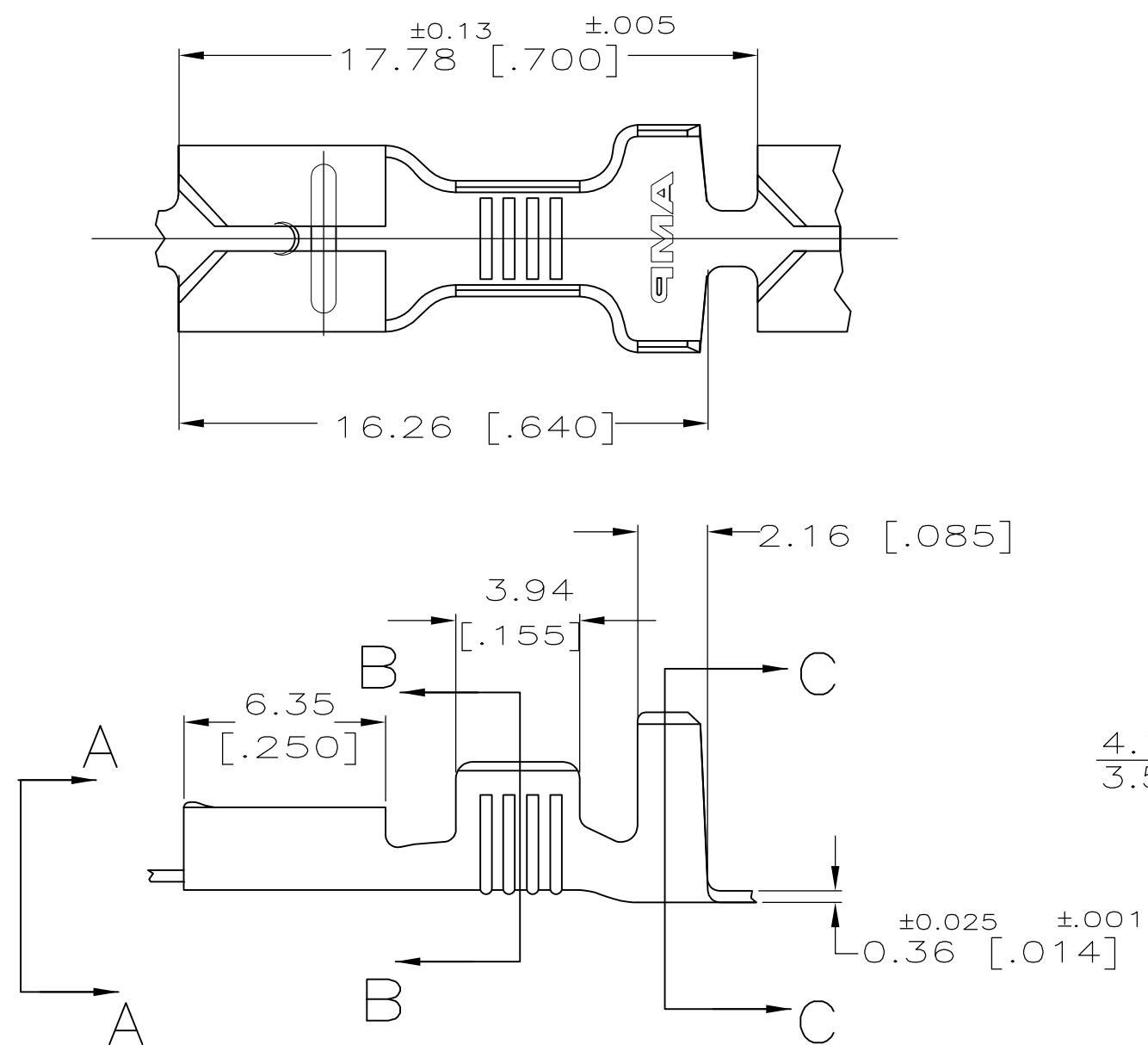


THIS DRAWING IS UNPUBLISHED. RELEASED FOR PUBLICATION
 © COPYRIGHT - By - ALL RIGHTS RESERVED.

LOC	DIST	REVISIONS			
P	LTR	DESCRIPTION	DATE	DWN	APVD
AF	50				
	D	REVISED PER ECR-12-013518	23NOV2012	KH	PD



1 CONTINUOUS STRIP ON REELS.

3.81-4.83 DIA [.150-.190] DIA	0.8-2.0mm ² [#18-14]AWG	0.81 [.032]	63697-1
INSUL RANGE	WIRE SIZE	MATING TAB THK±0.025 [.001]	PART NO

THIS DRAWING IS A CONTROLLED DOCUMENT.		DWN JR RUTH 2/19/93	TE Connectivity	
DIMENSIONS: mm [INCHES]		CHK MS FEHER 2/19/93		
TOLERANCES UNLESS OTHERWISE SPECIFIED:		APVD C MEYERS 2/19/93	NAME RECEPTACLE, FASTON, TM 4.75 [.187] SERIES	
0 PLC ± - 1 PLC ± - 2 PLC ± 0.25 [.010] 3 PLC ± - 4 PLC ± - ANGLES ± -		PRODUCT SPEC -	APPLICATION SPEC 114-2036	
MATERIAL BRASS	FINISH PRE-TIN	WEIGHT -	SIZE A3	CAGE CODE 00779
CUSTOMER DRAWING			DRAWING NO C-63697	RESTRICTED TO -
			SCALE 5:1	SHEET 1 OF 1
			REV D	