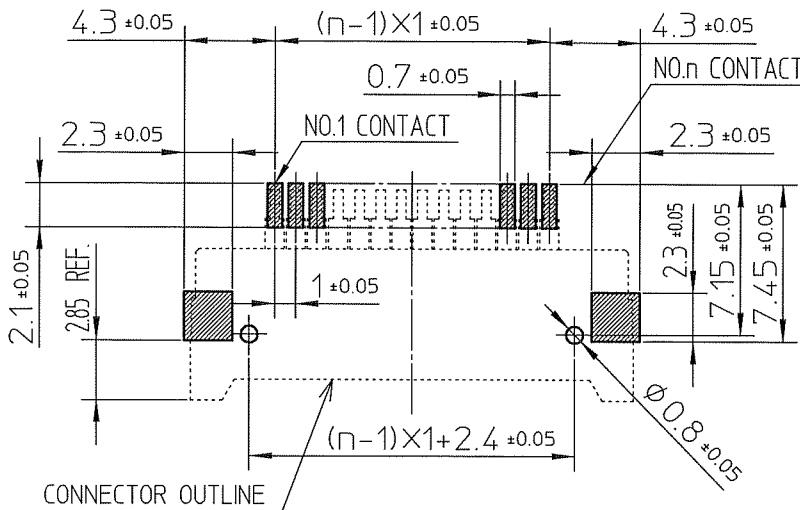


PT. NO.	PARTS NAME	MATERIAL	Q'TY	NOTE
1	HOUSING	GLASS FILLED THERMOPLASTIC RATED (UL94V-0)	1	COLOR:BRACK
2	CONTACT	BRASS	n	PLATING:TIN (LEAD FREE)
3	MOUNTING PLATE	BRASS	2	PLATING:TIN (LEAD FREE)

RECOMMENDED PC BOARD LAYOUT
(COMPONENT SIDE)

n:NO. OF CONTACTS
(10 TO 30 , ONLY EVEN POS.)



NOTE
1.Flatness for contact terminal and mounting plate must be within 0.1.
2.This product meets European Union Directives and other country regulations as described in GS-22-008.

mat'l. code		surface ISO 1302 ✓		tolerance ISO 406 ISO 1101		projection		product family 590F	
ltr	ecn no	dr	date	tolerances unless otherwise specified		 scale		title FLOATING BOARD TO BOARD RECEPTACLE CONNECTOR (LEAD FREE) (CAT.No.BTFW__R-3RBTLF)	
A	J05-0470	M.K	Aug.2,'05	angles	linear				
B	J07-0021	M.K	Jan.15,'07					dwg no JSA 96640	
sheet index		revision sheet		dr	K.Higuchi	Jan.15,'07	sheet 1 of 1 size A4		
				enr	M.Koga	Jan.15,'07	type Product Customer Drawing		
				chr	K.Higuchi	Jan.15,'07	Rev B		
				appd	M.Koga	Jan.15,'07			