

NEW

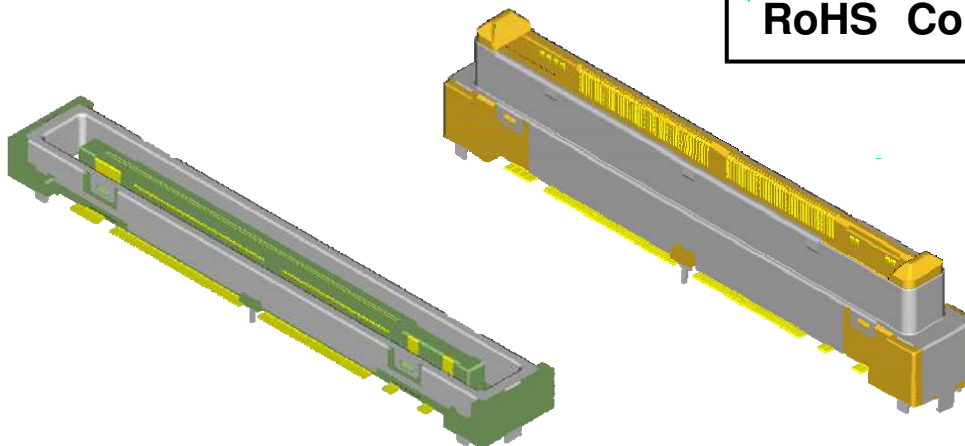

Docking Connector Compatible to PCI Express

CONNECTOR

MB-0137-2

July 2006

WD1 Series

RoHS Compliant

Along with the shift of the internal transmission method of PC from PCI to PCI Express, the demands for high speed transmission connectors are increasing.

WD1 Series are docking connectors available for PCI Express signal transmission.

Features

- Compatible to high speed serial transmission such as PCI Express.
- Provided with contacts exclusively for power and modem, besides the signal contacts.
- Contacts for modem, satisfies the withstand voltage 1500V.
- Comes with ground bar compatible with ESD on receptacle side
- Compatible to automatic mounting/ reflow (Available in tray with kapton tape /plastic)
- Receptacle side height 6.1mm, mating height 16.5mm
- Mating order: shell, power contact (large), signal contact and power contact (small).

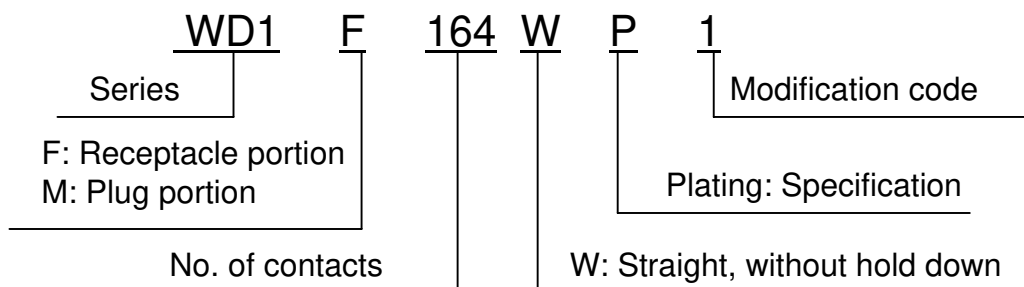
General Specifications

- No. of contacts :164 pos. (signal)+ 4(power)
- Contact resistance: 160m ohm max. (180m ohm max. after test)
- Dielectric withstanding voltage : AC500V per minute
- Operating temperature: -40 Deg. C to +85 Deg. C
- Rated current: 0.5A/ per pin
- Durability: 10,000 mating cycle

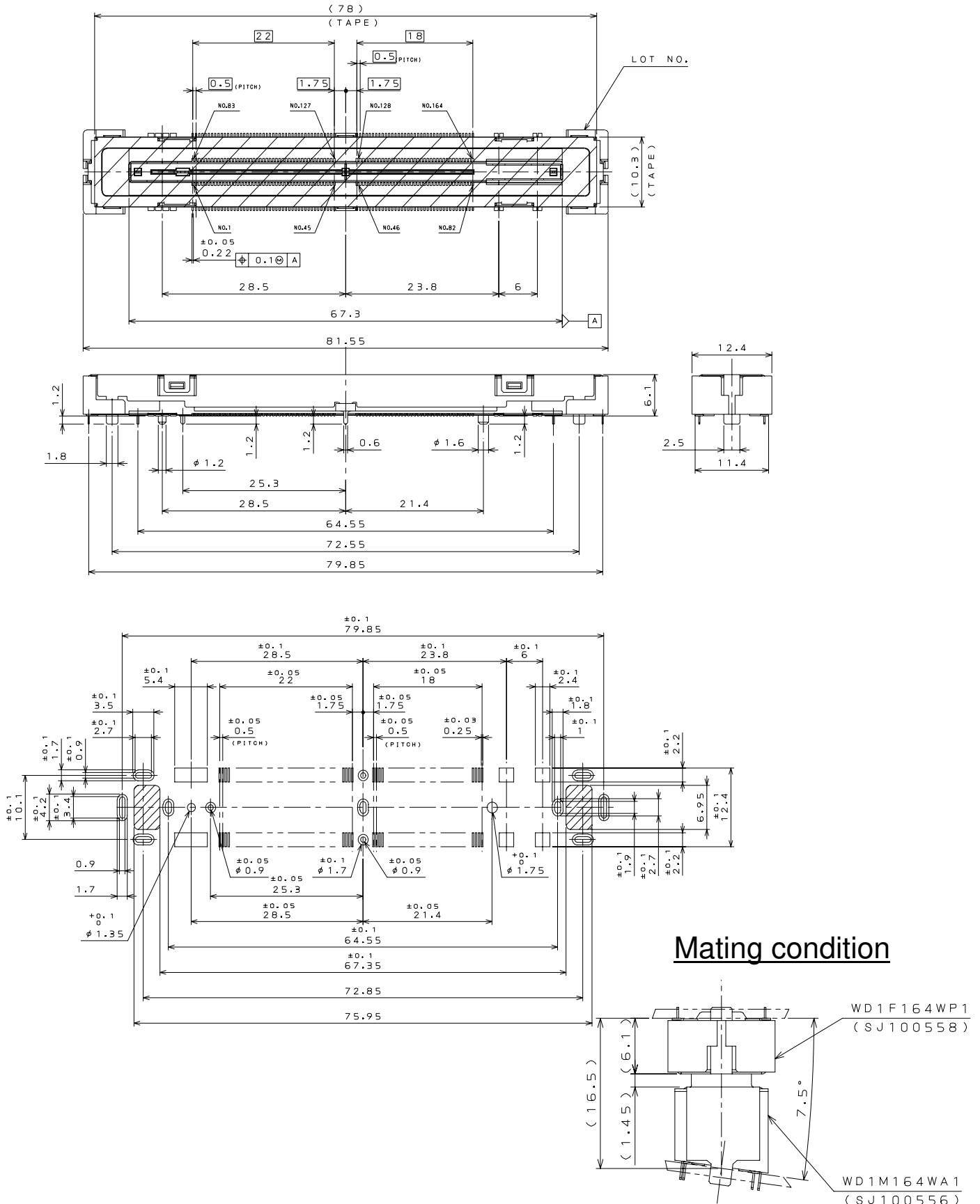
Materials and Finishes

Components		Materials/ Finishes
Receptacle		
Contact 1	Phosphor bronze	Contact: 0.1um min. Au plating over Ni
		Terminal: Tin plating
Contact 2	Copper alloy	Same as abvoe
Power contact	Copper alloy	Same as abvoe
Insulator	Glass filled LCP	UL94V-0 black
Shell	Steel	Tin plating
Plate	Brass	Tin plating
Hold pin	Copper alloy	0.03um min. Au plating
Tape	Heat-resistant tape	
Plug		
Contact 1	Copper alloy	Contact: 0.1um min. Au plating over Ni
		Terminal: 0.03um min. Au plating
Contact 2	Copper alloy	Same as abvoe
Power contact	Copper alloy	Same as abvoe
Insulator	Glass filled LCP	UL94V-0 black
Shell	Steel	Tin plating
Adsorption cover	Glass filled nylon	UL94V-0 black
Nut	Small	M2
Hold pin	Copper alloy	0.03um min. Au plating

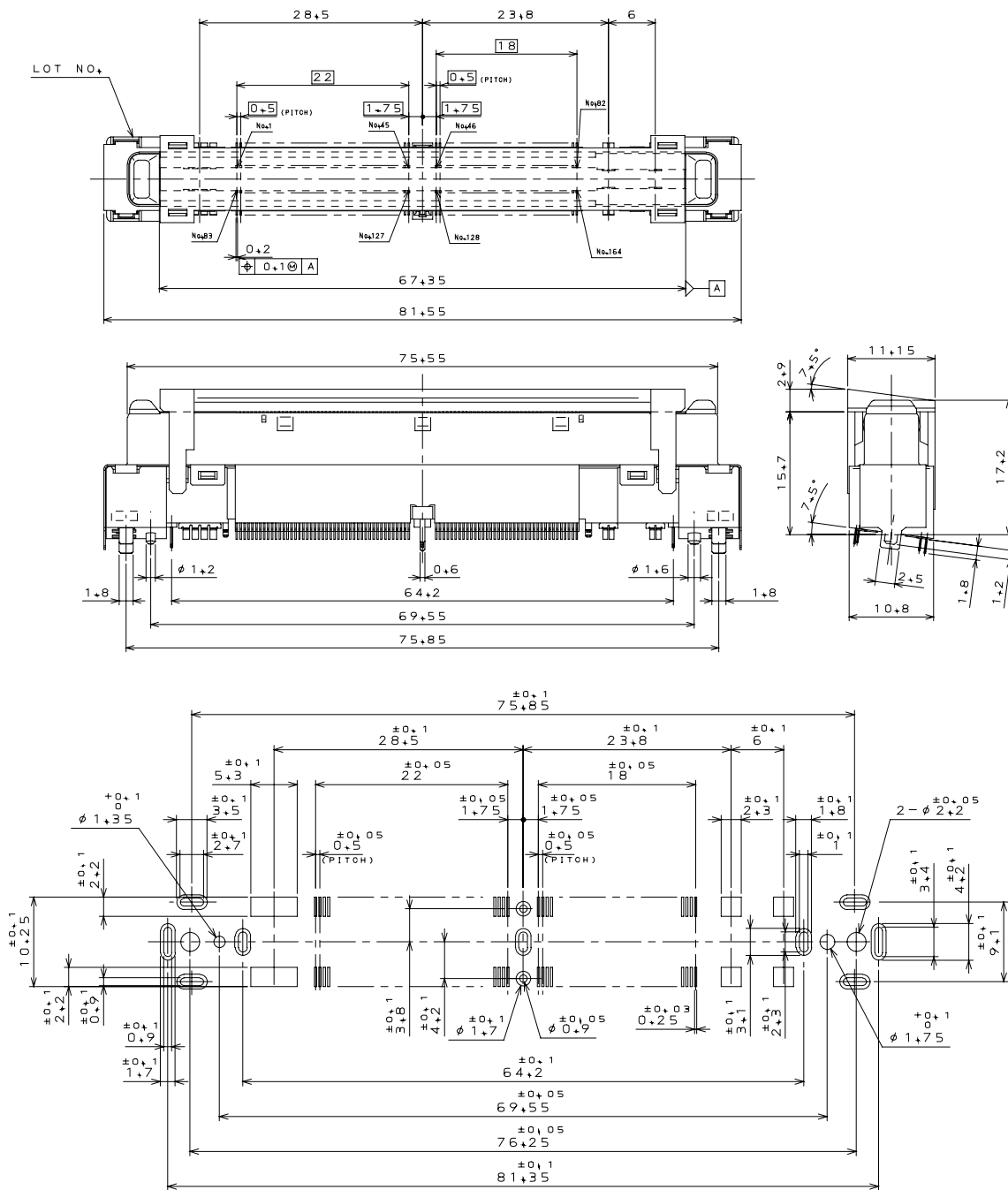
Ordering Information



Receptacle side: WD1F104WP1 (SJ100558)
 Provided in tray: WD1F164WP1T22 (SJ100559)



Receptacle side: WD1M164WA1 (SJ100556) Provided in tray: WD1M164WA1T18(SJ100557)



Notice: Products shown in this leaflet are made for the applications listed below. However, if the above-mentioned products are to be used in aerospace devices, marine cable-connection devices, atomic power control systems, medical equipment for life-support systems, or any other specific application requiring extremely high reliability, please contact JAE for further information.

Recommended applications: computers, office machines, measuring devices, telecommunication devices (terminals, mobile devices), AV devices, household applications, FA devices, etc.

Japan Aviation Electronics Industry, Limited

Product Marketing Division
 Aobadai Building, 3-1-19, Aobadai, Meguro-ku, Tokyo 153-8539
 Phone: +81-3-3780-2787 FAX: +81-3-3780-2946

* The specifications in this brochure are subject to change without notice. Please contact JAE for information.