

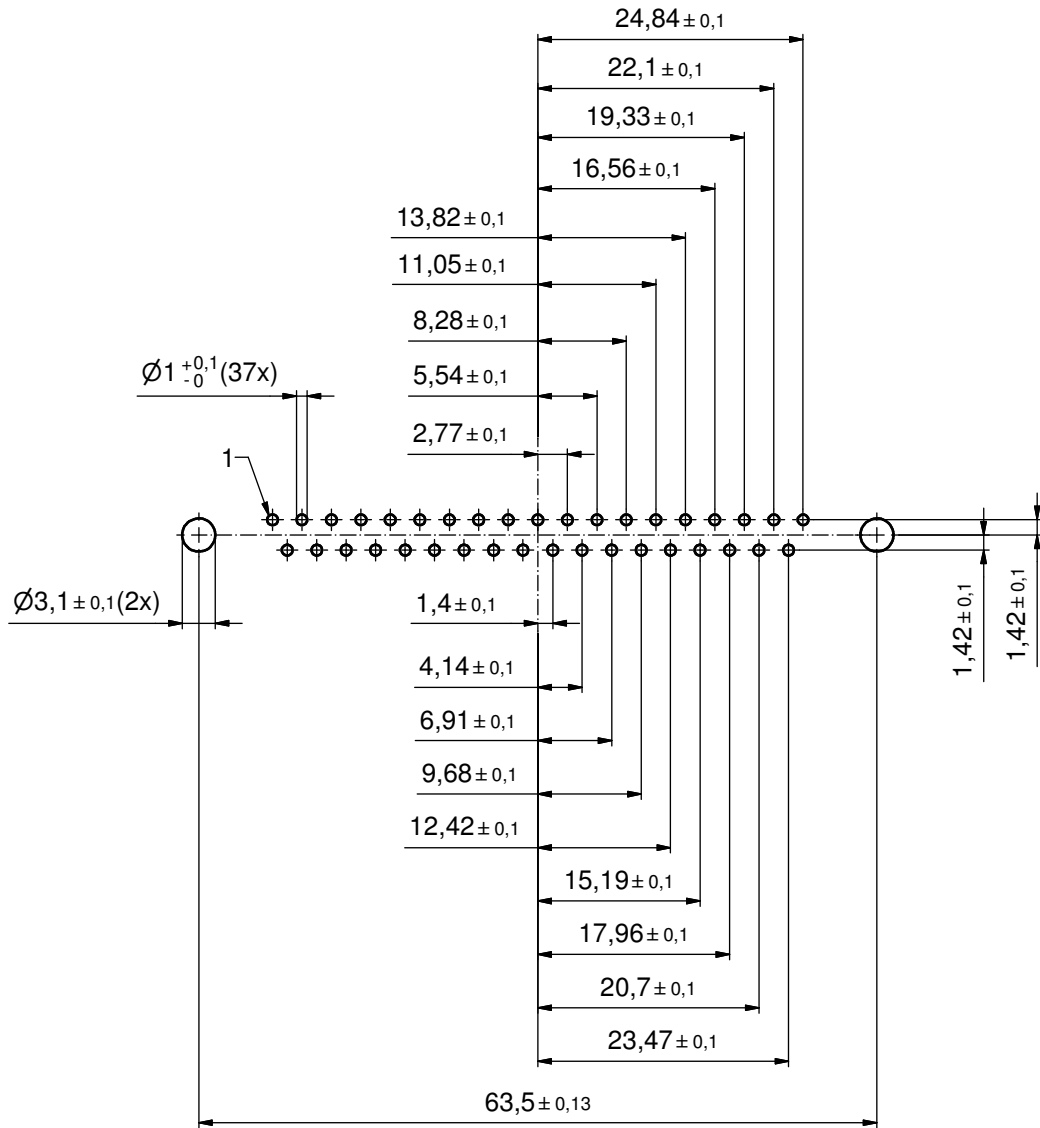
NOTES: (b)

1. RoHS COMPLIANT
2. FOR WAVESOLDERING (SOLDER BATH TEMPERATURE 260°C FOR 5 SEC. AND SOLDER PREHEAT 100°C FOR 30 SEC.)
3. METALSHELLS: STEEL; min. 315µm TIN over 40-80µm NICKEL
4. INSULATOR: HIGH TEMPERATURE PLASTIC UL 94 V-0; BLACK
5. CONTACTS: COPPER ALLOY; PLATING (SEE PART NO.):
 PLEASE ADD A for GOLD FLASH over NICKEL (PREFERRED TYPE)
 PLEASE ADD B for 20µm HARD GOLD over min. 50µm NICKEL
 PLEASE ADD C for 30µm HARD GOLD over min. 50µm NICKEL
 CONTACTS TAILS PRETINNED
6. THREADED SPACER CLIPS: COPPER ALLOY; min. 200µm TIN over 80µm NICKEL
 PCB-HOLE: $\varnothing 3,1 \pm 0,1$; PCB THICKNESS 1,6mm
7. COLLARS: COPPER ALLOY; min. 200µm TIN over 80µm NICKEL
8. CAPACITANCE: 2 x 1300pF $\pm 20\%$
9. DIELECTRIC WITHSTANDING VOLTAGE: 300 VDC
10. P.C.B. HOLE DRILLINGS SEE SHEET 2
11. MAXIMUM TORQUE VALUE FOR THREAD: 6 in.LB
12. CONNECTOR IS PART MARKED: 241□26510X CONEC ABC

Directive 2002/95/EC RoHS compliant

THIS DRAWING MAY NOT BE COPIED OR REPRODUCED IN ANY WAY, AND MAY NOT BE PASSED ON TO A THIRD PARTY WITHOUT WRITTEN PERMISSION. OWNERSHIP AND COPYRIGHT OF CONEC GmbH DO NOT ALTER CAD DRAWING BY HAND				tolerance		dim. in mm	scale: 2:1 (5:1)		
				date			material: SEE NOTES		
				drawn	06.05.13	name		title: D-SUB PI FILTER MALE 37pos. SOLDER PIN STRAIGHT with threaded spacer clip	
				appd.	06.05.13	Fischer			
norm									
d-old	24K1A930		dwg no:		DIN-A3 sh: 1/2				
6 x b	A4743	06.05.2013	K.H.	(b) 24K1A1438					
a	Original			part no: (b) 241□26510X (see note 5)					
rev.	description	date	name						

P.C.B. HOLE DRILLINGS
(P.C.B. TOP SIDE)



THIS DRAWING MAY NOT BE COPIED OR REPRODUCED IN ANY WAY, AND MAY NOT BE PASSED ON TO A THIRD PARTY WITHOUT WRITTEN PERMISSION. OWNERSHIP AND COPYRIGHT OF CONEC GmbH DO NOT ALTER CAD DRAWING BY HAND				tolerance		scale: 2:1
					dim. in mm	material: SEE SHEET 1
				date	name	title: P.C.B. HOLE DRILLINGS D-SUB PI FILTER MALE 37pos. SOLDER PIN with threaded spacer clip
				drawn 06.05.13	Henneboel	
				appd. 06.05.13	Fischer	
				norm		dwg no:
				d-old	24K1A930	24K1A1438
a	Original				part no: SEE SHEET 1	sh: 2/2
rev.	description	date			name	