

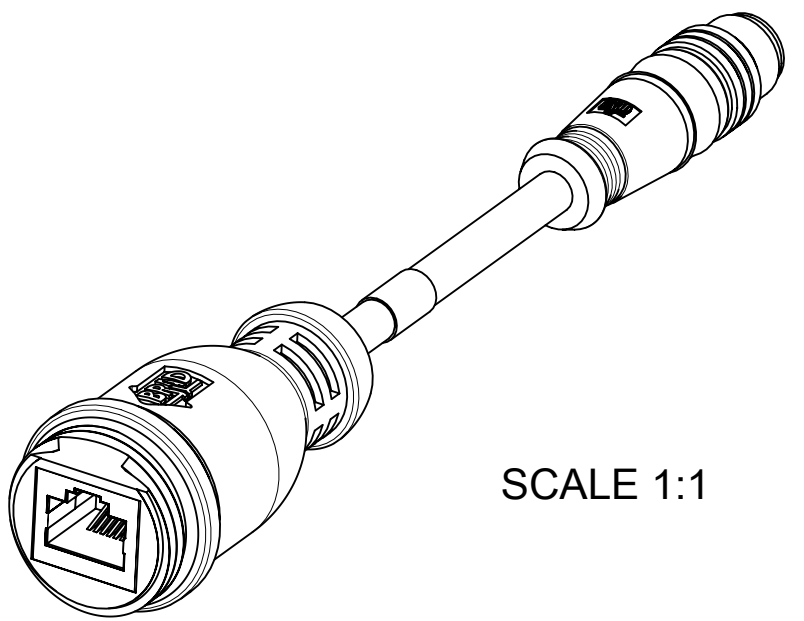
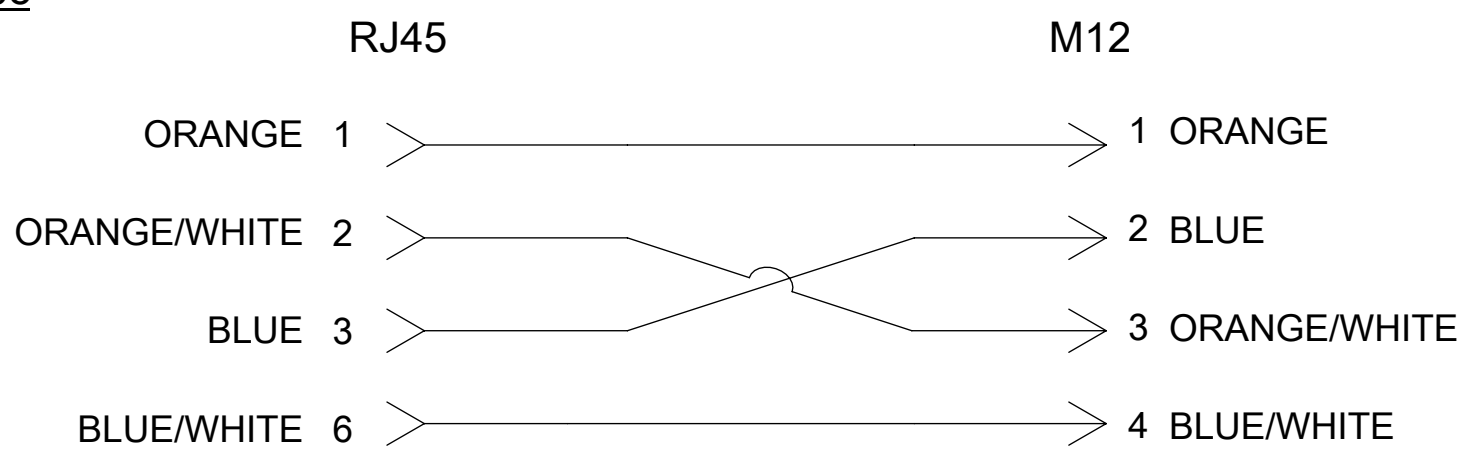
MATERIAL NO.	ENGINEERING NO.	FINISHED LENGTH
1300480210	E51A03002M005	1 FT 7.7 IN (0.5M)
1300480028	E51A03002M040	13 FT 1.48 IN (4M)
1300488149	E51A03002M250	82 FT 0.25 IN (25M)

PART NO. MATRIX
E51A03002M005

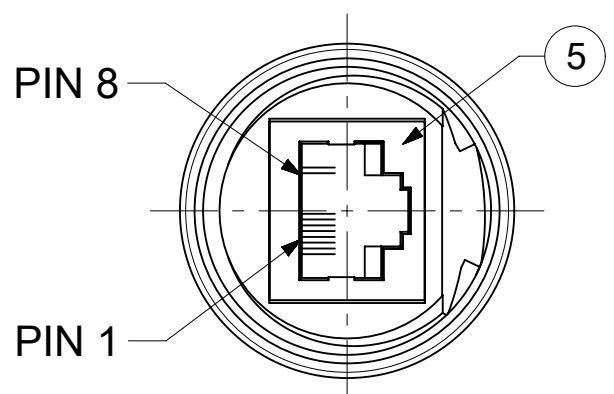
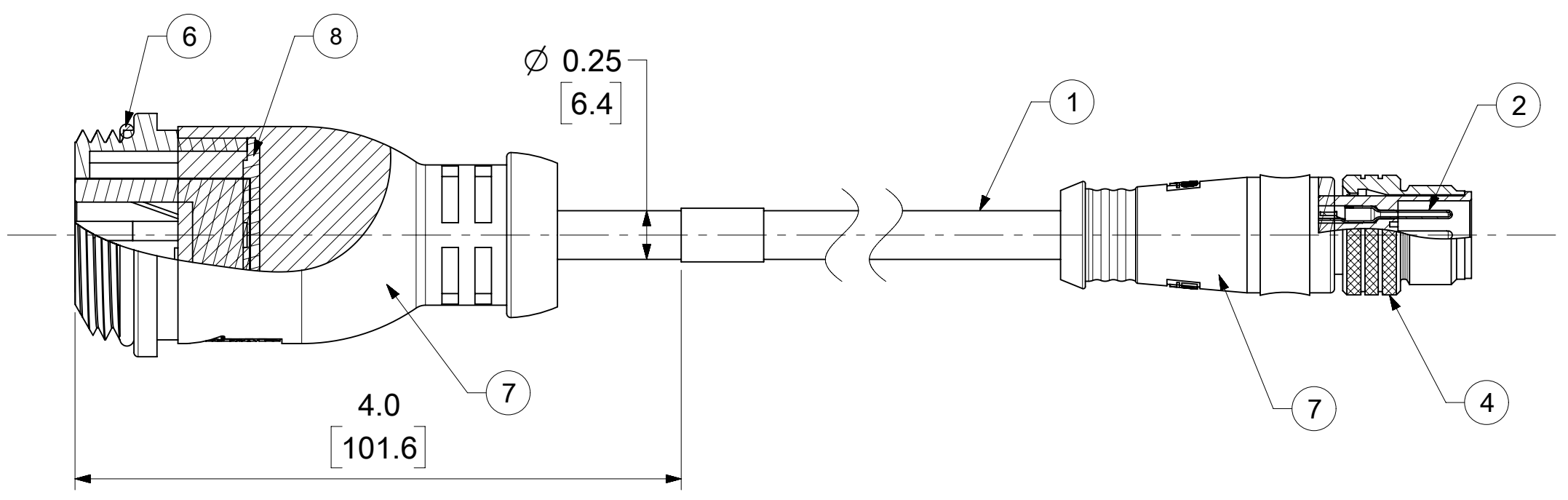
WIRING DIAGRAM

CABLE LENGTH TOLERANCES
 <.3M [1FT]: +19mm-0 [+ .75in-0]
 .3 - .9M [1 - 3FT]: +44.5mm-0 [+1.75in-0]
 .9 - 1.8M [3 - 6FT]: +55.6mm-0 [+2.19in-0]
 1.8 - 3.7M [6 - 12FT]: +88.9mm-0 [+3.50in-0]
 3.7 - 7.3M [12 - 24FT]: +165.1mm-0 [+6.50in-0]
 7.3-14.6M [24 - 48FT]: +317.5mm-0 [+12.50in-0]
 14.6 - 30.5M [48-100FT]: +622.3mm-0 [+24.50in-0]
 OVER 30M [100FT] +2% OF FINISHED LENGTH

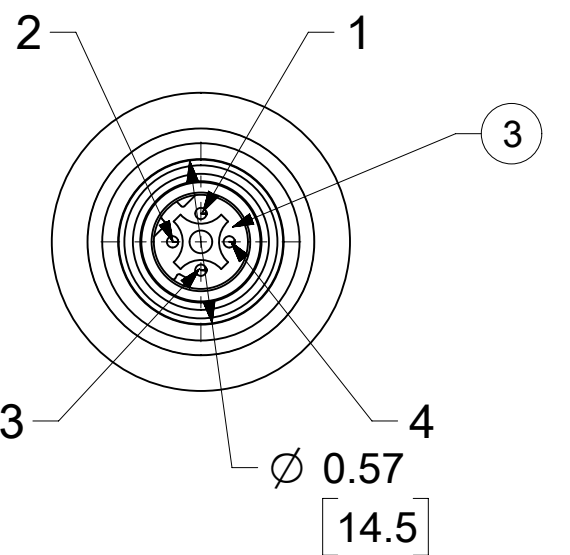
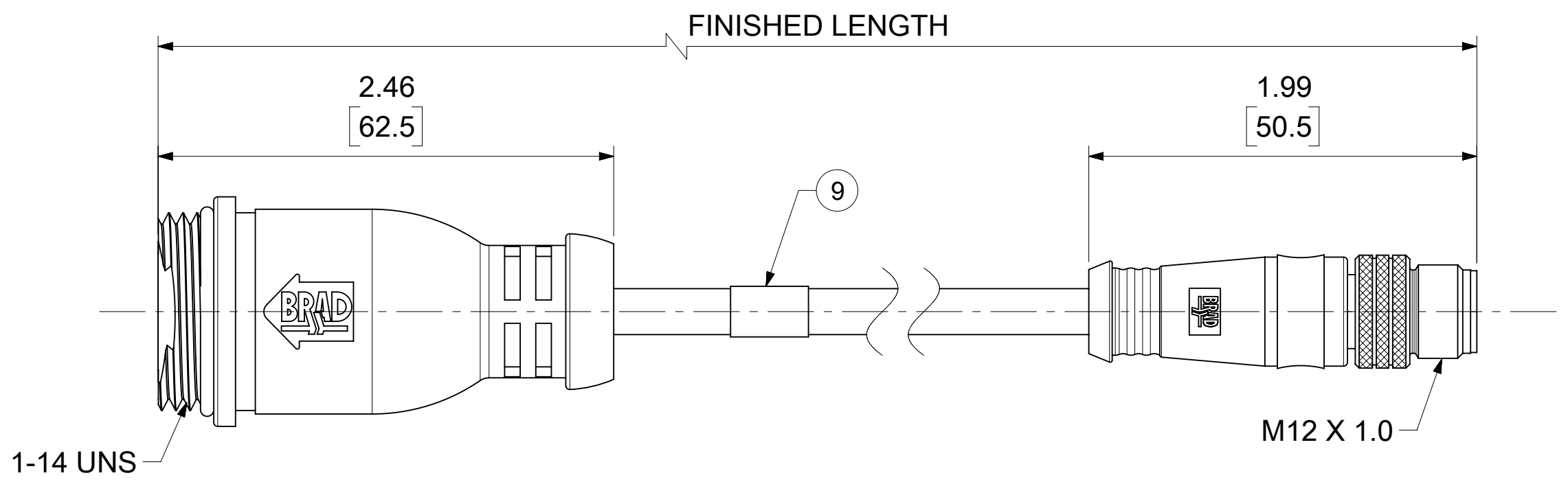
FINISHED LENGTH
 M005= 0.5 METER
 M010= 1 METER
 M100= 10 METER



- NOTES:**
- MATERIAL: AS NOTED
 - FINISH: AS NOTED
 - ELECTRICAL SPECIFICATIONS
 VOLTAGE RATING: 125V
 CURRENT RATING: 1.5A
 - TEMP RANGE: -20°C TO +75°C
 - PROTECTION: IP67 (WHEN MATED)
 - UL FILE: E200650
 - ALL DIMS ARE FOR REFERENCE UNLESS TOLERANCED OR NOTED OTHERWISE



RJ45 FACE VIEW



D-CODE FACE VIEW

9	LABEL	VINYL	BLACK/WHITE
8	REAR SNAP COVER	ABS	BLACK
7	OVERMOLD	TPU	BLACK
6	O-RING	VITON	BLACK
5	RJ45 RECEPTACLE	-	-
4	COUPLING NUT M12 MALE	BRASS	NICKEL
3	INSERT D-CODE 4 POLE MALE	PUR	BLACK
2	CONTACT PIN	COPPER ALLOY	GOLD PLATED
1	CABLE, ETHERNET, 24-4	PVC JACKET	TEAL
ITEM	DESCRIPTION	MATERIAL	FINISH

FUNCTIONAL SYMBOLS FA=0 FC=0 FP=0	THIS DRAWING CONTAINS INFORMATION THAT IS PROPRIETARY TO MOLEX ELECTRONIC TECHNOLOGIES, LLC AND SHOULD NOT BE USED WITHOUT WRITTEN PERMISSION		CURRENT REV DESC: INITIAL RELEASE	
	DIMENSION UNITS	SCALE	EC NO: 648668	
	INCH/MM	1.5:1	DRWN: VASUTHKARP	2020/09/21
DIVISIONAL SYMBOLS	GENERAL TOLERANCES (UNLESS SPECIFIED)		CHK'D: RSTONE	2020/11/11
	4 PLACES	±	APPR: BWOODMAN	2020/11/18
	3 PLACES	±	INITIAL REVISION:	
	2 PLACES	±	DRWN: VASUTHKARP	2020/09/21
1 PLACE	±	APPR: BWOODMAN	2020/11/18	
0 PLACES	±	DRAFT WHERE APPLICABLE MUST REMAIN WITHIN DIMENSIONS		
ANGULAR TOL		± °	THIRD ANGLE PROJECTION	DRAWING SERIES
C-SIZE		130048	DOCUMENT NUMBER	DOC TYPE DOC PART REVISION
SEE TABLE		GENERAL MARKET	1300480210	PSD 000 A
MATERIAL NUMBER		CUSTOMER	SEE TABLE	SHEET NUMBER
130048		GENERAL MARKET	1300480210	1 OF 1