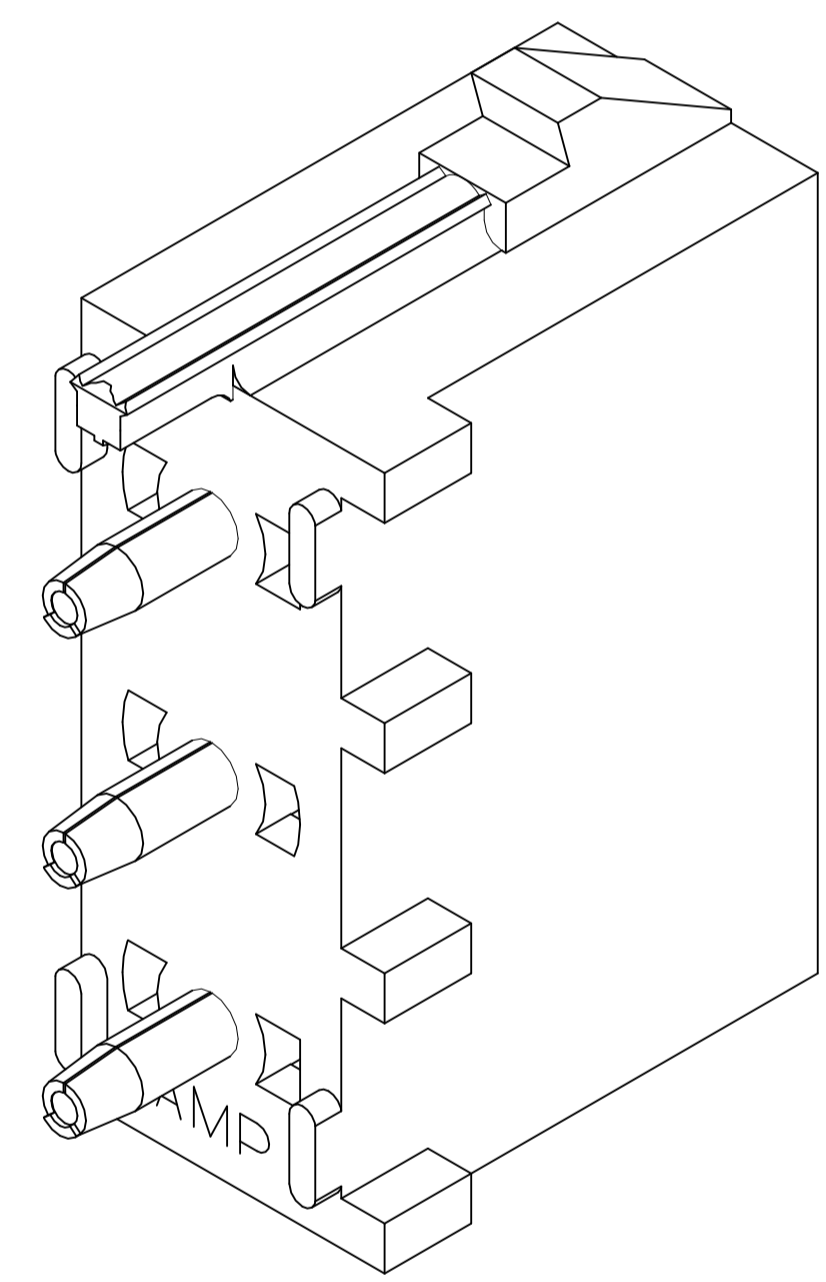
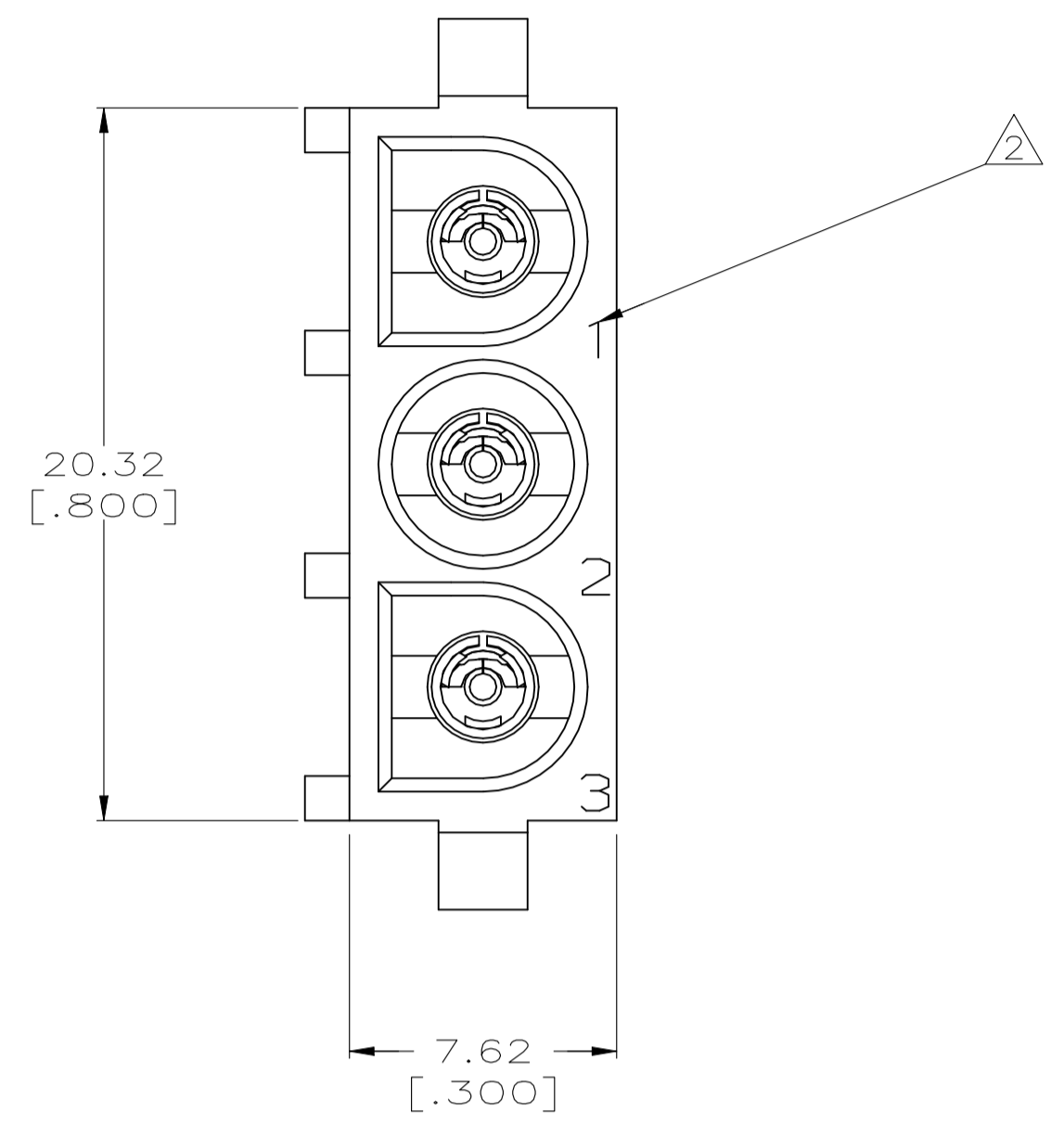
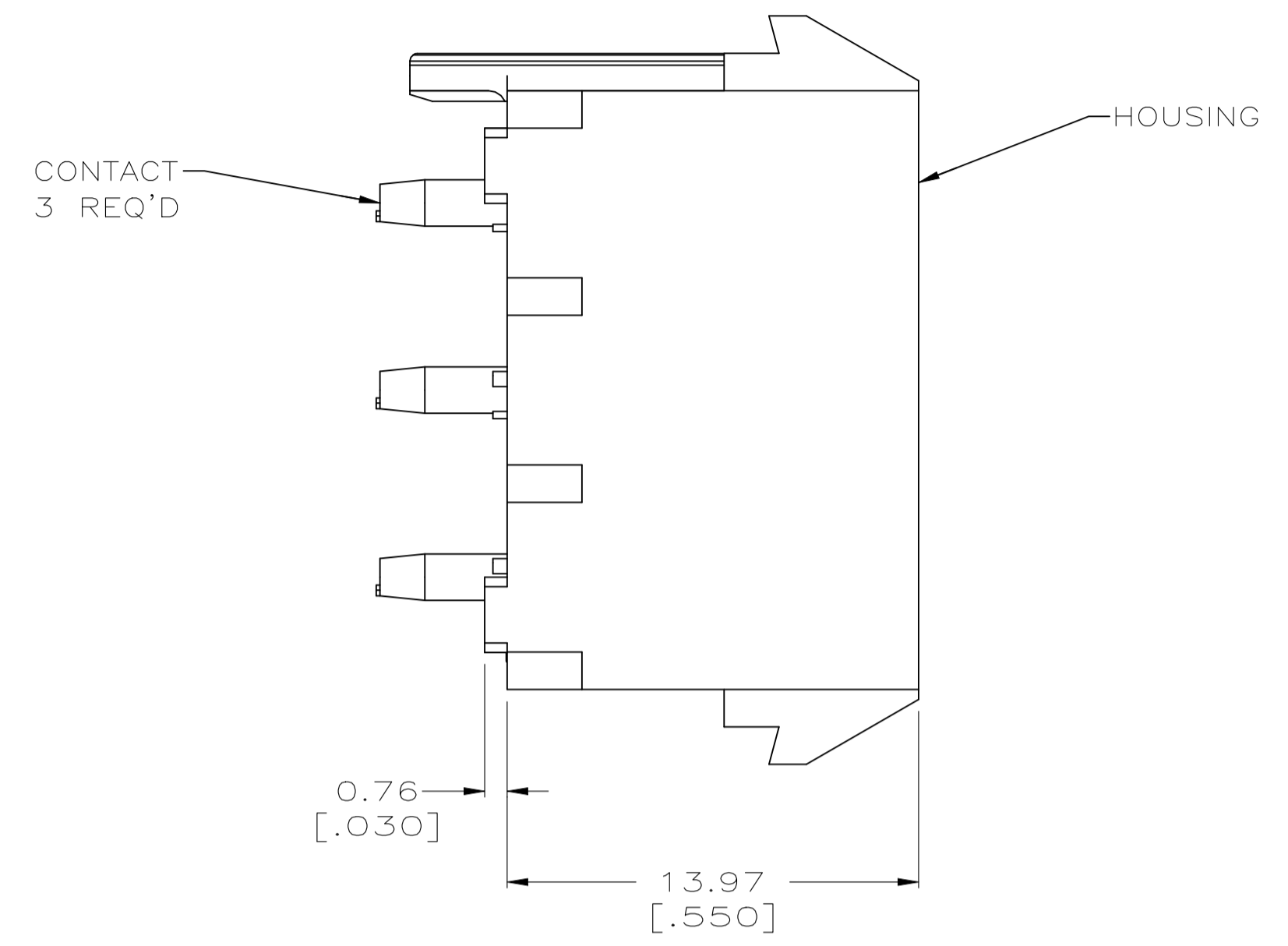
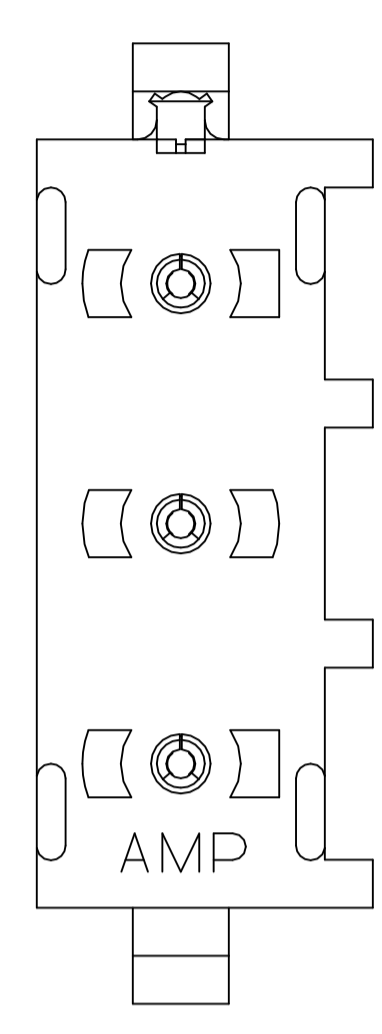
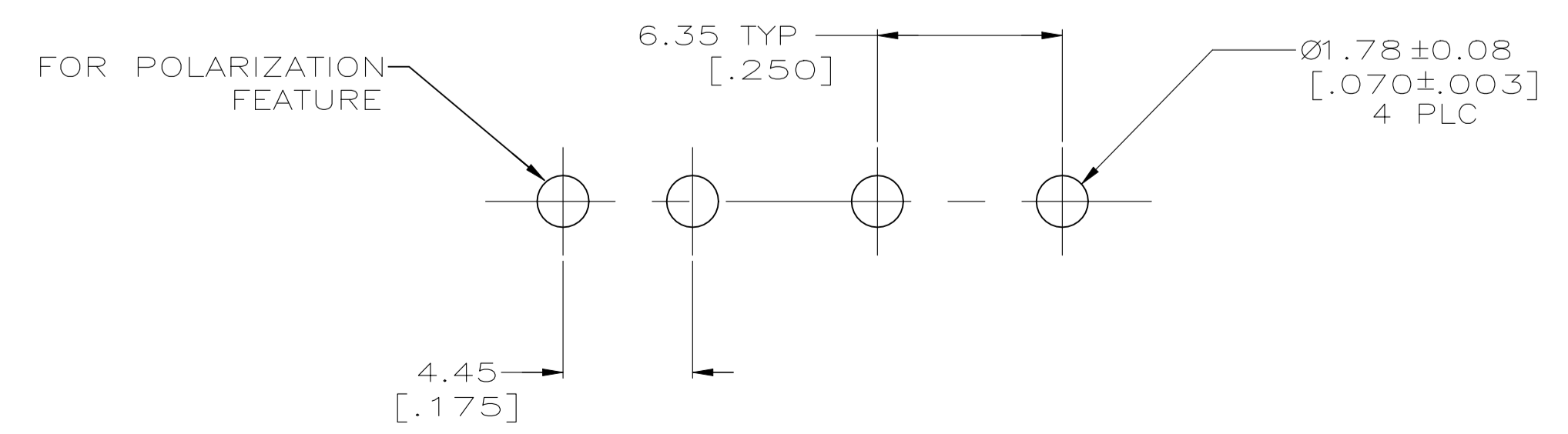
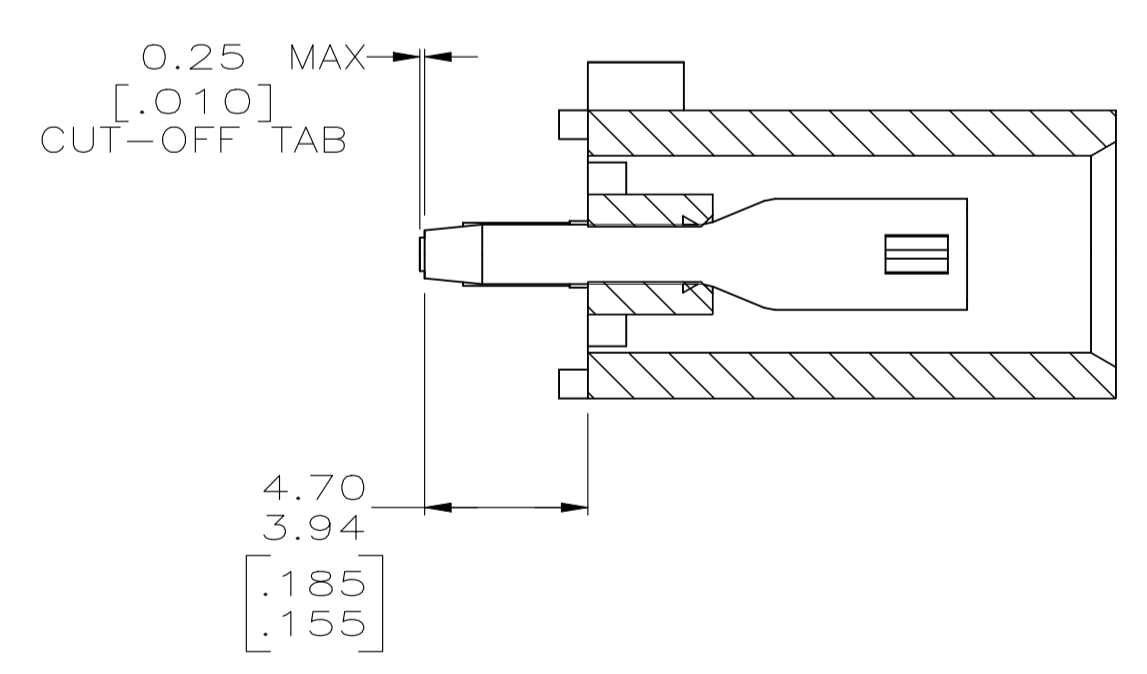


REVISIONS					
REV	DATE	DESCRIPTION	BY	CHK	APP'D
H1	03AUG2022	REVISED PER ECR-21-117154	SKR	VS	

- PARTS COMPLY TO AMP SOLDERABILITY SPECIFICATION 109-11-3.
- △ CIRCUIT IDENTIFICATION CHARACTERS ARE ADJACENT TO THE INDICATED CAVITIES, BUT LOCATION AND ORIENTATION MAY DIFFER FROM PRINT.
- DIMENSIONS IN BRACKETS ARE IN INCHES.
- DIMENSION SHOWN REPRESENT PRODUCT IN DRY CONDITION. ADDITIONAL 2% GROWTH DUE TO END USE LOCATION MOISTURE ABSORPTION MAY OCCUR AND SHOULD BE ACCOUNTED FOR.



3-DIMENSIONAL MODEL NTS



RECOMMENDED MOUNTING HOLE PATTERN FOR 1.57 [.062] THICK P.C. BOARD

PHOSPHOR BRONZE, PRE-TIN	NYLON, UL94V-2,NATURAL	643413-1
PIN CONTACT MATERIAL AND FINISH	HOUSING MATERIAL	PART NO
THIS DRAWING IS A CONTROLLED DOCUMENT.		DIN L McEACHIN 07-JAN-2000
DIMENSIONS: mm [NCHES]		CHK K COBLE 07-JUN-2000
TOLERANCES UNLESS OTHERWISE SPECIFIED:		APP'D K COBLE 07-JUN-2000
0 PLC ± -	1 PLC ± -	NAME
2 PLC ± 0.13 [.005]	3 PLC ± -	PRODUCT SPEC
4 PLC ± -	ANGLES ± 0° 30'	APPLICATION SPEC
MATERIAL SEE TABLE	FINISH SEE TABLE	SIZE CAGE CODE DRAWING NO
		WEIGHT 0.000000 A1 00779 C=643413
		CUSTOMER DRAWING
		RESTRICTED TO
		SCALE 5:1 SHEET 1 OF 1 REV H1

