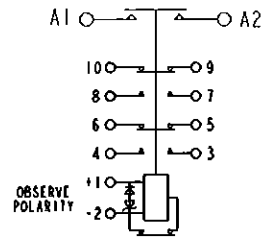
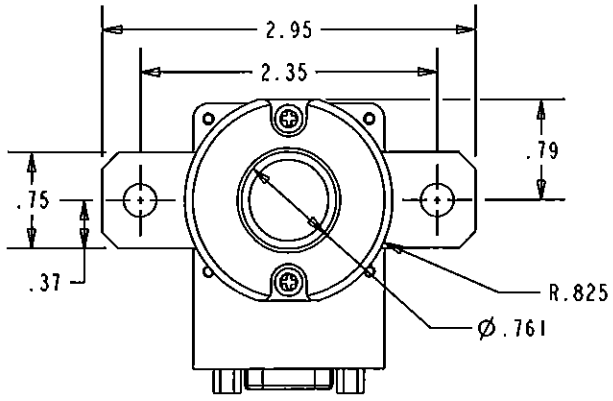


REVISIONS		RELEASED	APPROVED
REV.	DESCRIPTION	DATE	
A	RELEASED TO PRODUCTION	13-01-16	ADW



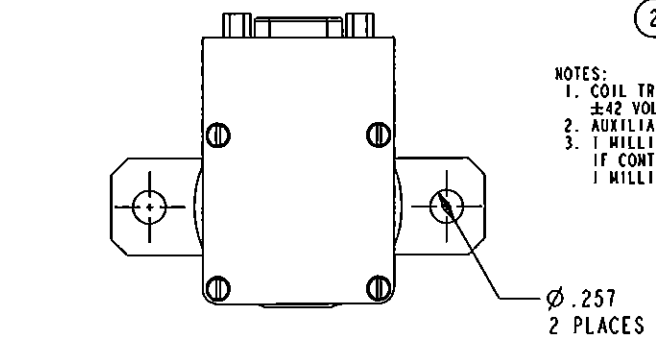
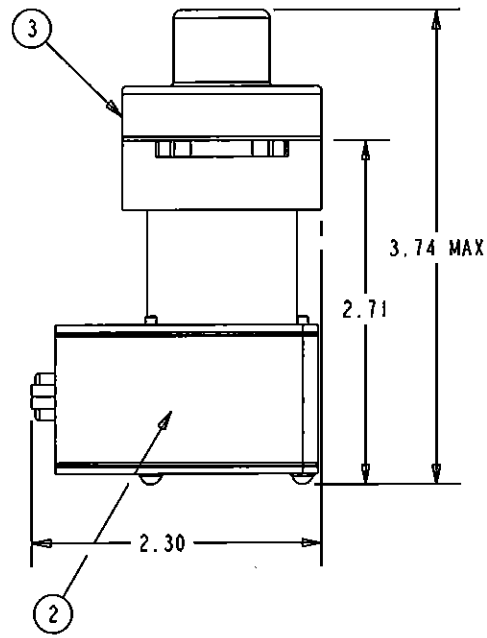
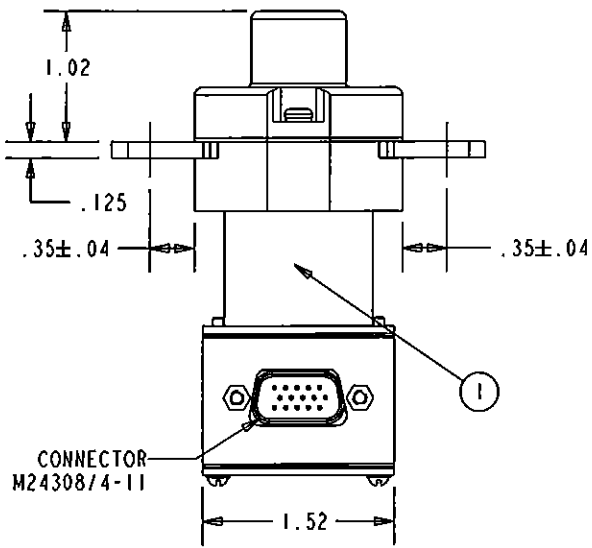
CONSTRUCTION
MAIN CONTACTS
 CONFIGURATION SPST N.O. (DOUBLE BREAK)
 VOLTAGE 28 VDC
 CURRENT RESISTIVE 400 AMPS
 OVERLOAD 450 AMPS FOR 5 MIN
 1000 AMPS FOR 10 SEC.
 INRUSH 1500 AMPS
 RUPTURE 4000 AMPS

AUXILIARY CONTACTS
 CONFIGURATION 2 N.O., 2 N.C.
 VOLTAGE 28 VDC
 CURRENT RESISTIVE 5 AMPS
 INDUCTIVE 2 AMPS
 LAMP 1 AMP
 LOW LEVEL 1 mA AT 28 VDC

COIL DATA
 DUTY CYCLE CONTINUOUS (ECONOMIZED)
 MAX OPERATE VOLTAGE 32 VDC
 NOM OPERATE VOLTAGE 28 VDC
 MAX PICKUP VOLTAGE 13 VDC AT 20°C (FIRST APPLICATION)
 16 VDC AT 85°C
 DROPOUT VOLTAGE 9 VDC MAX
 COIL CURRENT INRUSH 8 AMP MAX AT 32 VDC AND -40°C
 HOLD 650 mA MAX AT 32 VDC AND 25°C
 OPERATE TIME 35 mSEC MAX AT 18 TO 32 VDC
 RELEASE TIME 20 mSEC MAX AT 28 VDC
 BOUNCE TIME 5 mSEC MAX AT 18 TO 32 VDC

ENVIRONMENTAL DATA
 TEMPERATURE -55°C TO 85°C
 ALTITUDE 50,000 FEET

LIFE ELECTRICAL 50,000 CYCLES MIN.
LIFE MECHANICAL 100,000 CYCLES MIN.
WEIGHT MAX EST. .61 LBS



NOTES:
 1. COIL TRANSIENT VOLTAGE LIMITED TO ±42 VOLTS REFERENCED TO ZERO VOLTS.
 2. AUXILIARY CONTACTS ARE GOLD PLATED.
 3. 1 MILLIAMPERE RATING DOES NOT APPLY IF CONTACTS HAVE SWITCHED LOADS ABOVE 1 MILLIAMPERE.

FIND NO	QTY REQD	PART OR IDENTIFYING NO	NOMENCLATURE OR DESCRIPTION	DRAWING OR SPECIFICATION	FSC# NO	TE PART NO	MATERIAL OR NOTE
3	1	47619-130	PRIMARY ASSEMBLY				9-1616983-1
2	1	44900-018	SCHEMATIC DIAGRAM				4-1616974-7
1	1	44899-036	NAME PLATE				9-1616983-9

UNLESS OTHERWISE SPECIFIED DIMENSIONS ARE IN INCHES TOLERANCES ON		DR BY		RSS 11-06-07		28 Harlan Dr., Dayton, 175 N. Diamond Street Mansfield, Ohio 44902 CONTACTOR - SPST N.O. DB 400 AMP, 28 VDC	
2 PL DEC.	.3 PL DEC.	ANGLES	CHK BY	ADW 13-01-18			
±.06	±.010	± 1°	ENGR	RSS 11-06-07			
			MFG	DWA 13-01-18			
SIZE	CODE IDENT		DRG NO.		K4001B5C2		
A	74063				REF TE PN 8-1616982-7		
SCALE 2:3			SHEET 1 OF 1				