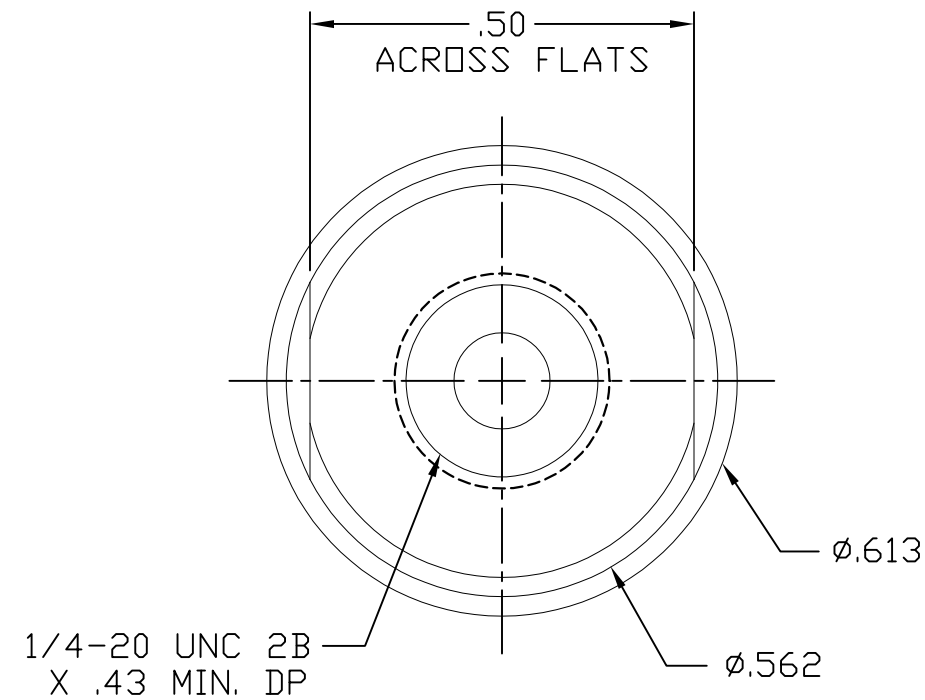
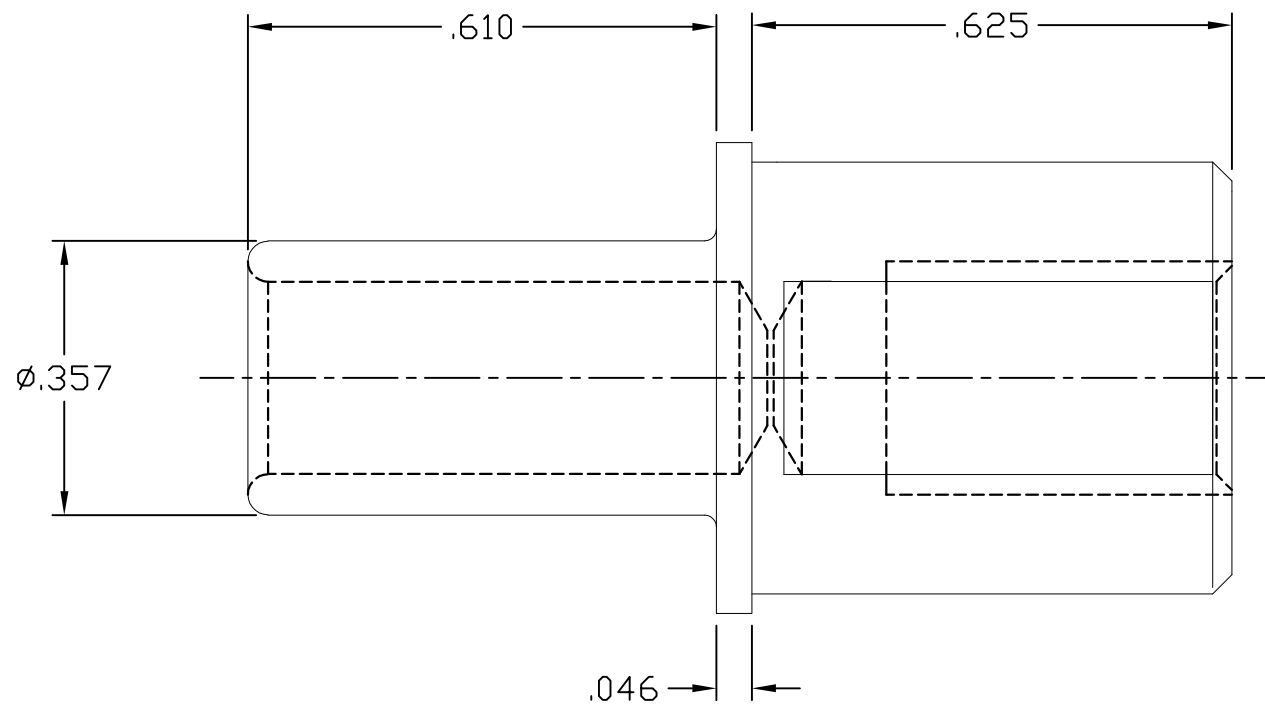


THIS DRAWING IS UNPUBLISHED. RELEASED FOR PUBLICATION
 © COPYRIGHT BY TYCO ELECTRONICS CORPORATION. ALL RIGHTS RESERVED.

LOC	DIST	REVISIONS					
GP	00	P	LTR	DESCRIPTION	DATE	DWN	APVD
			B	REV PER ECO-08-000391	8JAN2008	RG	DO



1. PART NUMBER CHANGES AND OR DESIGN CHANGES AFFECTING ITEM INTERCHANGEABILITY REQUIRE PRIOR TYCO ELECTRONICS APPROVAL AND AUTHORIZATION BY REVISION TO THIS DRAWING.

2. MATERIAL:
PIN CONTACT: COPPER ALLOY.

3. FINISHES:
PIN CONTACT: SILVER PLATE, .000200 MIN THICK
OVER NICKEL, .000050 MIN THICK

AS SHOWN	1766269-1
DESCRIPTION	PART NUMBER

THIS DRAWING IS A CONTROLLED DOCUMENT.		DWN	08JAN2008	Tyco Electronics Corporation	
		CHK	RFA/GRZYBOWSKI	Harrisburg, PA 17105-3608	
		APVD	D.ORRIS	NAME	
		APVD	8JAN2008	CONTACT, PIN, SIZE No. 0	
		PRODUCT SPEC	CHAU/FLICKINGER	1/4-20 INT.TH.D., DOUBLE CROWN DRAWERS	
		APPLICATION SPEC		SIZE	RESTRICTED TO
		WEIGHT		A3	
		CUSTOMER DRAWING		CAGE CODE	DRAWING NO
				00779	1766269
				SCALE	SHEET
				4:1	1 OF 1
				REV	B