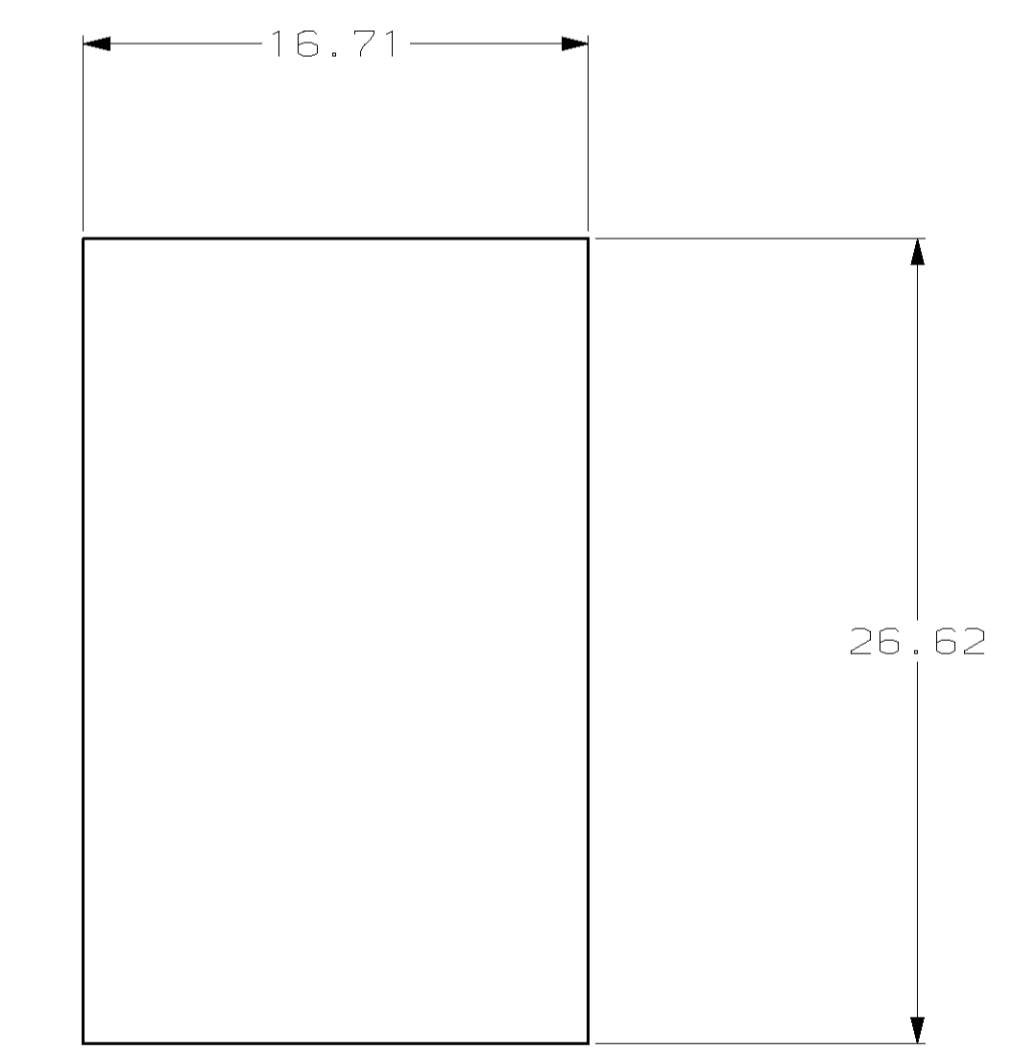
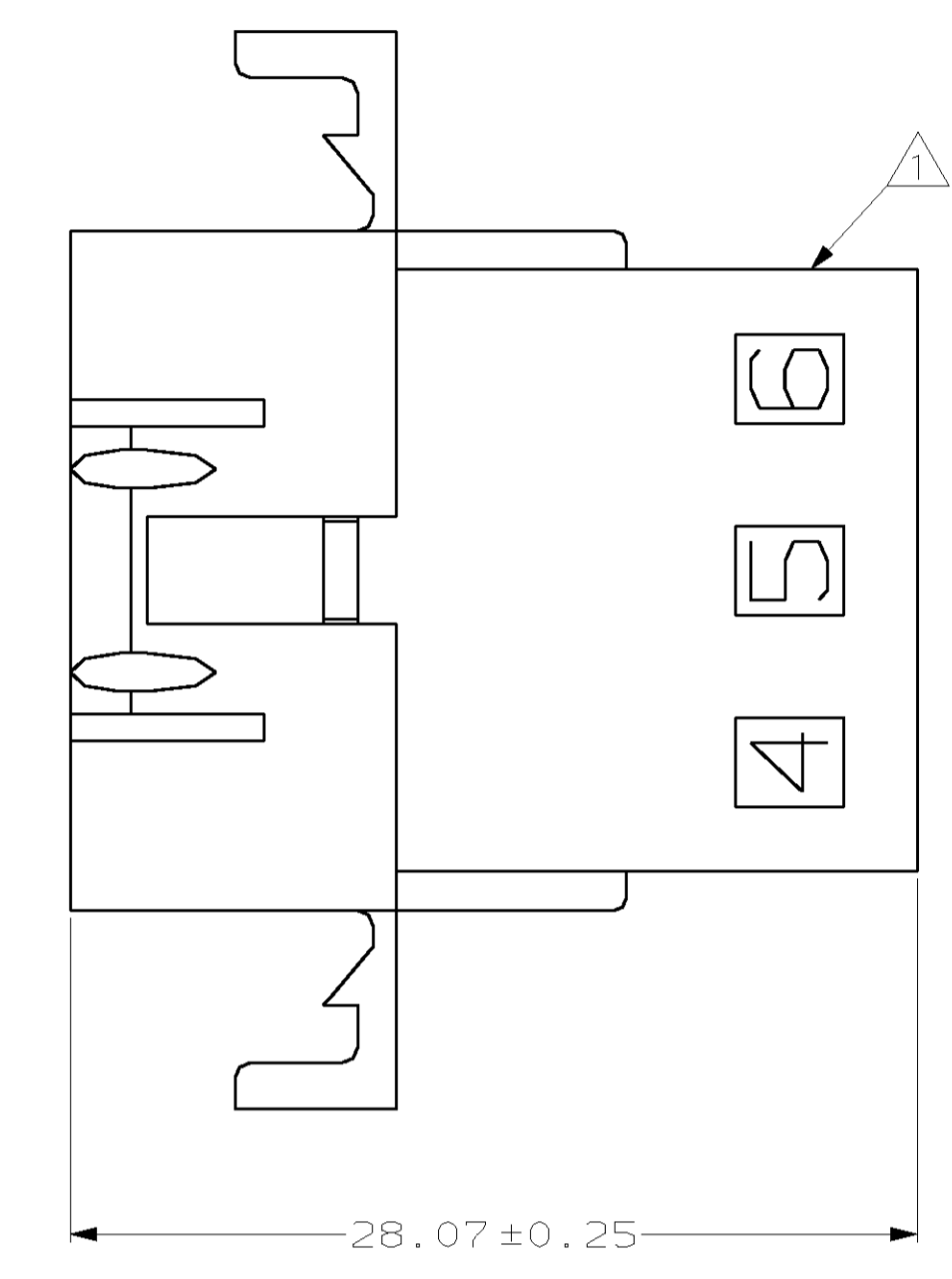
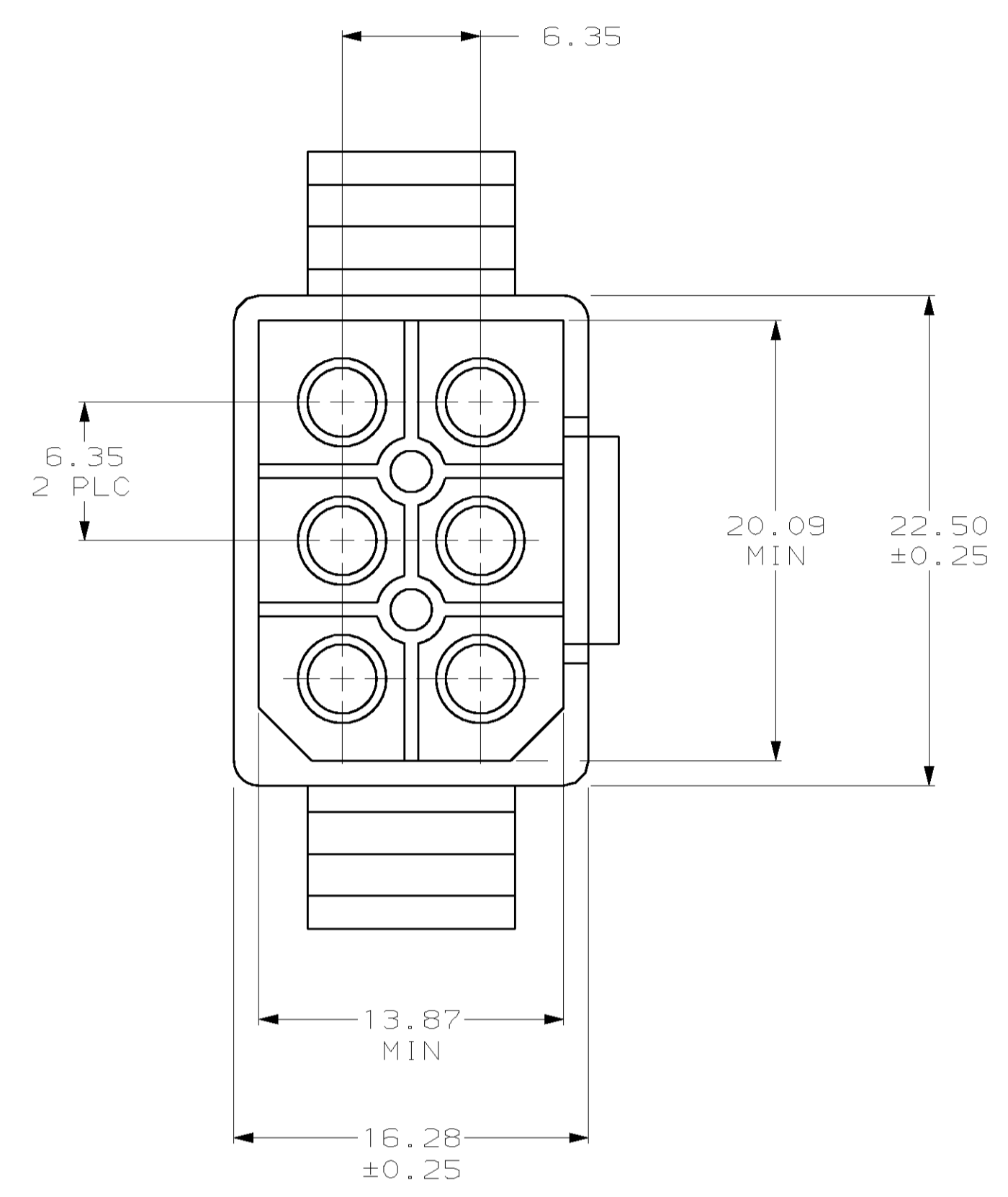
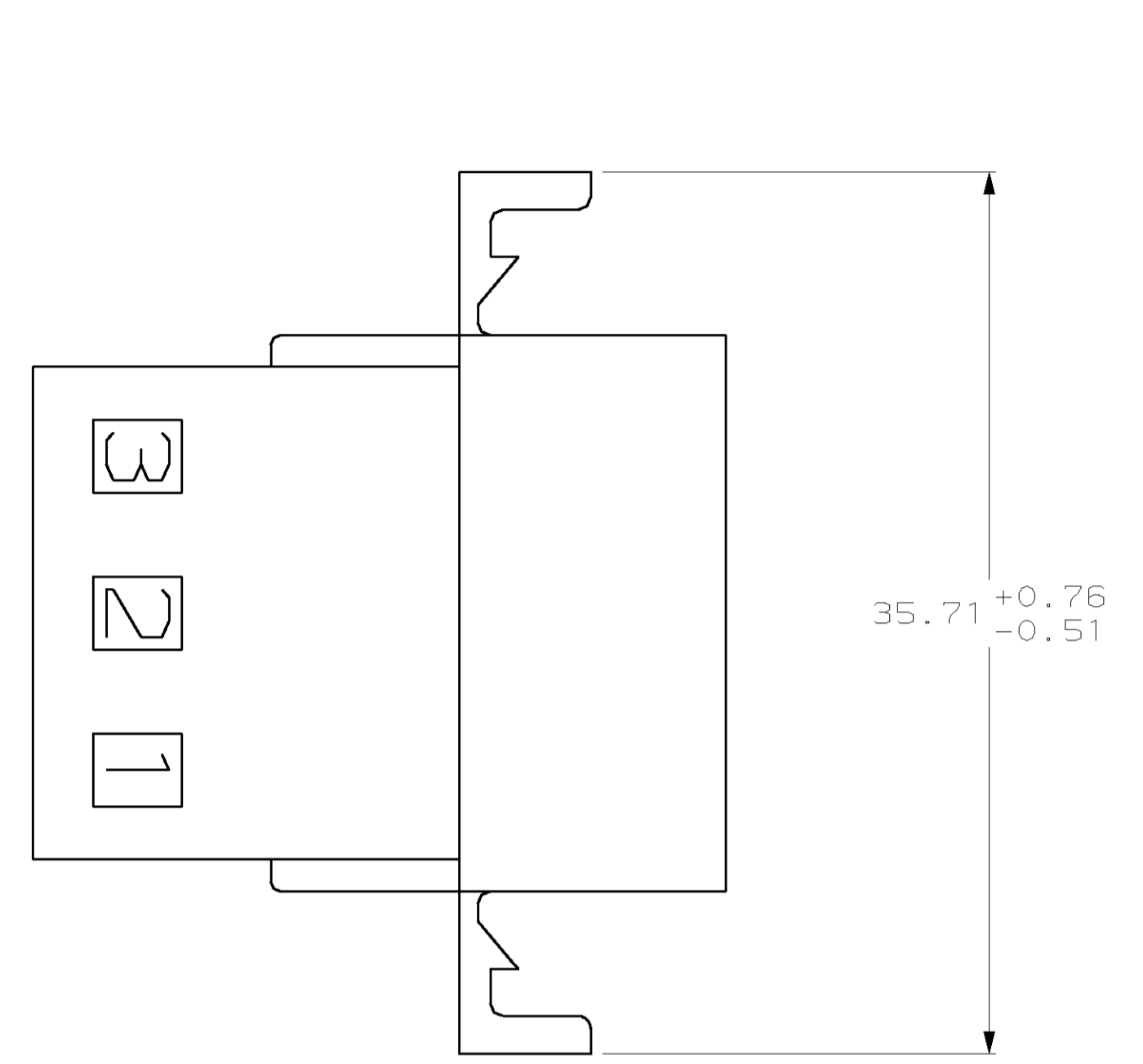
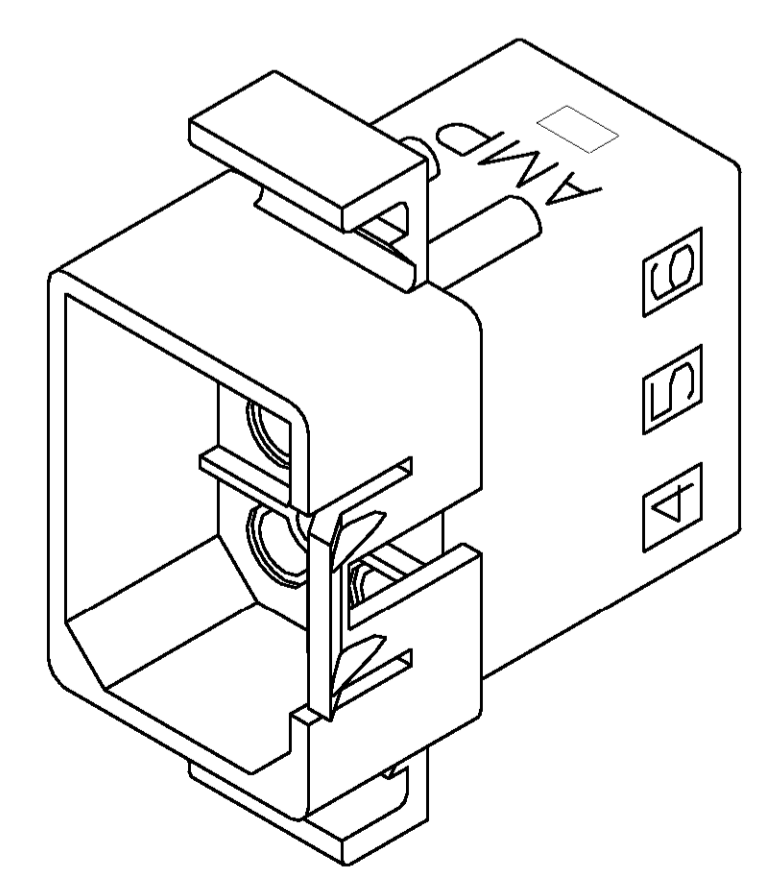


LOC	DIST	REVISIONS			
F	CHR	DESCRIPTION	DATE	OWN	APVD
CM	53	G	REVISED PER EC 063B-0052-00	17-APR-00	KW SR

△ AMP LOGO AND CAVITY NUMBER LOCATED THIS SURFACE.



RECOMMENDED CUT OUT FOR 1.57 MAX THICK PANEL



3-DIMENSIONAL MODEL NTS

MM	IN	MM	IN
13.87	.546	35.71	1.406
6.35	.250	28.07	1.105
1.57	.062	26.62	1.048
0.76	.030	22.50	.886
0.51	.020	20.09	.791
0.25	.010	16.71	.658
0.13	.005	16.28	.641
MM	IN	MM	IN

CONVERSION TABLE

770373-1  
PART NUMBER



THIS DRAWING IS A CONTROLLED DOCUMENT.

DIMENSIONS:	TOLERANCES UNLESS OTHERWISE SPECIFIED:	DWN: K. WHITAKER 12-12-97	AMP Incorporated Harrisburg, PA 17105-3608
mm	0 PLC ± 1 PLC ± 2 PLC ±0.13 3 PLC ± 4 PLC ± ANGLES ±	CHK: R. SWING 12-12-97	NAME: PLUG, PANEL MOUNT, 6 CIRCUIT, .250 PIN AND SOCKET
	FINISH: -	APVD: K. COBLE 12-12-97	PRODUCT SPEC: -
MATERIAL: NYLON, UL 94V-2, NATURAL	WEIGHT: -	APPLICATION SPEC: -	RESTRICTED TO: -
CUSTOMER DRAWING	SCALE: 4:1	SIZE: A1	CAGE CODE: 770373
	SHEET: 1 OF 1	REV: 6	