



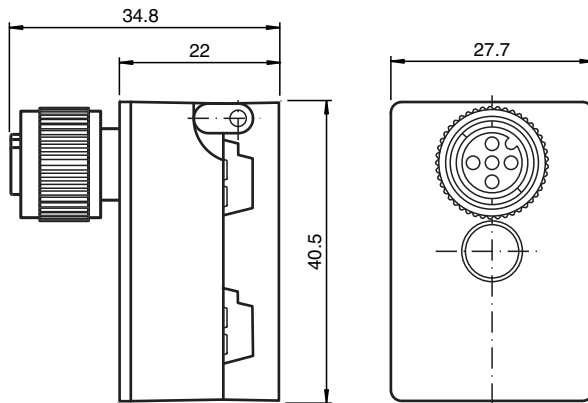
AS-Interface splitter box VAZ-T1-FK-G10-V1

- One piece housing
- Simple and fast mounting
- Gold-plated and machined contacts
- Immunity to vibration
- Degree of protection IP68 / IP69K

Splitter box G10, AS-Interface to M12



Dimensions



Technical Data

General specifications

Construction type	Socket, straight Flat cable terminal AS-Interface	
UL File Number	E223772 "For use in NFPA 79 Applications only"	

Electrical specifications

Rated operating voltage	U_e	≤ 32 V PELV (AS-Interface)
Rated operating current	I_e	≤ 4 A AS-Interface
Protection class	III	
Surge protection	overvoltage category III	

Compliance with standards and directives

Standard conformity		
Degree of protection	EN 60529:2000	

Approvals and certificates

UL approval	cULus Listed, Type 1 enclosure	
Maximum permissible ambient temperature	max. 55 °C (max. 131 °F)	

Ambient conditions

Ambient temperature	-25 ... 75 °C (-13 ... 167 °F)	
Storage temperature	-25 ... 85 °C (-13 ... 185 °F)	

Release date: 2021-09-17 Date of issue: 2021-09-17 Filename: 216027_eng.pdf

Refer to "General Notes Relating to Pepperl+Fuchs Product Information".

Pepperl+Fuchs Group
www.pepperl-fuchs.com

USA: +1 330 486 0001
fa-info@us.pepperl-fuchs.com

Germany: +49 621 776 1111
fa-info@de.pepperl-fuchs.com

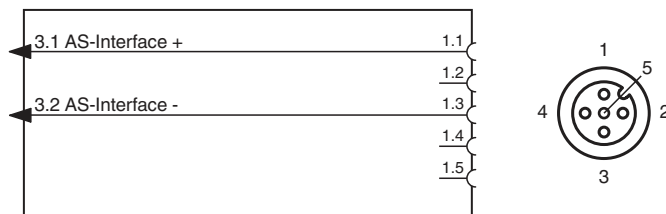
Singapore: +65 6779 9091
fa-info@sg.pepperl-fuchs.com

PF PEPPERL+FUCHS

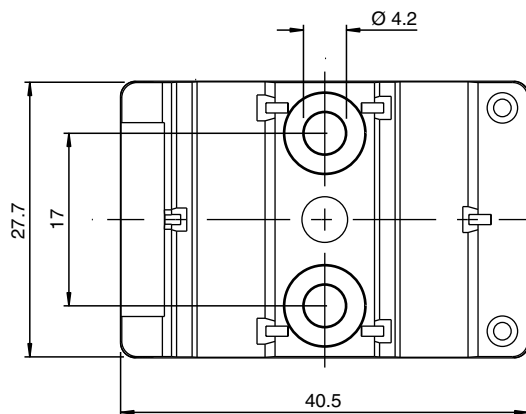
Technical Data

Pollution degree	3
Mechanical specifications	
Degree of protection	IP67 IP67 / IP68 / IP69K with flat cable VAZ-FK-S-*
Connection	Flat cable AS-Interface: cable piercing method Plug connection: M12 x 1 socket (V1)
Material	
Contacts	CuSn / Au
Housing	PBT PC
Mounting screw	Stainless steel 1.4305 / AISI 303
Mass	45 g
Tightening torque, fastening screws	1.65 Nm
Note	The unused flat cable connector is closed with a seal.

Connection



Mounting



You may screw the device onto a level mounting surface using two M4 attachment screws. The attachment screws are not included.