

Lighting Controls

DATE: _____ LOCATION: _____

TYPE: _____ PROJECT: _____

CATALOG #: _____

LIGHTHAWK® PASSIVE INFRARED WALL SWITCH SENSOR

WALL SWITCH OCCUPANCY SENSORS

FEATURES

- Digital passive infrared (PIR) sensor
- IntelliDAPT® self-adaptive technology; no manual adjustment required
- Single and dual relay models for ON/OFF switching
- Occupancy (auto-on) and Vacancy (manual-ON) operating modes
- 1,000 square-foot, 180° coverage area
- RhinoTuff™ vandal resistant lens
- 120/277VAC, 347VAC and 24VDC models



SPECIFICATIONS

CONSTRUCTION

- Casing - high - Impact injection - molded plastic (UL-94-5V Impact-resistance lens)
- Color-coded leads are 6" (152.4mm) long
- Wrap around galvanized steel mounting strap
- 2.9 oz. (82.21g)
- White; Ivory; Light Almond; Gray; Black
- Dual-element pyrometer and 12-element cylindrical RhinoTuff lens

MOUNTING

- Single-gang NEMA-style switch box (standard switch box)
- Decorator-style wall plate sold separately

ELECTRICAL

- Natural light override range: 10-500 foot-candles
- 120/277VAC; 50/60Hz
- 347VAC; 50/60Hz
- 24VDC (requires power pack-sold separately)
- 120VAC: 800W Incandescent/ Electronic Ballast/ LED Driver; 1,000W Magentic Ballast; 1/8 HP Motor
- 277VAC: 1,800W Magnetic Ballast/ Electronic Ballast/ LED Driver; 1/8 HP Motor

ELECTRICAL (CONTINUED)

- 347VAC: 1,500W Magnetic Ballast/ Electronic Ballast/ LED Driver; 1/8 HP Motor

OPERATIONS

- IntelliDAPT
- Self-adjusting timer
- Self-adjusting passive infrared (PIR) sensitivity
- Automatic false-ON/ false-OFF corrections
- No manual adjustments required
- Coverage
 - 1,000 square-foot, 180° coverage area
- Timer Settings
 - Auto mode: 4-30 minutes; self-adjusts based on occupancy
 - Fixed mode: 4, 8, 15, and 30 minutes
- Timer Settings (Continued)
 - Test mode: 5 seconds

OPERATING ENVIRONMENT

- Indoor use only
- Operating temperature: 32° to 104°F (0° to 40°C)
- Relative humidity (non-condensing): 0% to 95%

CERTIFICATIONS

- Listed UL and cUL
- This product qualifies as "designated country construction material" per FAR 52.225-11 Buy American-Construction Materials under Trade Agreements effective 5/27/2020.

WARRANTY

- 5 year warranty

Lighting Controls

DATE: _____ LOCATION: _____

TYPE: _____ PROJECT: _____

CATALOG #: _____

LIGHTHAWK® PASSIVE INFRARED WALL SWITCH SENSOR

WALL SWITCH OCCUPANCY SENSORS

ORDERING GUIDE

Example: LHRIRS1-G347-WH

CATALOG # _____

| Series | Buttons | Wiring | Color | Mode* | TAA** |
|--|------------|--|---|---|---------------------------------|
| LHRIRS Passive Infrared Technology, Single Relay | 0 0 1 1 | G Ground (120/277V) N Neutral (120/277V) 24V Low Voltage ³ G347 Ground (347V) ⁴ N347 Neutral (347V) ⁴ | WH White ¹ IV Ivory ² LA Light Almond ² GY Gray ² BK Black ² | Blank Switchable Vacancy or Occupancy Mode M Vacancy Mode Only | Blank Standard Product T TAA |

Example: LHRDCIRD2-N-WH

CATALOG # _____

| Series | Buttons | Wiring | Color | Mode* |
|---|---------|---|--|--|
| LHRDCIRD Passive Infrared Technology, Dual Relay (Two Inputs / Two Outputs) | 2 2 | G Ground (120/277V) N Neutral (120/277V) | WH White ¹ IV Ivory ² GY Gray ² | Blank Switchable Vacancy or Occupancy Mode |

Notes:

- 1 All options available in white (WH)
 - 2 Please consult factory for color options other than white
 - 3 Low voltage sensors require a power pack that is sold separately
 - 4 347V options only available in white (WH)
- * Please see vacancy mode only options table below
 ** Please see Buy American Solutions table below

| *Vacancy Mode Only Options |
|----------------------------|
| LHIRS1-G-WH-M |
| LHRIRS1-N-WH-M |

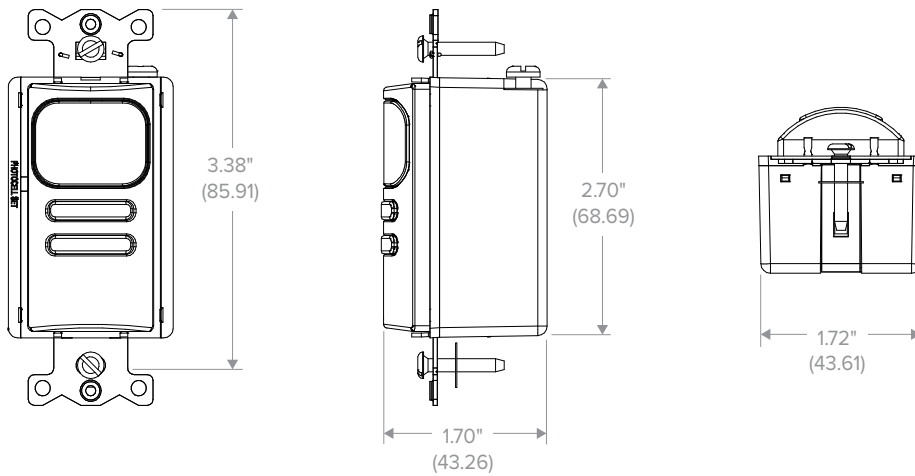
| **Buy American Solutions |
|--------------------------|
| TAA FAR §52.225-11 |
| LHIRS1-G-WH |
| LHIRS1-N-WH |
| LHIRS1-24V-WH |

Lighting Controls

LIGHTHAWK® PASSIVE INFRARED WALL SWITCH SENSOR

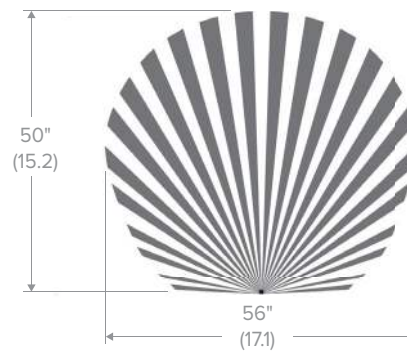
WALL SWITCH OCCUPANCY SENSORS

DIMENSIONS



ADDITIONAL INFORMATION

Coverage Pattern

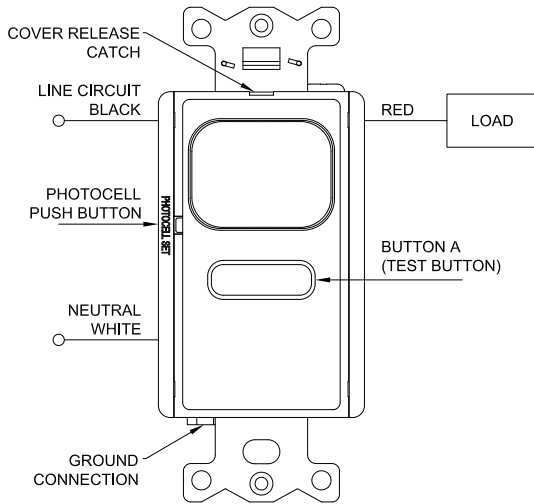


Lighting Controls

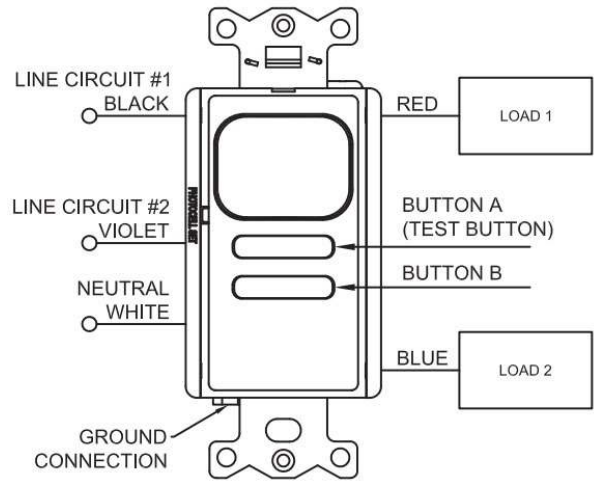
LIGHTHAWK® PASSIVE INFRARED WALL SWITCH SENSOR WALL SWITCH OCCUPANCY SENSORS

ADDITIONAL INFORMATION CONTINUED

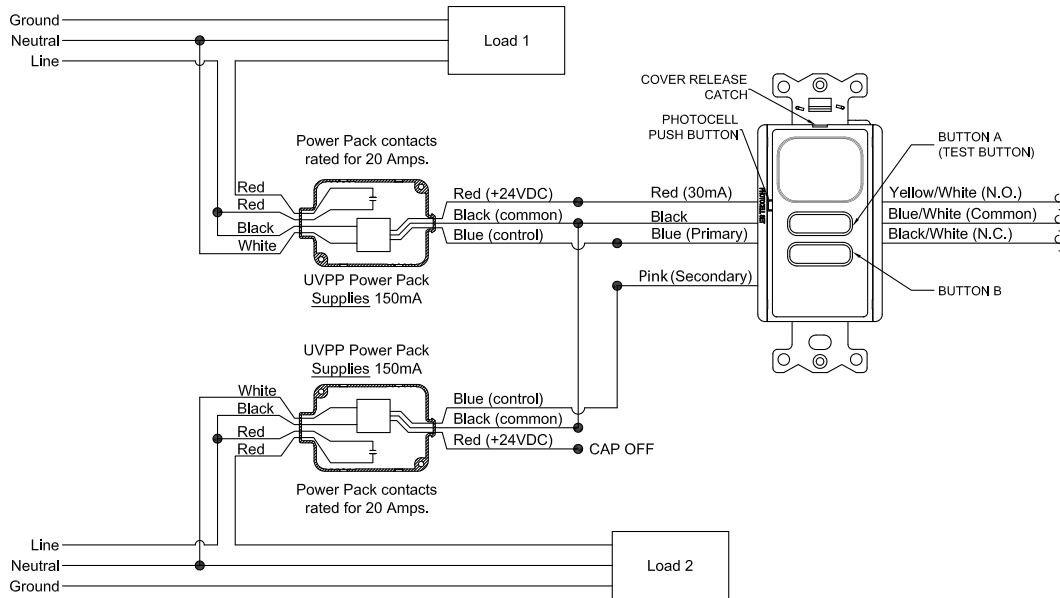
Wiring Diagrams



SINGLE LOAD WIRING



DUAL LOAD WIRING



LOW VOLTAGE DUAL LEVEL CONTROL WITH TWO POWER PACKS

Pink wire replaces previous gray wire. Units with a gray instead of pink wire should be wired as the pink wire shown in the diagram.