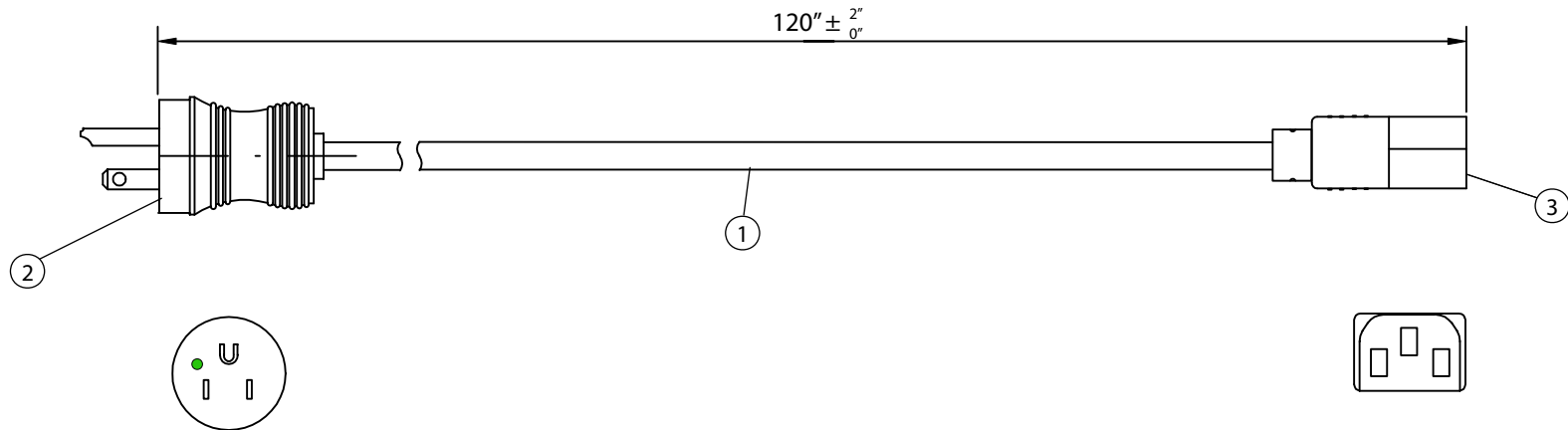


THESE DRAWINGS ARE THE PROPERTY OF QUALTEK ELECTRONICS AND NOT TO BE REPRODUCED FOR OR COMMUNICATED TO A THIRD PARTY WITHOUT THE EXPRESS WRITTEN PERMISSION OF AN OFFICER OF QUALTEK ELECTRONICS.

REVISION			
REV.	DESCRIPTION	DATE	APPROVED



NOTES:

1. CORDAGE: SJT, 16AWG / 3C, UNSHIELDED, NA COLOR CODE, TEMP. RATING 60°C, RATING: 125V, 13A, JACKET COLOR: BLACK
2. PLUG: NEMA 5-15P HOSPITAL GRADE (CLEAR)
3. CONNECTOR: IEC 60320 C13
4. APPROVALS: UL, CSA
5. ROHS COMPLIANT

CONTROLLED

		Qualtek Electronics Corp.		
		PPC DIVISION		
		Part Number: 233057-01		
		Description: POWER CORD HOSPITAL GRADE		
Dim range (mm)	Tolerance +/- (mm)	UNIT: in		
0-1	0.15	Drawn / Date		
1-6	0.20			
6-18	0.30	Checked / Date		
18-50	0.50			
50-120	0.70	Approved / Date		
120-250	0.90			
250-500	1.20	R.Nuti 10-23-07	10-23-07	JJH / 10-23-07