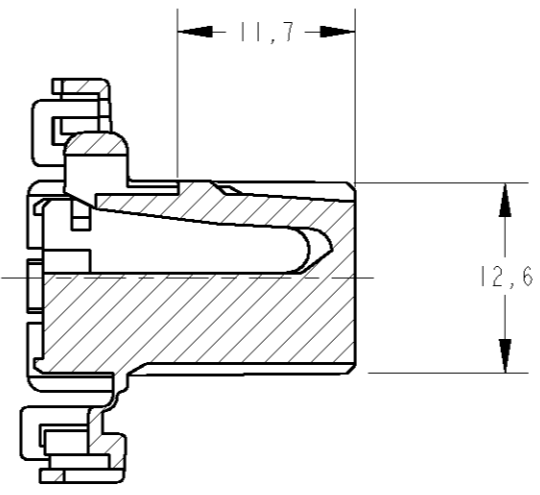
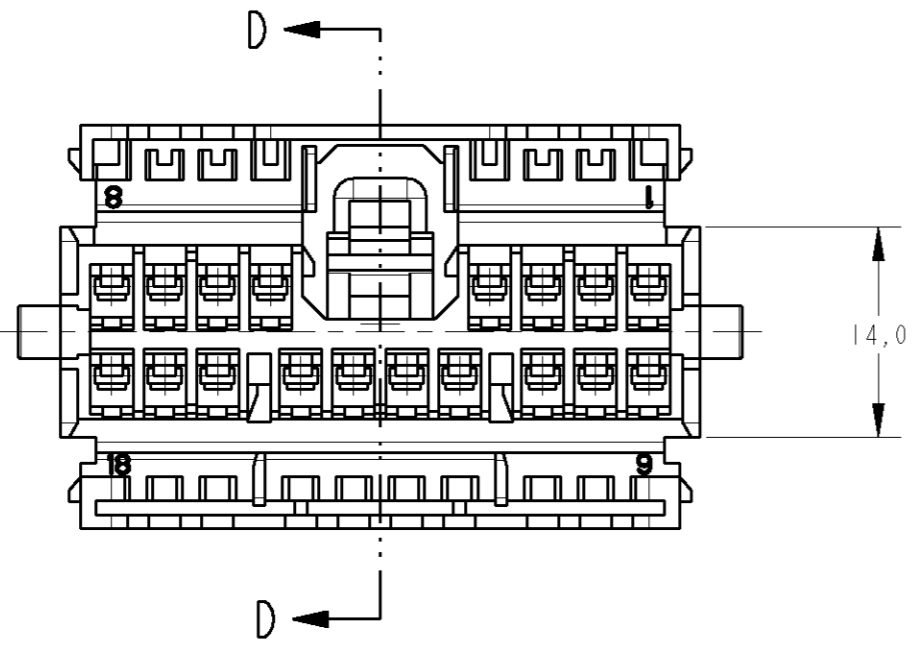


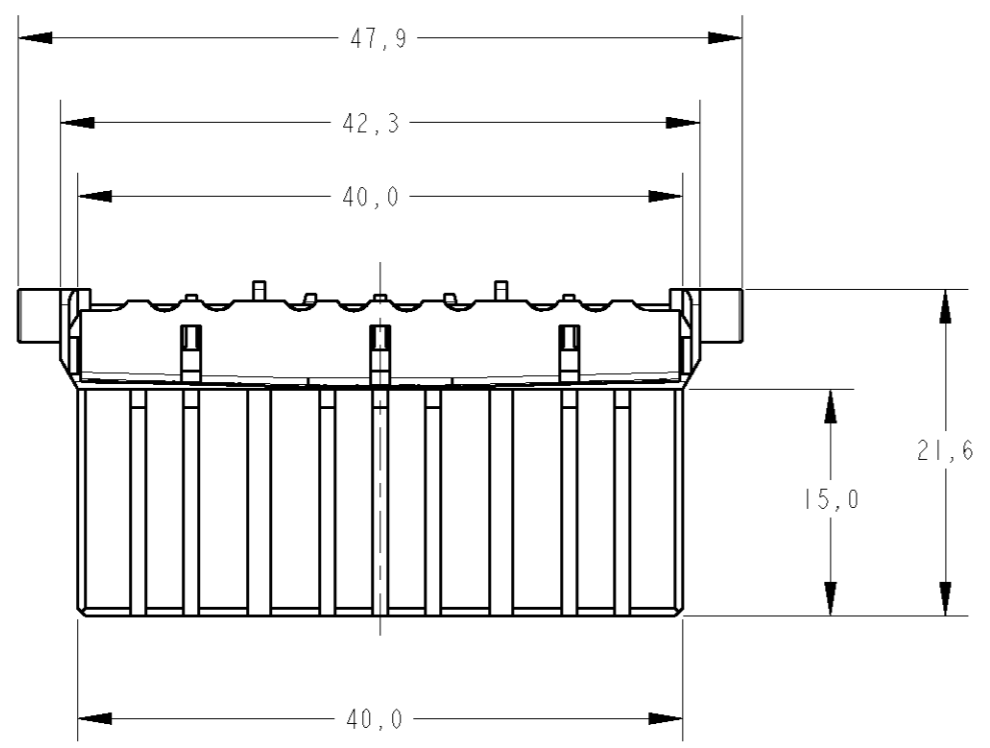
THIS DRAWING IS UNPUBLISHED. RELEASED FOR PUBLICATION 20  
 © COPYRIGHT 20 BY TYCO ELECTRONICS CORPORATION. ALL RIGHTS RESERVED.

LOC	DIST	REVISIONS			
P	LTR	DESCRIPTION	DATE	DWN	APVD
AP	-				
0		RELEASED ECLE10-191/04	28JUN2004	AP	PLF
A		REVISED BY ECLE10-269/04	14SEP2004	AP	PLF
B		REVISED BY EC LE10-0302/04	12NOV2004	MAS	PLF

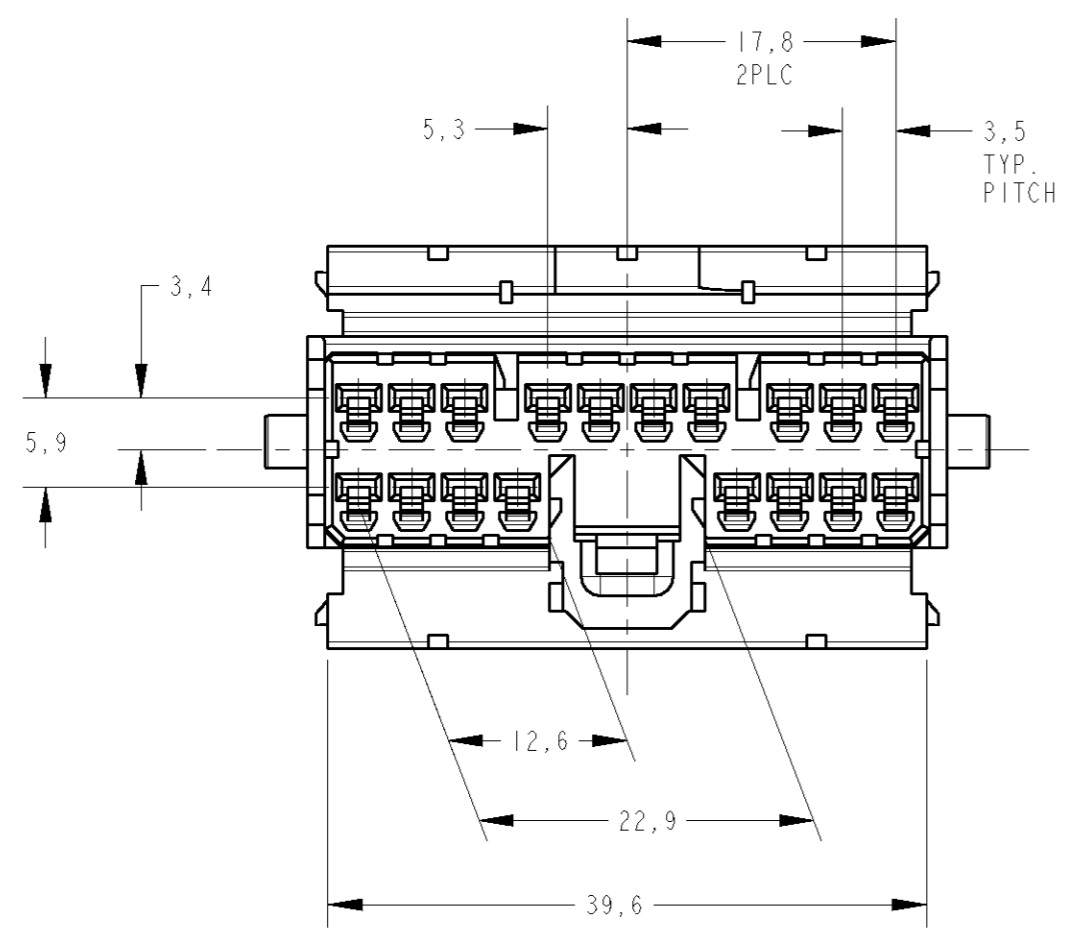


SECTION D-D

GRAVAÇÕES MARKINGS	
LOGOTIPO AMP	AMP LOGO
CÓDIGO PAIS PRODUTOR	MANUFACTURER COUNTRY CODE
NÚMERO CAVIDADE	CAVITY NUMBER
IDENTIFICAÇÃO CIRCUITO	CIRCUIT IDENTIFICATION
COD. DATADOR ANO/MES	DATE CODE YEAR/MONTH



PERSPECTIVE VIEWS SCALE 1:1



- 1 - TERMINAIS UTILIZADOS:  
 WIRE RANGE 0.3 - 0.5mm - PN TYCO 282374-1  
 WIRE RANGE 1.0 - 1.5mm - PN TYCO 282375-1
- 1 - USED CONTACTS:  
 WIRE RANGE 0.3 - 0.5mm - TYCO CODE 282374-1  
 WIRE RANGE 1.0 - 1.5mm - TYCO CODE 282375-1
- 2 - USADO NO: PN TYCO 1599385  
 USED ON:

NATURAL	PBT	1599386-1
FINISH	MATERIAL	PART NUMBER
		TYCO ELECTRONICS do Brasil LTDA. Sao Paulo, Brasil
NAME HOUSING 18 POSN. .070 SERIES MULTILOCK REC.		
SIZE	CAGE CODE	DRAWING NO
A2	00779	1599386
CUSTOMER DRAWING		RESTRICTED TO -/-
SCALE	SHEET	OF
2:1	1	1
REV	B	

<small>THIS DRAWING IS A CONTROLLED DOCUMENT FOR TYCO ELECTRONICS CORPORATION IT IS SUBJECT TO CHANGE AND THE CONTROLLING ENGINEERING ORGANIZATION SHOULD BE CONTACTED FOR THE LATEST REVISION.</small>	
DIMENSIONS:	TOLERANCES UNLESS OTHERWISE SPECIFIED:
mm	0 PLC ±
	1 PLC ±0,3
	2 PLC ±
	3 PLC ±
	4 PLC ±
	ANGLES ±1
MATERIAL	FINISH
SEE TABLE	SEE TABLE