

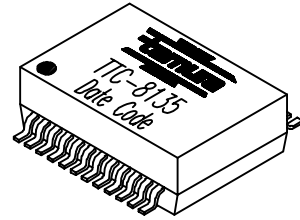
REV. Status
 PRELIMINARY
 10/23/00 LL



Gigabit Ethernet, 1000 Base-T 24 pin SOIC

MODEL NUMBER
TTC-8135

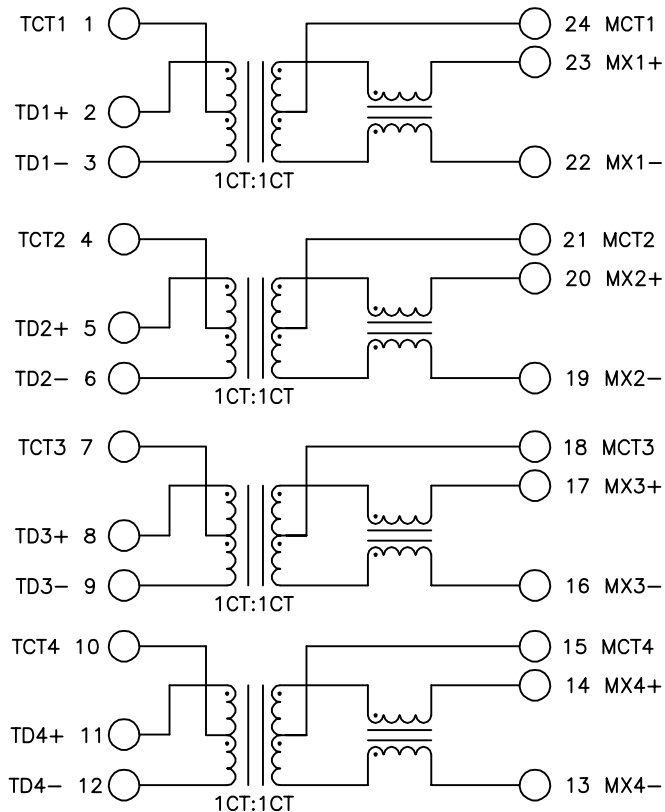
- Supports 4 pairs of Category UTP5 cable
- Complies with IEEE 802.3ab Standard
- Surface Mount Device withstands IR reflow profile process
- Operating temperature: 0°C to 70°C
- Enhanced Common Mode Attenuation



PRELIMINARY

Electrical Specification @ 25°C

Insertion Loss (dB Max)	Return Loss (dB Min)			Differential Mode Rejection Ratio (dB Min)	Common Mode Rejection Ratio (dB Min)	Crosstalk (dB Min)	OCL (μ H Min)	Hipot (Vrms)
	0.1-30 MHz	60-80 MHz	100 MHz					
1-100 MHz	0.1-30 MHz	60-80 MHz	100 MHz	30-100 MHz	30-100 MHz	1-100 MHz	8mA DC Bias	1 minute
-1	-18	-12	-10	-33	-30	-35	350	1500



PREPARED BY:

D. Rund

ENGINEER:

L. Le

QUALITY CONTROL:

D. Kelley

APPROVED:

B. Taylor

DWG CONTROL NO.
 P-A1-12631
 ACAD\TTC\A1126311.DWG

REV
PRE

GIGABIT ETHERNET, 1000 BASE-T
 24 PIN SOIC

TAMURA CORPORATION OF AMERICA
 43352 BUSINESS PARK DRIVE, TEMECULA, CA. 92590-6624
 (909) 699-1270 FAX 9096769482

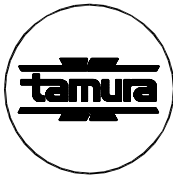
TTC-8135

MODEL SPECIFICATION

DIM: mm(In) SCL: 2/1 SH: 1 OF 2

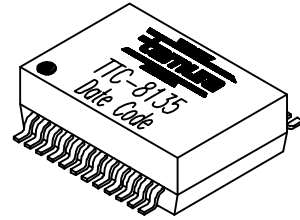
PROPRIETARY NOTICE: THIS DRAWING PRINT OR DOCUMENT AND SUBJECT MATTER DISCLOSED HEREIN ARE PROPRIETARY ITEMS TO WHICH TAMURA RETAINS THE EXCLUSIVE RIGHT OF DISSEMINATION, REPRODUCTION, MANUFACTURE AND SALE. THIS DRAWING, PRINT OR DOCUMENT IS SUBMITTED IN CONFIDENCE FOR CONSIDERATION BY THE RECIPIENT ALONE UNLESS PERMISSION FOR FURTHER DISCLOSURE IS EXPRESSLY GRANTED IN WRITING.

REV. Status
 PRELIMINARY
 10/23/00 LL

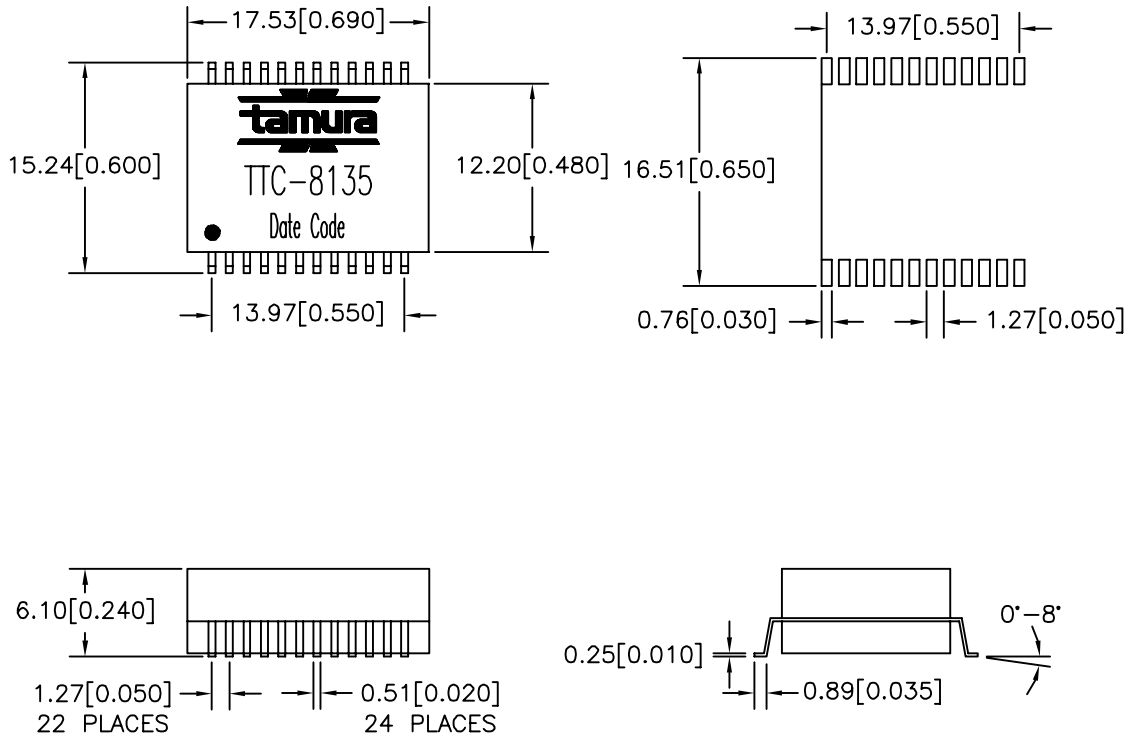


Gigabit Ethernet, 1000 Base-T 24 pin SOIC

MODEL NUMBER
TTC-8135



PRELIMINARY



PREPARED BY:

D. Rund

ENGINEER:

L. Le

QUALITY CONTROL:

D. Kelley

APPROVED:

B. Taylor

NOTE: Unless otherwise specified, all dimensions are mm[in] with tolerance of ±0.25[0.010]

DWG CONTROL NO. P-A1-12631 ACAD\TTC\A1126311.DWG	REV PRE	GIGABIT ETHERNET, 1000 BASE-T 24 PIN SOIC	TTC-8135	
CONTENTS OF THIS DRAWING ARE SUBJECT TO CHANGE WITHOUT PRIOR NOTICE		TAMURA CORPORATION OF AMERICA 43352 BUSINESS PARK DRIVE, TEMECULA, CA. 92590-6624 (909) 699-1270 FAX 9096769482	MODEL SPECIFICATION	
		DIM: mm(in)	SCL: 2/1	SH: 2 OF 2

PROPRIETARY NOTICE: THIS DRAWING PRINT OR DOCUMENT AND SUBJECT MATTER DISCLOSED HEREIN ARE PROPRIETARY ITEMS TO WHICH TAMURA RETAINS THE EXCLUSIVE RIGHT OF DISSEMINATION, REPRODUCTION, MANUFACTURE AND SALE. THIS DRAWING, PRINT OR DOCUMENT IS SUBMITTED IN CONFIDENCE FOR CONSIDERATION BY THE RECIPIENT ALONE UNLESS PERMISSION FOR FURTHER DISCLOSURE IS EXPRESSLY GRANTED IN WRITING.