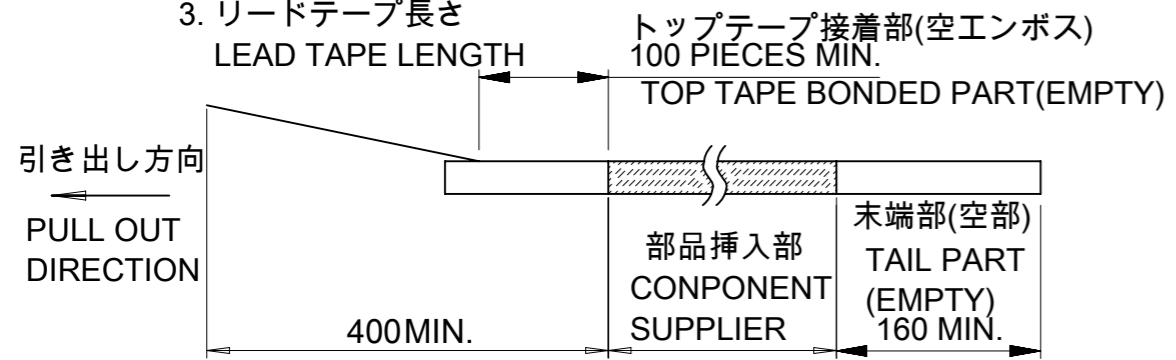


DETAIL E

NOTES

- 製品詳細寸法については、5054951000PSD001を参照下さい。  
PLEASE REFER TO 5054951000PSD001 FOR THE DETAILED DIMENSION OF THE CONNECTOR.
- 梱包数量：900個  
NUMBER OF CONNECTIONS：900 PIECES/REEL.
- リードテープ長さ  
LEAD TAPE LENGTH



4. 材料

キャリアテープ：ポリスチレン(PS)  
 トップテープ：ポリエステル、ポリエチレン、ポリエチレンテレフタレート  
 リール：ポリスチレン  
 MATERIAL  
 CARRIER TAPE：POLYSTYRENE(PS)  
 TOP TAPE：POLYESTER, POLYETHYLENE, POLYETHYLENE TEREPHTHALATE  
 REEL：POLYSTYRENE

5. オーダー番号と色、極数の関係  
 RELATION ORDER NUMBER AND COLOR, CKT.

505495\*\*7\*

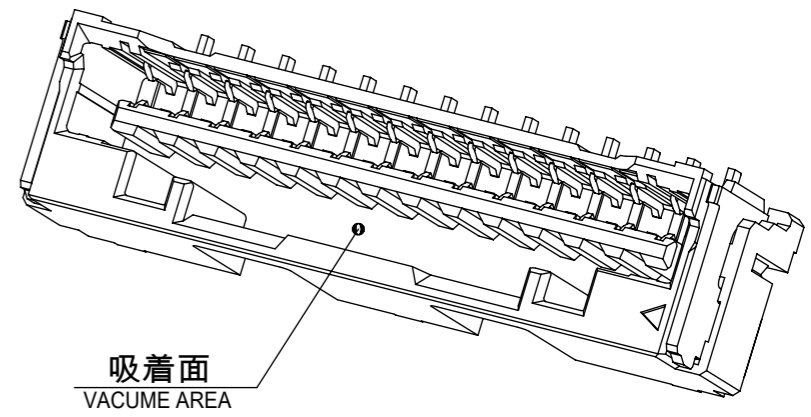
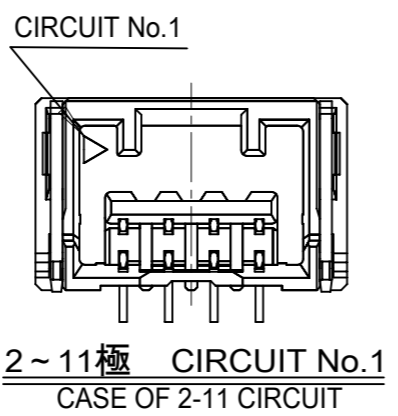
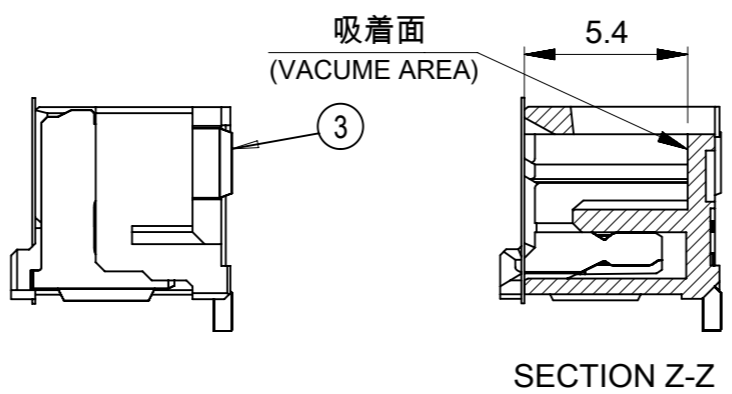
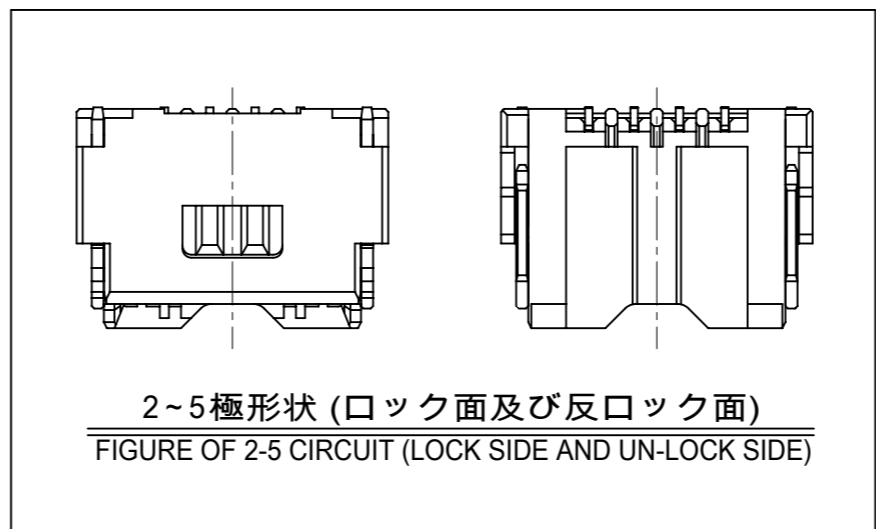
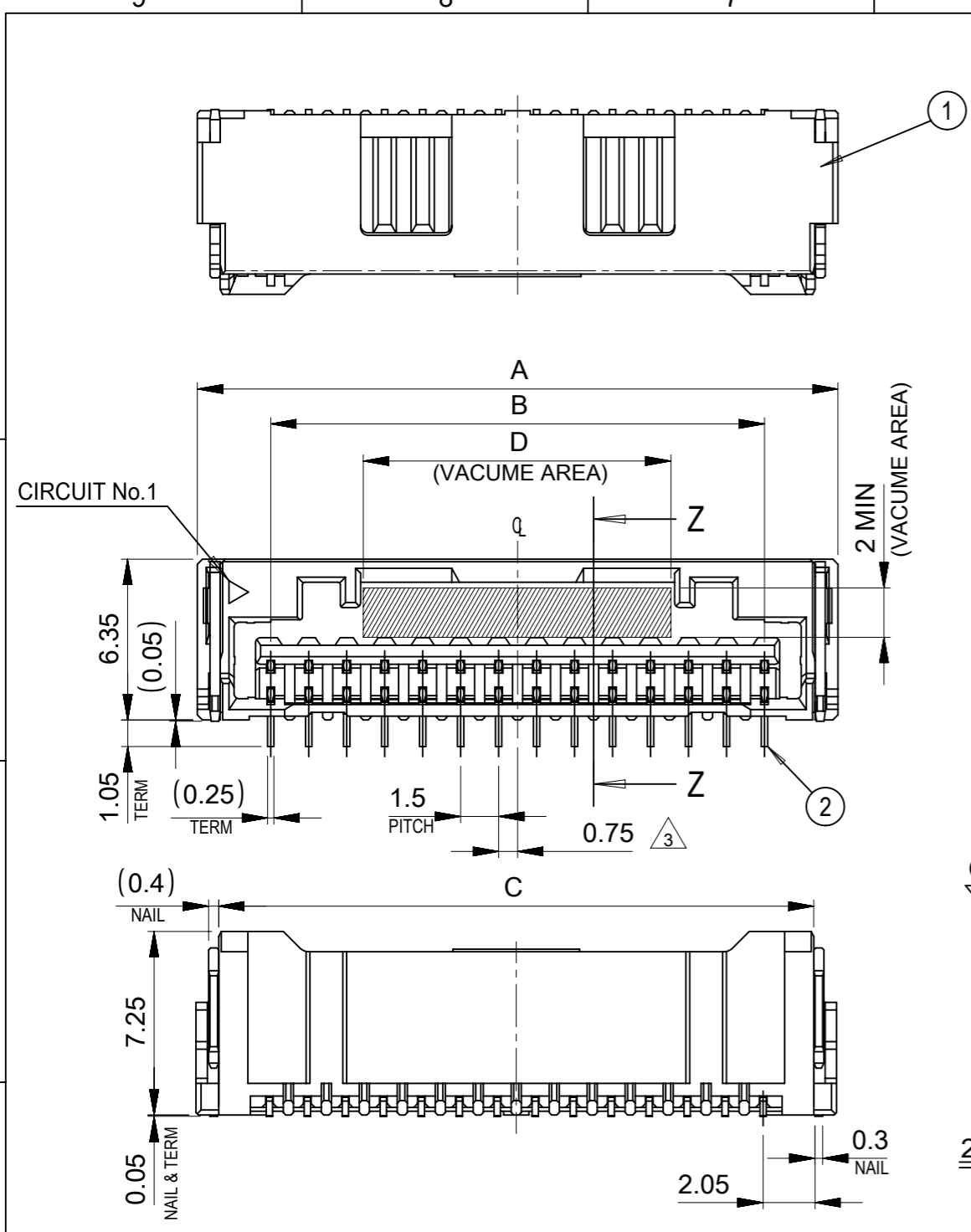
極数	色	No.	COLOR
CIRCUIT SIZE	COLOR	0	ページユ BEIGE

- ELV及びRoHS適合品  
ELV AND RoHS COMPLIANT
- 本製品はシリカゲル乾燥剤入り、防湿梱包仕様である。  
INCLUDING SILICAGEL TAPING PACKAGE.

45.5	20.2	44	505495157*	15
45.5	20.2	44	147*	14
45.5	20.2	44	137*	13
45.5	20.2	44	127*	12
45.5	20.2	44	117*	11
45.5	20.2	44	107*	10
33.5	14.2	32	097*	9
33.5	14.2	32	087*	8
33.5	14.2	32	077*	7
33.5	14.2	32	067*	6
25.5	11.5	24	057*	5
25.5	11.5	24	047*	4
25.5	11.5	24	037*	3
25.5	11.5	24	505495027*	2
C	B	エンボステープ幅 A WIDTH OF TAPE	△5 製品番号 MATERIAL NO.	極数 CKT. NO

THIS DRAWING CONTAINS INFORMATION THAT IS PROPRIETARY TO MOLEX ELECTRONIC TECHNOLOGIES, LLC AND SHOULD NOT BE USED WITHOUT WRITTEN PERMISSION

REDRAWN EC NO: 110246 DRWN: TAKAIKE CHK'D: KOMURAKAMI APPR: TKANEKO	2016/11/14	2016/11/15	2016/11/15	GENERAL TOLERANCES (UNLESS SPECIFIED) ANGULAR TOL ± 1.0 ° 4 PLACES ± 0.2 3 PLACES ± 0.2 2 PLACES ± 0.3 1 PLACE ± 0.3 0 PLACES ± 0.3 DRAFT WHERE APPLICABLE MUST REMAIN WITHIN DIMENSIONS	DIMENSION UNITS	SCALE		
	MM	NTS	DRWN BY		DATE	YUCHIKAWA		2016/11/02
	CHK'D BY	DATE	KOMURAKAMI		2016/11/08			
	APPR BY	DATE	TKANEKO		2016/11/09			
	DRAWING SIZE	THIRD ANGLE PROJECTION	A3					
CLIK-MATE 1.5 W/B SINGLE ROW ST SMT EMBOSSED TAPE PKG			PRODUCT CUSTOMER DRAWING		SERIES	MATERIAL NUMBER	CUSTOMER	
					505495	SEE CHART	GENERAL	
DOCUMENT NUMBER 5054950000			DOC TYPE PSD		DOC PART 001		SHEET NUMBER 1 OF 1	



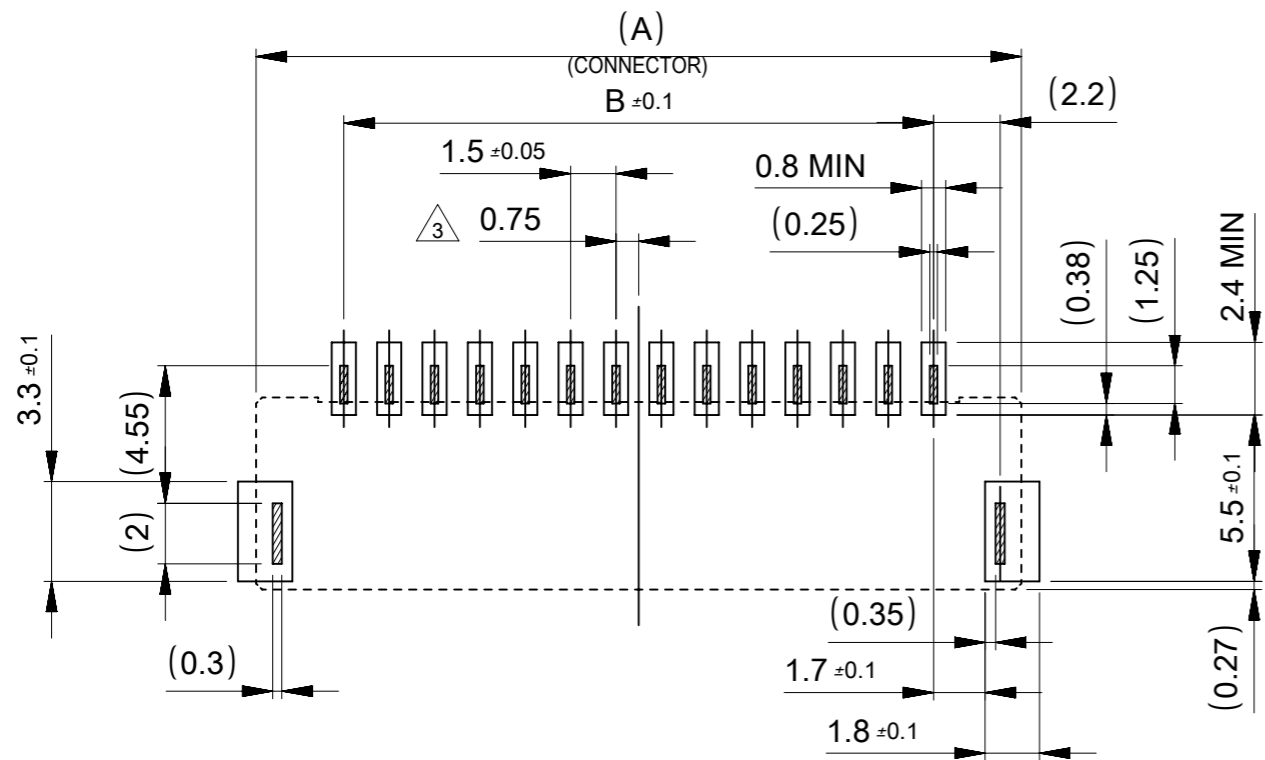
12.1	25	21	26.8	505495157*	15
12.1	23.5	19.5	25.3	505495147*	14
12.1	22	18	23.8	505495137*	13
12.1	20.5	16.5	22.3	505495127*	12
12.1	19	15	20.8	505495117*	11
10.1	17.5	13.5	19.3	505495107*	10
10.1	16	12	17.8	505495097*	9
8.6	14.5	10.5	16.3	505495087*	8
7.1	13	9	14.8	505495077*	7
6.2	11.5	7.5	13.3	505495067*	6
3.2	10	6	11.8	505495057*	5
2.9	8.5	4.5	10.3	505495047*	4
2.15	7	3	8.8	505495037*	3
2	5.5	1.5	7.3	505495027*	2
D	C	B	A	EMBOSSSED TAPE PACKAGE 注文番号 ORDER No.	CIRCUIT No.

No.	部品 PART	材料 MATERIAL
①	ハウジング HOUSING	ポリアミド(PA) UL94V-0 POLYAMIDE(PA) RESIN UL94V-0
②	ターミナル TERMINAL	銅合金 COPPER ALLOY
		コンタクト部 金めっき : 0.2 micro-meter MIN. CONTACT AREA GOLD
		テール部 金めっき : 0.05 micro-meter MIN. TAIL AREA GOLD
③	ネイル NAIL	ニッケルめっき(下地) : 1.0 micro-meter MIN. NICKEL (UNDER PLATING)
		銅合金 COPPER ALLOY
		錫めっき : 1.0 micro-meter MIN. MATTE TIN
		ニッケルめっき(下地) : 1.0 micro-meter MIN. NICKEL (UNDER PLATING)

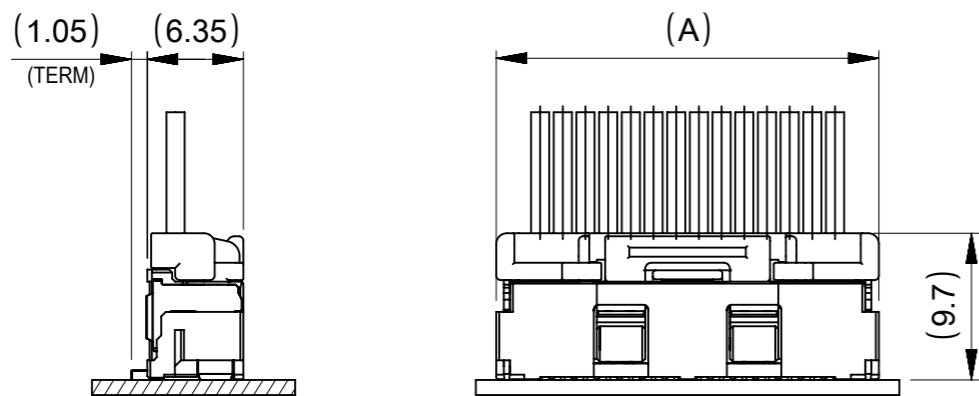
RELEASE STATUS P1 RELEASE DATE 15.11.2016 05:07:38

THIS DRAWING CONTAINS INFORMATION THAT IS PROPRIETARY TO MOLEX ELECTRONIC TECHNOLOGIES, LLC AND SHOULD NOT BE USED WITHOUT WRITTEN PERMISSION

REDRAWN EC NO: 110246 DRWN: TAKAIKE CHK'D: KOMURAKAMI APPR: TKANEKO	2016/11/14	GENERAL TOLERANCES (UNLESS SPECIFIED) ANGULAR TOL ± 3.0 ° 4 PLACES ± 3 PLACES ± 2 PLACES ± 0.2 1 PLACE ± 0.2 0 PLACES ± 0.2 DRAFT WHERE APPLICABLE MUST REMAIN WITHIN DIMENSIONS	DIMENSION UNITS	SCALE	 CLIK-MATE 1.5 W/B SINGLE ROW ST SMT PLUG ASSY PRODUCT CUSTOMER DRAWING			
	2016/11/15		MM	4:1				
	2016/11/15		DRWN BY	DATE		RWATANABE01 2016/11/07		
			CHK'D BY	DATE		KOMURAKAMI 2016/11/08		
			APPR BY	DATE		TKANEKO 2016/11/09		
		DRAWING SIZE	THIRD ANGLE PROJECTION		SERIES	MATERIAL NUMBER	CUSTOMER	
		A3			505495		GENERAL	
					DOCUMENT NUMBER	DOC TYPE	DOC PART	SHEET NUMBER
					5054951000	PSD	001	1 OF 2



基板パターンレイアウト (参考)  
RECOMMENDED P.C.B PATTERN LAYOUT (REF.)



嵌合図  
MATED CONNECTORES  
SCALE 2:1

NOTES

1. 嵌合相手 : 502578シリーズ  
MATE WITH : 502578 SERIES
2. 端子テール部及びネイルの平坦度 : 0.1 MAX.  
TAIL AND NAIL COPLANARITY TO BE 0.1 MAX.
3. 極数 / 2 = 偶数に適用  
APPLY FOR CIRCUIT SIZE / 2 = EVEN
4. 端子テール部及びネイルに錫めっきを使用している為、  
外観に摺動痕が付く場合があります。  
THE WOUND OF FRICTION MIGHT ADHERE TO EXTERNALS  
BECAUSE THE TIN PLATING IS USED FOR THE TAIL AND NAIL.
5. オーダー番号と色、極数の関係  
RELATION ORDER NUMBER AND COLOR, CKT.

505495\*\*7\*

極数 CIRCUIT SIZE	色 COLOR	No.	COLOR
		0	ページユ BEIGE

6. ELV及びRoHS適合品  
ELV AND RoHS COMPLIANT

THIS DRAWING CONTAINS INFORMATION THAT IS PROPRIETARY TO MOLEX ELECTRONIC TECHNOLOGIES, LLC AND SHOULD NOT BE USED WITHOUT WRITTEN PERMISSION

REDRAWN EC NO: 110246 DRWN: TAKAIKE CHK'D: KOMURAKAMI APPR: TKANEKO	2016/11/14	2016/11/15	2016/11/15	GENERAL TOLERANCES (UNLESS SPECIFIED) ANGULAR TOL ± 3.0 ° 4 PLACES ± 3 PLACES ± 2 PLACES ± 0.2 1 PLACE ± 0.2 0 PLACES ± 0.2 DRAFT WHERE APPLICABLE MUST REMAIN WITHIN DIMENSIONS	DIMENSION UNITS MM	SCALE 4:1						
	DRWN BY RWATANABE01	DATE 2016/11/07	CHK'D BY KOMURAKAMI		DATE 2016/11/08	APPR BY TKANEKO					DATE 2016/11/09	CLIK-MATE 1.5 W/B SINGLE ROW ST SMT PLUG ASSY
	PRODUCT CUSTOMER DRAWING						SERIES 505495	MATERIAL NUMBER	CUSTOMER GENERAL			
	DRAFTING SIZE A3						THIRD ANGLE PROJECTION		DOCUMENT NUMBER 5054951000	DOC TYPE PSD	DOC PART 001	SHEET NUMBER 2 OF 2