

4

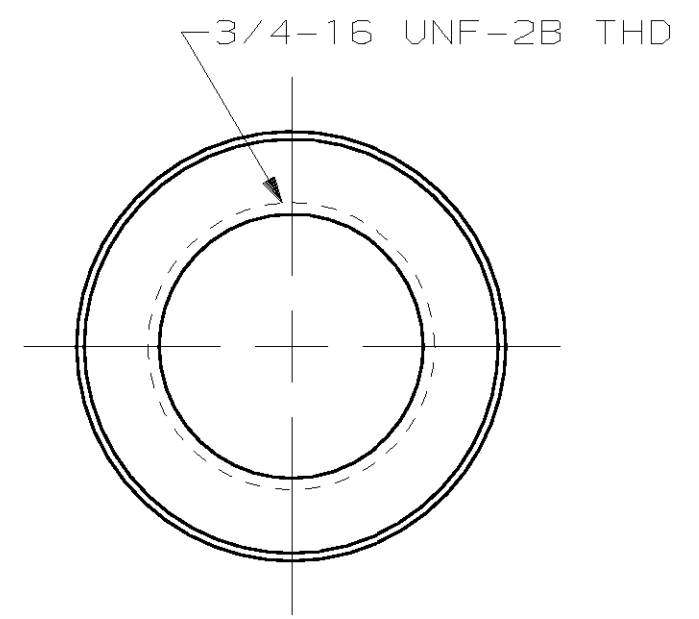
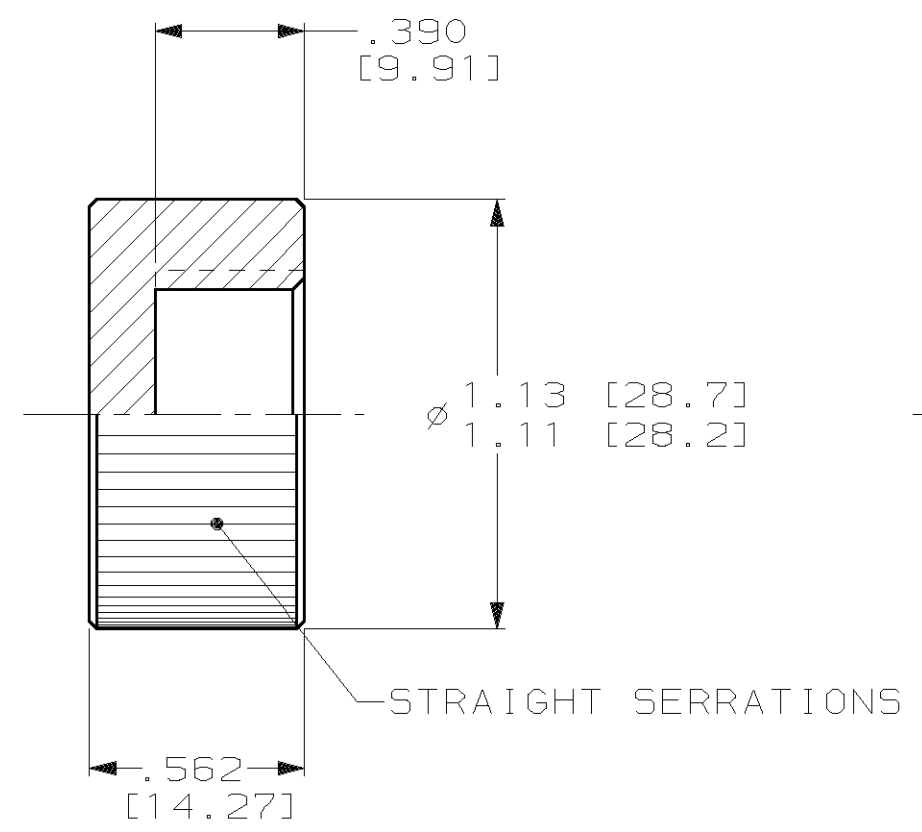
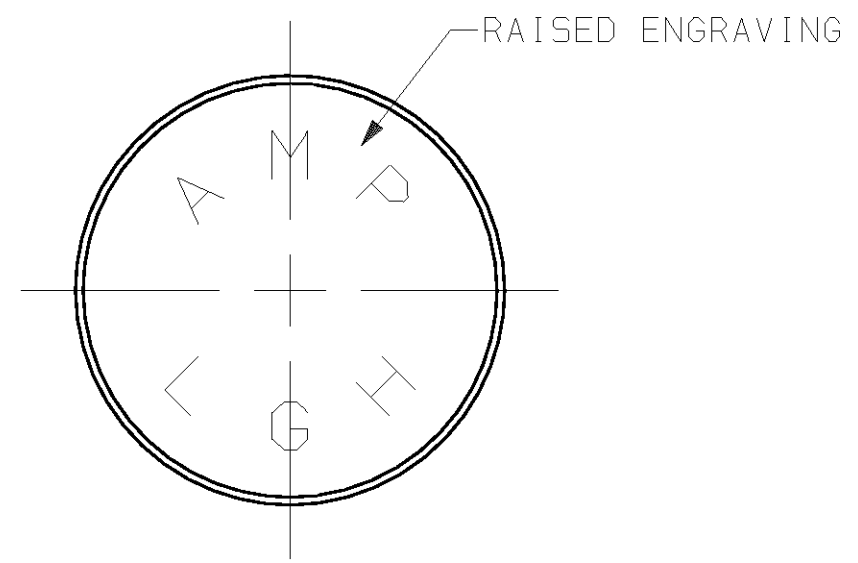
3

2

1

THIS DRAWING IS UNPUBLISHED. RELEASED FOR PUBLICATION, 19 .  
 © COPYRIGHT 19 BY AMP INCORPORATED. ALL RIGHTS RESERVED.

LOC	DIST	REVISIONS			
P	LTR	DESCRIPTION	DATE	DWN	APVD
DF	50	C	REV & REDRAWN; 0600-8185-99	10-99	CT DE



850514-1  
 PART NO.

THIS DRAWING IS A CONTROLLED DOCUMENT.		DWN C.C. THOMAS 10/15/99	AMP Incorporated Harrisburg, PA 17105-3608	
DIMENSIONS: INCHES [mm]		CHK D.EABY 10-19-99		
TOLERANCES UNLESS OTHERWISE SPECIFIED:		APVD D.EABY 10-19-99	NAME LGH-2 & 3 DUST COVER CAP	
0 PLC ±- 1 PLC ±- 2 PLC ±- 3 PLC ±.010 [0.25] 4 PLC ±- ANGLES ±-		PRODUCT SPEC -	SIZE A3	
MATERIAL MOLDED GLASS EPOXY		APPLICATION SPEC -	CAGE CODE 00779	DRAWING NO C-850514
COLOR GREEN		WEIGHT -	RESTRICTED TO -	
CUSTOMER DRAWING			SCALE 2:1	SHEET 1 OF 1
			REV C	