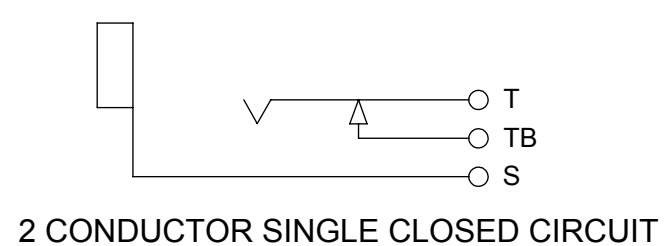
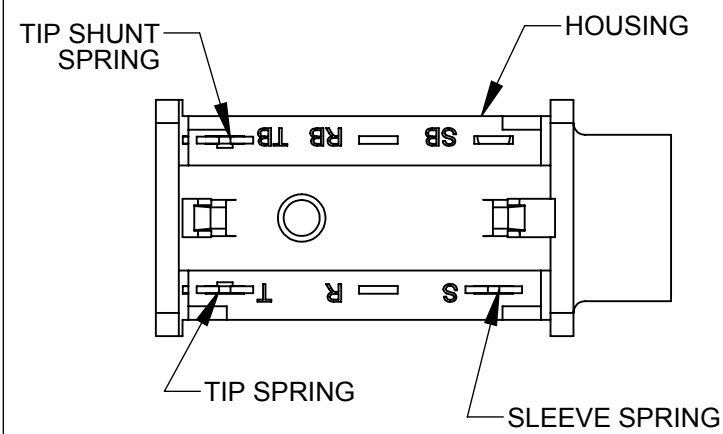
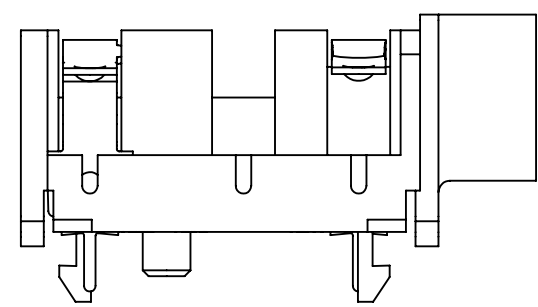
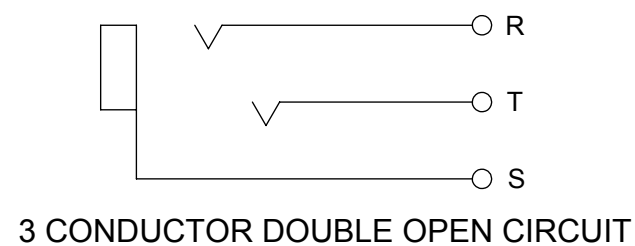
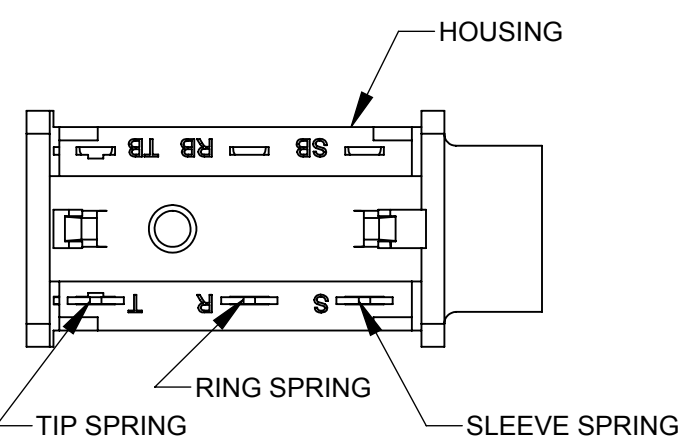
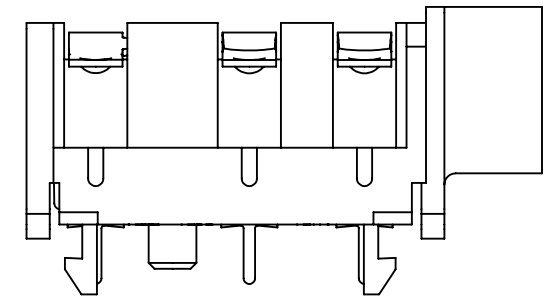


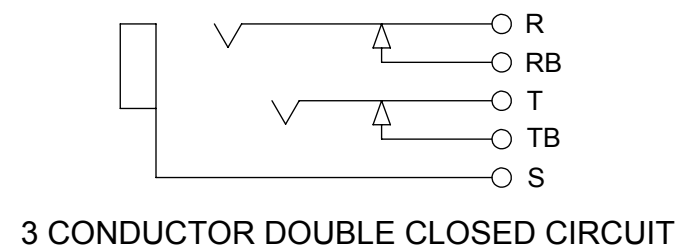
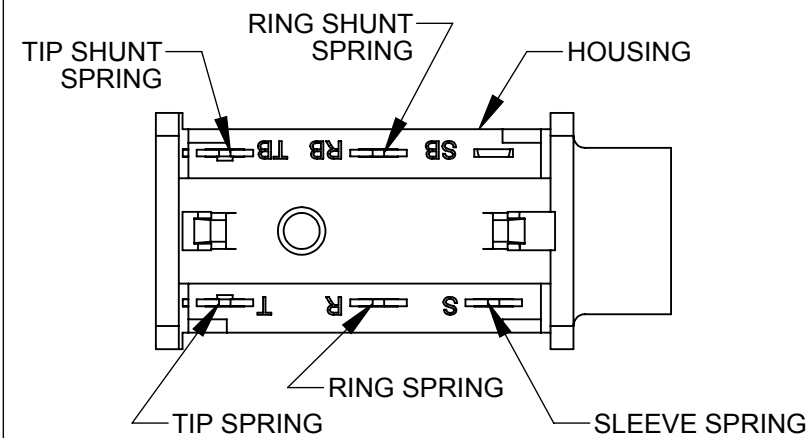
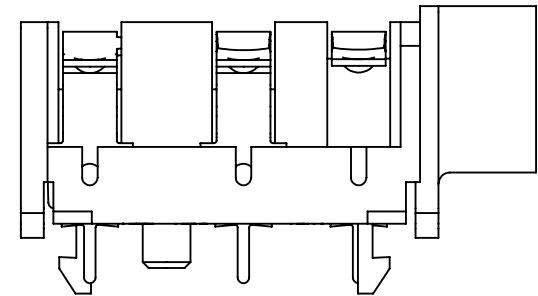
**SN37A11**



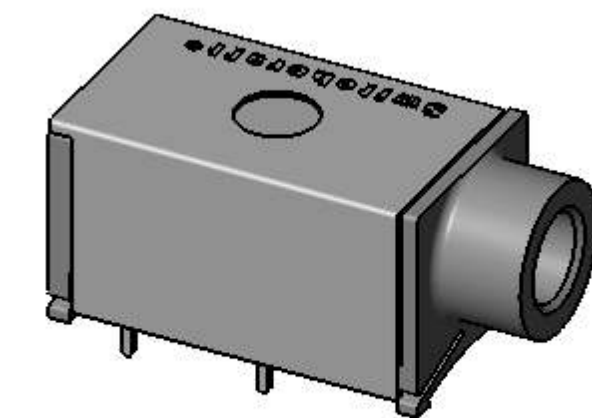
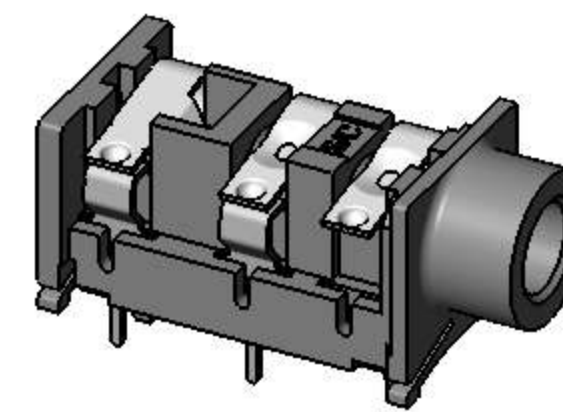
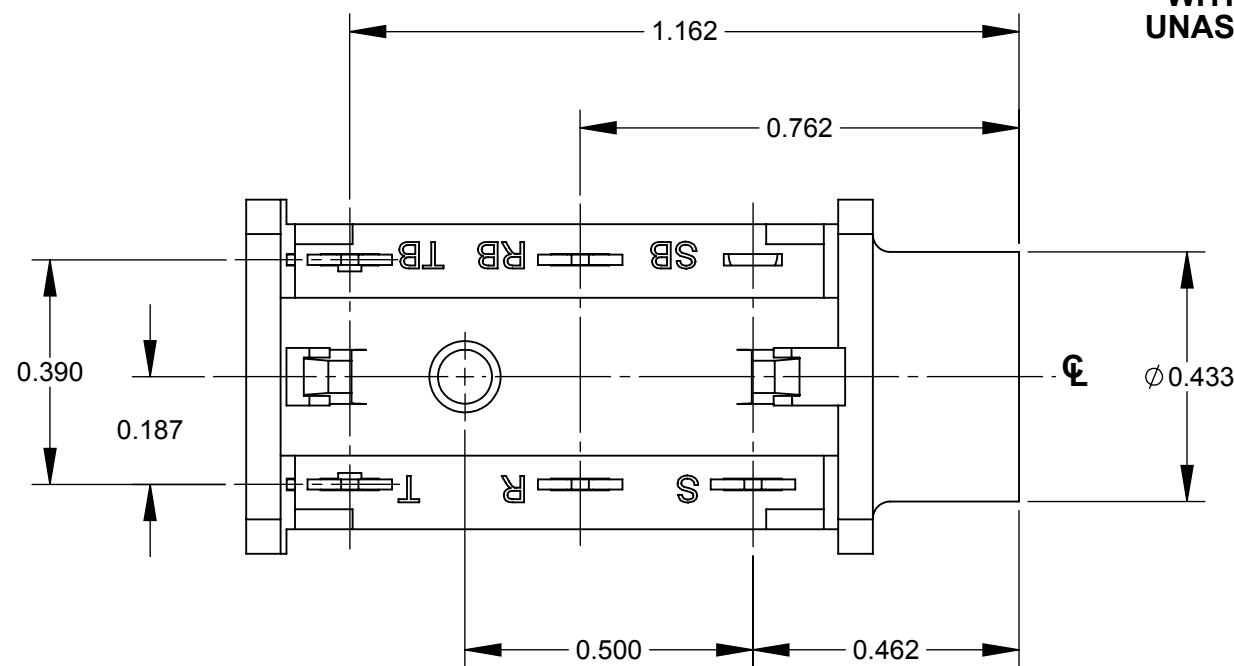
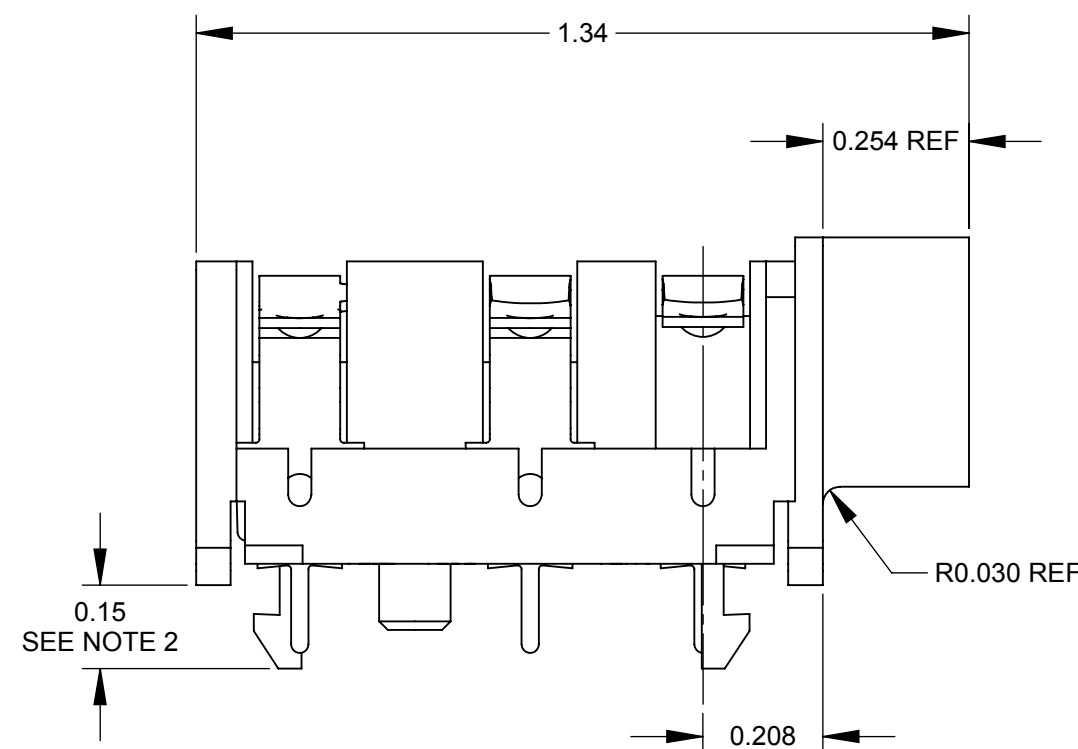
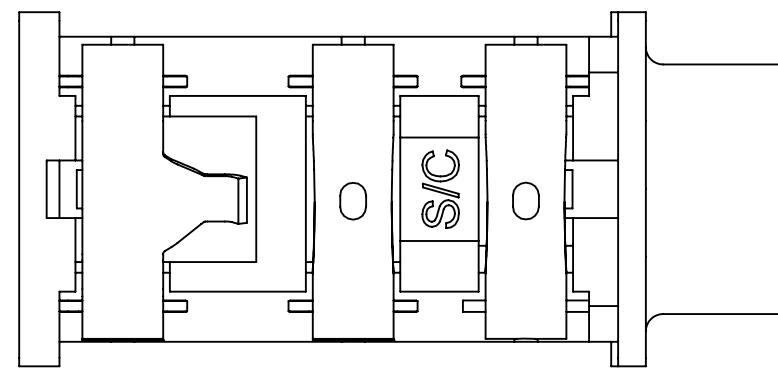
**SN37A12A**



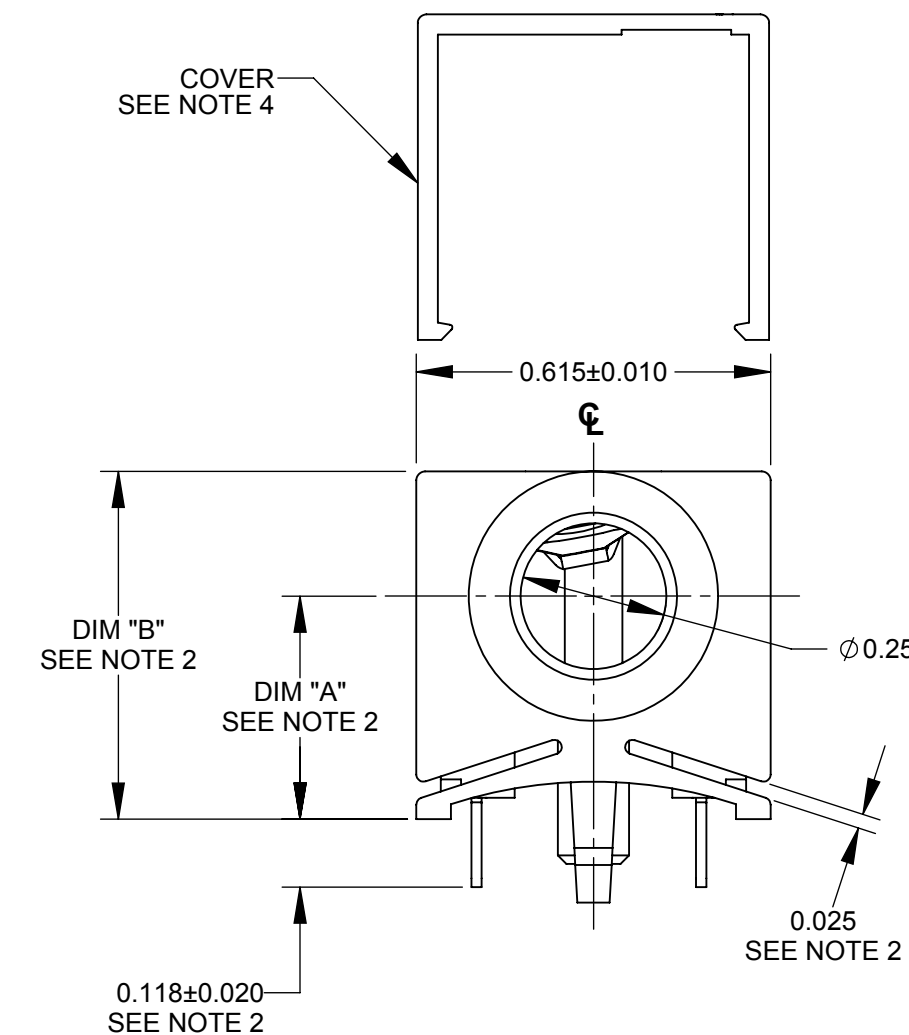
**SN37A12B**



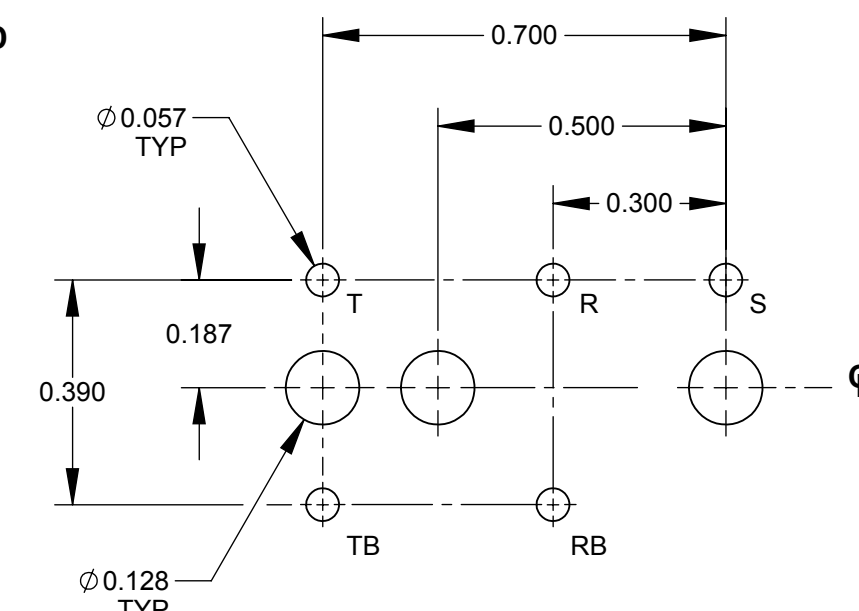
**SN37A14B**



**SHOWN WITH COVER ASSEMBLED**



**SN37A14B SHOWN WITH COVER UNASSEMBLED**



**RECOMMENDED PC BOARD LAYOUT COMPONENT SIDE**

**NOTES:**

- MAY BE USED WITH PC BOARD THICKNESSES RANGING FROM 0.054 - 0.070.
- THESE DIMENSIONS VARY DEPENDING ON PCB THICKNESS. DIMENSIONS SHOWN ARE FREE STATE AS SHIPPED.
- MATERIAL SPECIFICATIONS:  
HOUSING - THERMOPLASTIC, BLACK  
SPRINGS - SPECIAL COPPER ALLOY, TINNED  
COVER - THERMOPLASTIC, BLACK
- COVER SHIPPED ASSEMBLED ON ALL PART NUMBERS.
- THESE PRODUCTS ARE RoHS COMPLIANT.

| PART NUMBER | DIM "A"    |                      | DIM "B"    |                      |
|-------------|------------|----------------------|------------|----------------------|
|             | FREE STATE | WITH 0.062 THICK PCB | FREE STATE | WITH 0.062 THICK PCB |
| SN37A11     | 0.387      | 0.375                | 0.604      | 0.592                |
| SN37A12A    | 0.387      | 0.375                | 0.604      | 0.592                |
| SN37A12B    | 0.387      | 0.375                | 0.604      | 0.592                |
| SN37A14B    | 0.387      | 0.375                | 0.604      | 0.592                |

| REV       | ECO NUMBER                        | DATE     | BY | APVD |
|-----------|-----------------------------------|----------|----|------|
| F         | CAD REDRAW WAS REV A - ECO #27409 | 11/17/14 | PC | TJK  |
| REVISIONS |                                   |          |    |      |

UNLESS OTHERWISE SPECIFIED  
1. ALL DIMENSIONS IN INCHES  
- TWO PLACE DECIMALS ±0.02  
- THREE PLACE DECIMALS ±0.005

DO NOT SCALE DRAWING

**CUSTOMER DRAWING**

THIS DRAWING DESCRIBES A DESIGN CONSIDERED PROPRIETARY IN NATURE, DEVELOPED AND MANUFACTURED BY SWITCHCRAFT INC. AND IS RELEASED ON A CONFIDENTIAL BASIS FOR IDENTIFICATION PURPOSES ONLY.

|                                   |       |                   |                       |        |
|-----------------------------------|-------|-------------------|-----------------------|--------|
| SIZE                              | WIDTH | MULT              | LBS/M                 | TEMPER |
| FINISH SPEC No.                   |       | MATERIAL SPEC No. |                       |        |
| FIRST USED ON                     |       | SCALE 3:1         |                       |        |
| DATE DRAWN                        | BY    | CHKD              | APVD                  |        |
| 10/01/94                          | ES    | ES                | GHJ                   |        |
|                                   |       | 10/05/94          | 10/05/94              |        |
| NAME PHONE JACK INSULATED BUSHING |       |                   | PART No. SN37A SERIES | REV F  |

SHEET 1 OF 1