

UR20-4AO-UI-16-DIAG

Weidmüller Interface GmbH & Co. KG

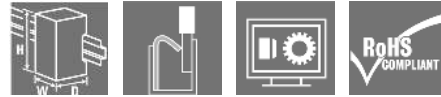
Klingenbergstraße 26

D-32758 Detmold

Germany

www.weidmueller.com

Product image



2- or 4-wire connection; 16-bit resolution; 4 outputs

The analogue output module controls up to 4 analogue actuators with +/-10 V, +/-5 V, 0...10 V, 0...5 V, 2...10 V, 1...5 V, 0...20 mA or 4...20 mA with an accuracy of 0.05% of the measurement-range end value. An actuator with 2-, 3- or 4-wire technology can be connected to each plug-in connector. The measurement range is defined channel-by-channel using parameterisation. In addition, each channel has its own status LED.

The outputs are supplied from the output current path (U_{OUT}).

General ordering data

| | |
|-------------------|--|
| Version | Remote I/O module, IP20, Analog signals, Output, 4-channel, Current/Voltage |
| Order No. | 1315730000 |
| Type | UR20-4AO-UI-16-DIAG |
| GTIN (EAN) | 4050118118667 |
| Qty. | 1 pc(s). |
| Replacement parts | 1350930000 1518880000 1347330000 |

UR20-4AO-UI-16-DIAG

Weidmüller Interface GmbH & Co. KG

Klingenbergstraße 26

D-32758 Detmold

Germany

www.weidmueller.com

Technical data

Dimensions and weights

| | | | |
|-----------------------------|---------|-----------------|------------|
| Depth | 76 mm | Depth (inches) | 2.992 inch |
| Height | 120 mm | Height (inches) | 4.724 inch |
| Width | 11.5 mm | Width (inches) | 0.453 inch |
| Mounting dimension - height | 128 mm | Net weight | 86 g |

Temperatures

| | | | |
|-----------------------------|-------------------|-----------------------------|-------------------|
| Storage temperature | -40 °C ... +85 °C | Operating temperature | -20 °C ... +60 °C |
| Operating temperature, min. | -20 °C | Operating temperature, max. | 60 °C |

analogue outputs

| | | | |
|--------------------------------------|---|--------|--|
| Accuracy | ±0,1 % FSR max., 0,05 % FSR typ. | | |
| Actuator connection | 2-wire (automatic detection), 4-wire | | |
| Actuator supply | min. | 0 mA | |
| | nominal | 185 mA | |
| | max. | 185 mA | |
| Cross-talk between the channels | 0.001 % FSR | | |
| Individual channel diagnosis | Yes | | |
| Load impedance current | < 600 Ω | | |
| Max. error between T min. and T max. | 220 ppm FSR | | |
| Module diagnosis | Yes | | |
| Monotonicity | Yes | | |
| Number of analogue outputs | 4 | | |
| Output current as per application | min. | 0 mA | |
| | nominal | 185 mA | |
| | max. | 185 mA | |
| Output variable | Voltage (0...5 V, 0...10 V, 1...5 V, 2...10 V, ±10 V, ±5 V), Current (0...20 mA or 4...20 mA) | | |
| Repeat accuracy | < 1 mV eff. | | |
| Resolution | 16 Bit | | |
| Response time | 1 ms / 4 channels | | |
| Short-circuit-proof | Yes | | |
| Simultaneity factor | min. | 0 % | |
| | nominal | 100 % | |
| | max. | 100 % | |
| Substitute values | Yes | | |
| Temperature coefficient | 20 ppm voltage / 31 ppm current measurement / °K | | |
| Type | 1. U (0...5 V, 0...10 V, 1...5 V, 2...10 V, ±10 V), 2. I (0-20 mA or 4-20 mA) | | |
| load impedance voltage | > 1 kΩ (at >50 °C ambient temperature, max. total sensor current = 25 mA) | | |

Connection data

| | | | |
|--|----------------------|--|----------------------|
| Type of connection | PUSH IN | Wire connection cross section, finely stranded, max. | 1.5 mm ² |
| Wire connection cross section, finely stranded, min. | 0.14 mm ² | Wire cross-section, finely stranded, max. (AWG) | AWG 16 |
| Wire cross-section, finely stranded, min. (AWG) | AWG 26 | Wire cross-section, solid, max. | 1.5 mm ² |
| Wire cross-section, solid, max. (AWG) | AWG 16 | Wire cross-section, solid, min. | 0.14 mm ² |
| Wire cross-section, solid, min. (AWG) | AWG 26 | | |

UR20-4AO-UI-16-DIAG

Weidmüller Interface GmbH & Co. KG

Klingenbergstraße 26

D-32758 Detmold

Germany

www.weidmueller.com

Technical data

General data

| | | | |
|--------------------------|--|---------------------------|--|
| Air humidity (operation) | 10% to 95%, non-condensing as per DIN EN 61131-2 | Air humidity (storage) | 10% to 95%, non-condensing as per DIN EN 61131-2 |
| Air humidity (transport) | 10% to 95%, non-condensing as per DIN EN 61131-2 | Air pressure (operation) | ≥ 795 hPa (height ≤ 2000 m) as per DIN EN 61131-2 |
| Air pressure (storage) | 1013 hPa (height 0 m) to 700 hPa (height 3000 m) as per DIN EN 61131-2 | Air pressure (transport) | 1013 hPa (height 0 m) to 700 hPa (height 3000 m) as per DIN EN 61131-2 |
| Pollution severity | 2 | Rail | TS 35 |
| Shock | 15 g over 11 ms, half sinus wave, acc. to IEC 60068-2-27 | Surge voltage category | II |
| Test voltage | 500 V | UL 94 flammability rating | V-0 |
| Vibration resistance | 5 Hz ≤ f ≤ 8.4 Hz: 3.5-mm amplitude as per IEC 60068-2-6, 8.4 Hz ≤ f ≤ 150 Hz: 1 g acceleration as per IEC 60068-2-6 | | |

Power supply

| | | | |
|--|--|--|------|
| Current consumption from I _{OUT} (the respective power segment) | 85 mA | Current consumption from I _{sys} , typ. | 8 mA |
| Voltage supply | 24 V DC +20 %/ -15 %, via the system bus | | |

System data

| | | | |
|--|------------------------------------|--------------------|--|
| Diagnostic data | 2 Bit | Field bus protocol | CANopen, DeviceNet, EtherCAT, EtherNet/IP, Modbus/TCP, PROFINET IRT, PROFIBUS DP-V1, POWERLINK |
| Galvanic isolation | 500 V DC between the current paths | Interface | u-remote system bus |
| Module type | Analogue output module | Process data | 8 Byte |
| Transmission speed of system bus, max. | 48 Mbit | | |

Classifications

| | | | |
|-------------|-------------|-------------|-------------|
| ETIM 6.0 | EC001596 | ETIM 7.0 | EC001596 |
| ETIM 8.0 | EC001596 | ECLASS 9.0 | 27-24-26-01 |
| ECLASS 9.1 | 27-24-26-01 | ECLASS 10.0 | 27-24-26-01 |
| ECLASS 11.0 | 27-24-26-01 | ECLASS 12.0 | 27-24-26-01 |

Environmental Product Compliance

| | |
|------------|--------------------------------------|
| REACH SVHC | Lead 7439-92-1 |
| SCIP | 82327f13-cd27-455a-ab5b-a62e1996dcf8 |

UR20-4AO-UI-16-DIAG

Weidmüller Interface GmbH & Co. KG
 Klingenbergstraße 26
 D-32758 Detmold
 Germany

www.weidmueller.com

Technical data

Approvals

Approvals



| | |
|---------------------------|------------|
| ROHS | Conform |
| UL File Number Search | UL Website |
| Certificate no. (cULus) | E141197 |
| Certificate no. (cULusEX) | E223527 |

Downloads

| | |
|---|--|
| Approval/Certificate/Document of Conformity | DEMKO15ATEX1525X UKCA Declaration of Conformity - EN CE Declaration of Conformity - DE |
| Engineering Data | CAD data – STEP Compatibility information – Combinability of UR20 |
| Engineering Data | WSCAD, Zuken E3.S |
| Product Change Notification | Release-Notes - Firmware |
| Software | Firmware – Archive firmware UR20-4AO-UI Firmware – Current firmware UR20-4AO-UI |
| User Documentation | MAN_U-REMOTE_DE MAN_U-REMOTE_EN |
| Catalogues | Catalogues in PDF-format |

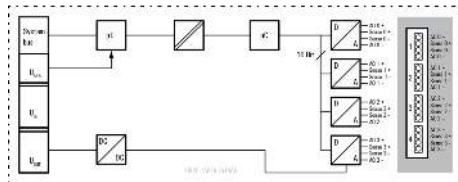
UR20-4AO-UI-16-DIAG

Weidmüller Interface GmbH & Co. KG
 Klingenbergstraße 26
 D-32758 Detmold
 Germany

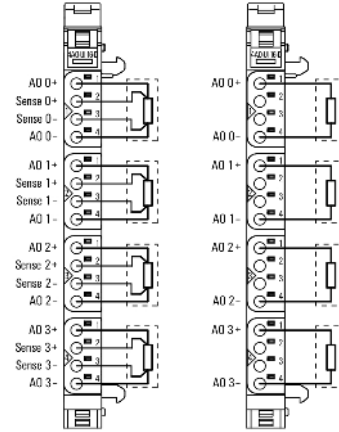
www.weidmueller.com

Drawings

Block diagram

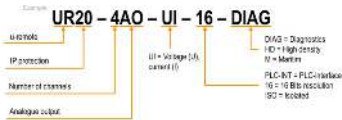


Connection diagram



Explanation of abbreviations

Analogue output modules



UR20-4AO-UI-16-DIAG

Weidmüller Interface GmbH & Co. KG
 Klingenbergstraße 26
 D-32758 Detmold
 Germany

www.weidmueller.com

Accessories

Accessories

**Potential-distribution modules; system accessory**

A wide range of accessory modules is available for individual requirements of machine and plant engineering. Various potential distribution modules are available for the supply of sensors with 2- to 4-wire connection technology directly from the remote I/O system. These offer 16 "PUSH IN" potential points and supply your application with any auxiliary potential available. An empty module, where the system bus and voltage supply are looped through, allows you to plan expansion slots in a system and to start these up without any interruptions if required.

General ordering data

| | | |
|------------|----------------------------|----------------|
| Type | UR20-SM-ACC | Version |
| Order No. | 1339920000 | Cover, , |
| GTIN (EAN) | 4050118144727 | |
| Qty. | 20 pc(s). | |
| Type | UR20-EBK-ACC | Version |
| Order No. | 1346610000 | End bracket, , |
| GTIN (EAN) | 4050118151596 | |
| Qty. | 5 pc(s). | |

Stainless steel

Stainless steel is a collective term for all types of steel (alloys) with a high degree of purity and corrosion resistance.

General ordering data

| | | |
|------------|----------------------------|--|
| Type | TS 35X7.5 2M/CRN | Version |
| Order No. | 1747350000 | Rail, TS 35, TS 35 x 7.5, without slot, Stainless steel, rust-proof, |
| GTIN (EAN) | 4032248003372 | Stainless steel 1.4301, untreated |
| Qty. | 2 m | |

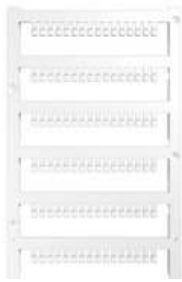
UR20-4AO-UI-16-DIAG

Weidmüller Interface GmbH & Co. KG
 Klingenbergstraße 26
 D-32758 Detmold
 Germany

www.weidmueller.com

Accessories

Blank



General ordering data

| Type | PM 2.7/2.6 MC NE WS | Version |
|------------|----------------------------|---|
| Order No. | 1323710000 | OMNIMATE Signal - series PM, Pusher markers, 2.7 x 2.6 mm, Pitch in |
| GTIN (EAN) | 4050118126778 | mm (P): 3.50 Weidmueller, white |
| Qty. | 960 pc(s). | |

Custom printing



The Dekafix (DEK) marker is the universal marker for all conductor and plug-in connectors as well as for electronic sub-assemblies. The system is ideal for short number sequences and covers a wide range of ready-printed markers.

Strips for fast installation in only one work step. The printing is easy to read, rich in contrast and available in various widths.

- Large range of ready-to-use markers
- Strips for fast installation
- Terminal markers, suitable for all Weidmüller cable connectors
- Available as blank MultiCard or with standard printing

For custom printing: Please send us a file of our labeling software M-Print PRO or M-Print PRO Online (without installation) for your labeling specifications.

General ordering data

| Type | DEK 5/8-11.5 MC SDR | Version |
|------------|----------------------------|---|
| Order No. | 1341610000 | Dekafix, Terminal marker, 5 x 8 mm, Pitch in mm (P): 8.00 |
| GTIN (EAN) | 4050118146059 | Weidmueller, To customer specification |
| Qty. | 100 pc(s). | |

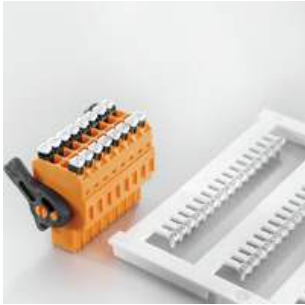
UR20-4AO-UI-16-DIAG

Weidmüller Interface GmbH & Co. KG
 Klingenbergstraße 26
 D-32758 Detmold
 Germany

www.weidmueller.com

Accessories

Custom printing



General ordering data

| | | | |
|------------|----------------------------|---------|---|
| Type | PM 2.7/2.6 MC SDR | Version | OMNIMATE Signal - series PM, Pusher markers, 2.7 x 2.6 mm, Pitch in |
| Order No. | 1323700000 | | mm (P): 3.50 Weidmueller, To customer specification |
| GTIN (EAN) | 4050118126761 | | |
| Qty. | 192 pc(s). | | |

Aluminum



Aluminum has the second best electrical conductivity after copper. One advantage is low weight, anMiscellaneous is outstanding corrosion protection.

General ordering data

| | | | |
|------------|----------------------------|---------|--|
| Type | TS 35X7.5 2M/AL/BK | Version | Rail, TS 35, TS 35 x 7.5, without slot, Aluminium, untreated |
| Order No. | 0330800000 | | |
| GTIN (EAN) | 4008190100650 | | |
| Qty. | 2 m | | |

UR20-4AO-UI-16-DIAG

Weidmüller Interface GmbH & Co. KG
 Klingenbergstraße 26
 D-32758 Detmold
 Germany

www.weidmueller.com

Accessories

Steel



Steel DIN rails are the most widespread on the market. Among metal DIN rails, they have the lowest shortcircuit protection, similar to stainless steel.

General ordering data

| | | |
|------------|---------------------------|--|
| Type | TS 35X7.5/LL 2M/ST/ZN | Version |
| Order No. | 051450000 | Rail, TS 35, TS 35 x 7.5, with slot, Steel, galvanic zinc plated and passivated |
| GTIN (EAN) | 4008190046019 | |
| Qty. | 2 m | |
| Type | TS 35X7.5/LL 1M/ST/ZN | Version |
| Order No. | 051451000 | Rail, TS 35, TS 35 x 7.5, with slot, Steel, galvanic zinc plated and passivated |
| GTIN (EAN) | 4008190116620 | |
| Qty. | 1 m | |
| Type | TS 35X7.5/LL 2M/ST/SZ | Version |
| Order No. | 791506000 | Rail, TS 35, TS 35 x 7.5, with slot, Steel, galvanic zinc plated and passivated |
| GTIN (EAN) | 4032248296279 | |
| Qty. | 2 m | |
| Type | TS 35X7.5 2M/ST/ZN | Version |
| Order No. | 038340000 | Rail, TS 35, TS 35 x 7.5, without slot, Steel, galvanic zinc plated and passivated |
| GTIN (EAN) | 4008190088026 | |
| Qty. | 2 m | |

UR20-4AO-UI-16-DIAG

Weidmüller Interface GmbH & Co. KG
 Klingenbergstraße 26
 D-32758 Detmold
 Germany

www.weidmueller.com

Accessories

Blank



The Dekafix (DEK) marker is the universal marker for all conductor and plug-in connectors as well as for electronic sub-assemblies. The system is ideal for short number sequences and covers a wide range of ready-printed markers.

Strips for fast installation in only one work step. The printing is easy to read, rich in contrast and available in various widths.

- Large range of ready-to-use markers
- Strips for fast installation
- Terminal markers, suitable for all Weidmüller cable connectors
- Available as blank MultiCard or with standard printing

For custom printing: Please send us a file of our labeling software M-Print PRO or M-Print PRO Online (without installation) for your labeling specifications.

General ordering data

| | | | |
|------------|----------------------------|---|--|
| Type | DEK 5/8-11.5 MC NE WS | Version | |
| Order No. | 1341630000 | Dekafix, Terminal marker, 5 x 8 mm, Pitch in mm (P): 8.00 | |
| GTIN (EAN) | 4050118145946 | Weidmueller, white | |
| Qty. | 500 pc(s). | | |

UR20-4AO-UI-16-DIAG

Weidmüller Interface GmbH & Co. KG
 Klingenbergstraße 26
 D-32758 Detmold
 Germany

www.weidmueller.com

Replacement parts

Electronic modules



General ordering data

| | | |
|------------|----------------------------|------------------|
| Type | UR20-EM-1315730000-SP | Version |
| Order No. | 1347330000 | Replacement part |
| GTIN (EAN) | 4050118152012 | |
| Qty. | 1 pc(s). | |

Plugkit



General ordering data

| | | |
|------------|----------------------------|------------------|
| Type | UR20-PK-1315730000-SP | Version |
| Order No. | 1518880000 | Replacement part |
| GTIN (EAN) | 4050118326512 | |
| Qty. | 5 pc(s). | |

Data sheet

UR20-4AO-UI-16-DIAG

Weidmüller Interface GmbH & Co. KG
 Klingenbergstraße 26
 D-32758 Detmold
 Germany

www.weidmueller.com

Replacement parts

Basic modules



General ordering data

| Type | UR20-BM-SP | Version | Packaging |
|------------|----------------------------|---|-----------|
| Order No. | 1350930000 | Replacement part , Flange-mounted housing | Cardboard |
| GTIN (EAN) | 4050118402735 | | box |
| Qty. | 5 pc(s). | | |